

MODI
Rechargeable table light

LOOM
DESIGN





Made for Life

From more to one.

It develops the concept of Minimalism life style to improve human well-being through the technology of high-quality, comfort and sustainability services.

Quality

Feeling of life quality. The appearance keeps simple geometry to bring clean and harmonious feeling. The design gives a reliable in & outdoor lighting tool.



Comfort

Feeling of comfort atmosphere. Color temperature can switch base on different surroundings and visual needs.



Sustainability

We hope to take responsibly to make designs and products and solutions that are efficient, reduce waste and environment friendly.





Product Description

Rechargeable table lamp with a contact charging base. Cordless table lamp providing direct downward and glare-free light. more than 9 hours of battery life. IP65 protection, making it ideal for indoor and outdoor use. Head, rod and base made in corrosion resistant and painted aluminium alloy. Protection with polyester powder coating. Diffuser made in polycarbonate. Product with no visible screws.

Technical Information

Light source: SMD LED Module

Colour temperature: 2700K & 3000K (switchable)

Colour rendering index: CRI > 80

Luminaire connected wattage: 2.2 W

Voltage: DC3.7V

Luminaire luminous flux: 150 lm

Light optics: 100°

Light distribution: Wide

Battery type: 18650 Li-ion battery

Battery capacity: 2200mA×2

Battery charge: <6hrs

Battery life: >9hrs (100% light intensity)

Battery charge protection: Equipped with a self-protection system

Adapter(optional): CLASS II; Input AC100-240V; Output DC5V 1A;

Single contact charging base incl-: 1.5m USB cable

Multi contact charging shelf(optional): Stackable up to 3 levels. One charger shelf charges 6 table lamps together.

Switch: Touch ON/OFF

Dimmer: Touch stepless dimmable 5%-100%

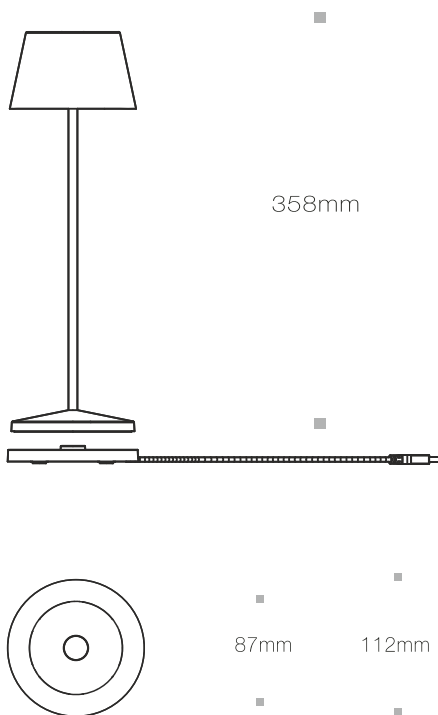
Memory function: Memory of brightness

Protection class: IP65

Impact strength: IK 06

Safety: Class III

Weight: 0.82kg



Finish Available

Matt Black



Matt White

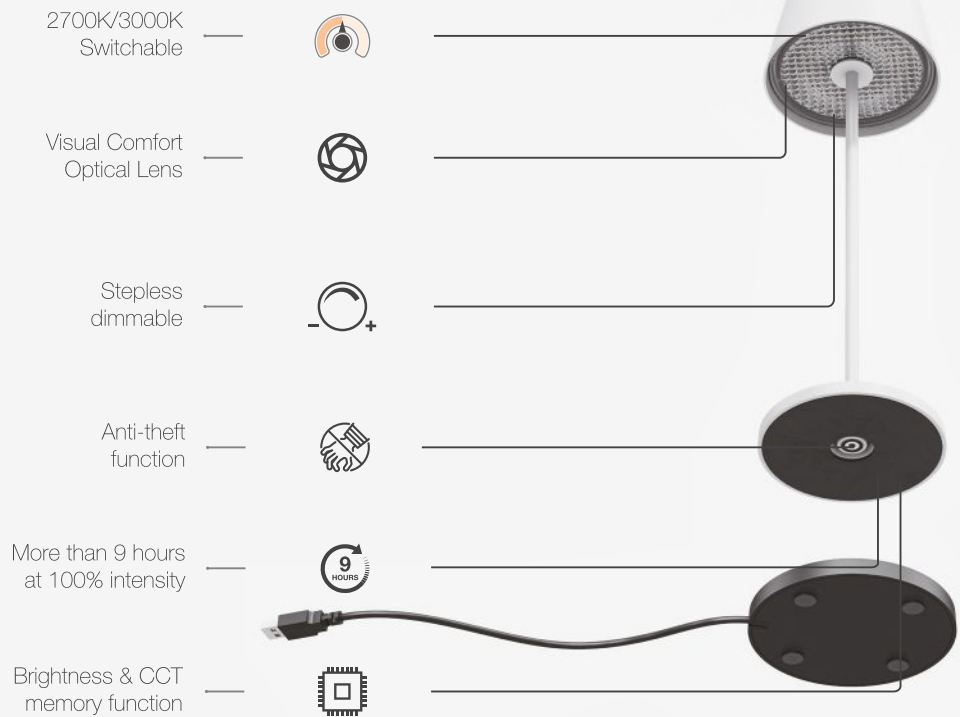


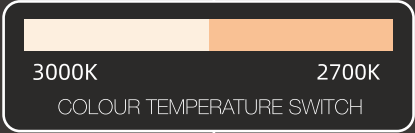
Corten

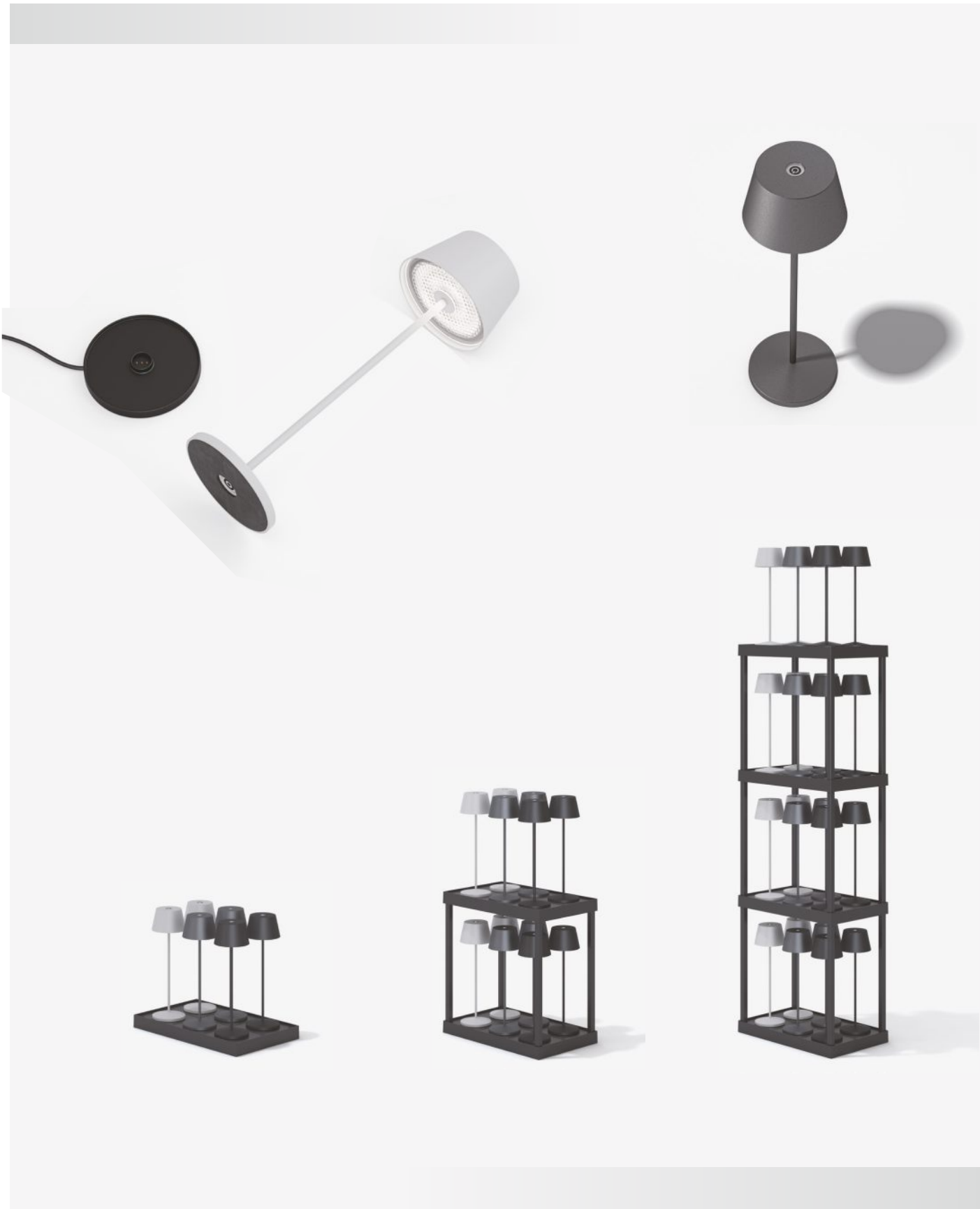


Green Grey



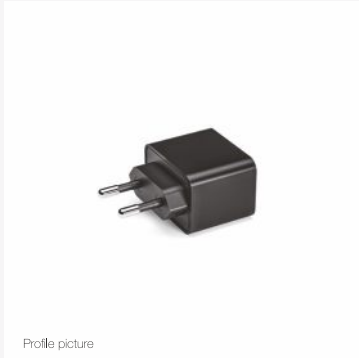








Accessories



Item No.: 806-002

Description: USB Adapter, CLASS II, Input AC100-240V, Output DC5V 1A
White



Item No.: 820-010

Description: Multi contact charging shelf. Stackable up to 3 levels. One chargershelf charges 6 table lamps together.

Incl. charger

Size: L 46 x W 49 x H 4,7 cm

Build a tower of charging shelves - each level is approx 48 cm