



WEVER & DUCRÉ
LIGHTING

RAY mini 2.0

301220W0

Project

Type

Notes

Quantity

Date

GENERAL

Wall

Surface

Signal White

IP20

Interior

Indirect 410^a, 450^b, 455^c lm

Direct 410^a, 450^b, 455^c lm

Total 820^a, 900^b, 910^c lm

9003^d

LED

Lamp 2 x PARI6

PARI6

Socket GU10

max. 12 W

L70 / 50000 h

PHYSICAL

Diameter 67 mm

Height 200 mm

0.36 kg

ELECTRICAL

100 - 240 V

Total connected power 15^c, 16^b, 18^a W

PC1

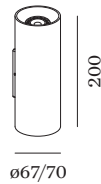
Safety distance 0.3 m

^a LED 1800-2850K CRI 90 silver

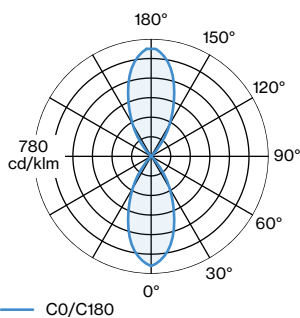
^b LED 3000K CRI 80 white

^c LED 2700K CRI 80 white

^d RAL Palette colors may deviate slightly due to production conditions.



LIGHT DISTRIBUTION





WEVER & DUCRÉ
LIGHTING

RAY mini 2.0

301220W0

LED LAMPS

PAR16 LED Lamp

TYPE	COLOUR	Ø·H (MM)	ORDERCODE
2700K >90 CRI GU10	Jet Black	∅50-58	9 0 1 2 2 8 B 3
3000K >90 CRI GU10	Jet Black	∅50-58	9 0 1 2 2 8 B 5
2700K >80 CRI GU10	Signal White	∅50-58	9 0 1 2 2 8 W 2
2700K >90 CRI GU10	Signal White	∅50-58	9 0 1 2 2 8 W 3
3000K >80 CRI GU10	Signal White	∅50-58	9 0 1 2 2 8 W 4
2700K >80 CRI GU10	Silver/Grey	∅51-55	9 0 5 2 2 7 S 2
3000K >80 CRI GU10	Silver/Grey	∅51-55	9 0 5 2 2 7 S 4

PAR16 LED Lamp | Ambient

TYPE	Ø·H (MM)	ORDERCODE
1800-2850K >90 CRI GU10	∅50-58	9 0 1 2 2 9 S 9