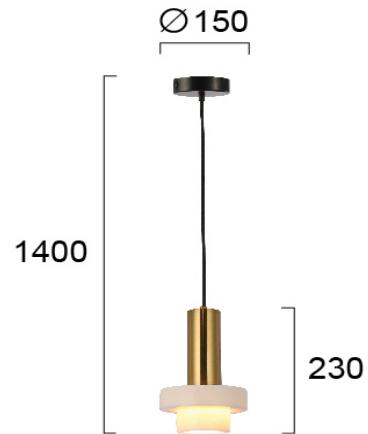




Product Datasheet

Code	4266000
Description	Pendant Light Marble
Family	MARBLE
Type	PENDANT
Type of Lamp	E27
Watt	1 x MAX 60W
Volt	220-240 VAC
Hertz	50-60 Hz
Class	Class II
IP	IP20
Environment	Indoor
Color	WHITE / GOLD
Material	MARBLE / PLATED STEEL
Length	D: 150
Height	H: 1400
Width	h: 230



VIOKEF LIGHTING

Filiati Str, P.O Box28 Gr 19441 Koropi Greece

T: +302106626495 E: inquiry@viokef.com W: www.viokef.com

