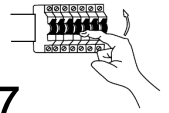
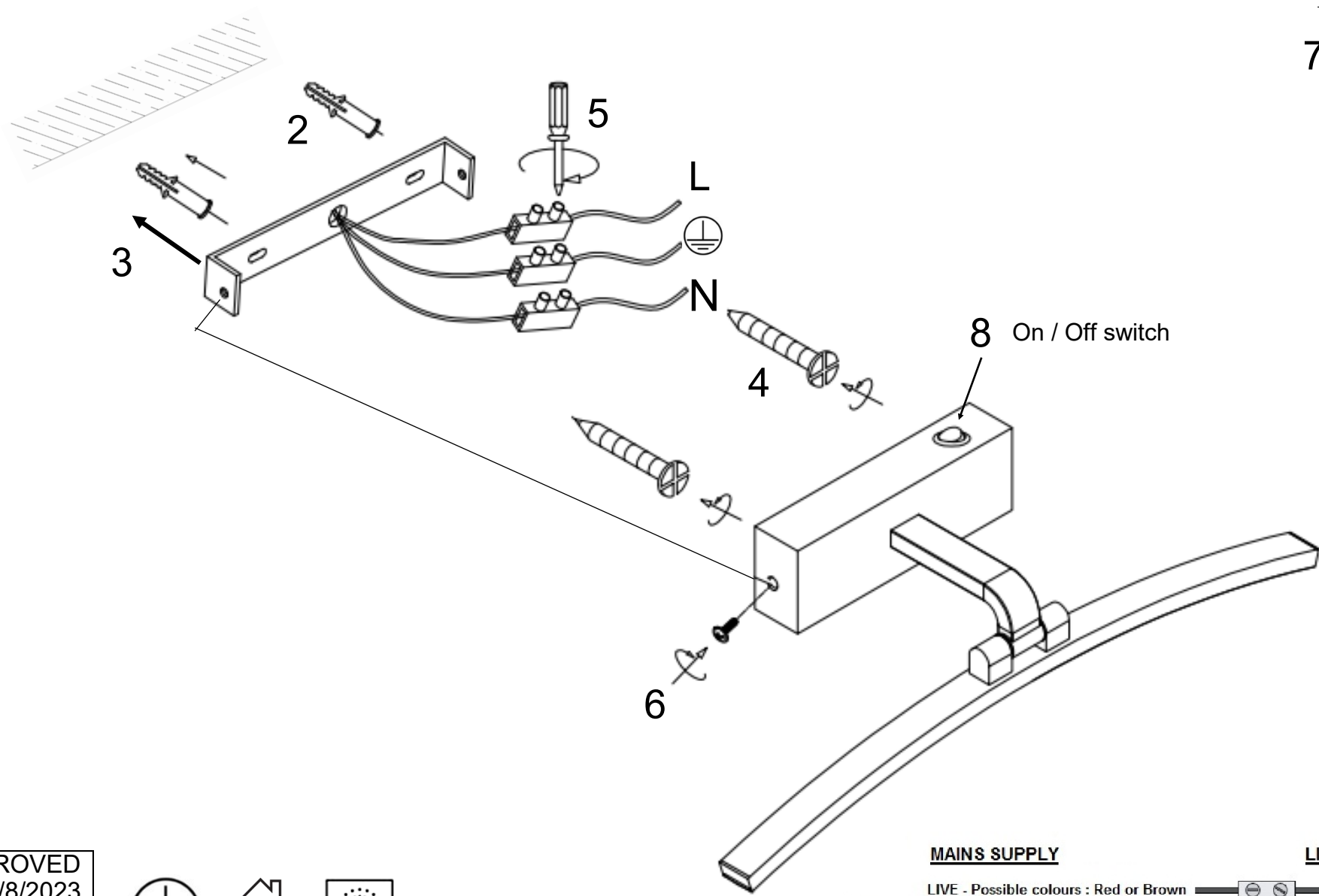


1



7



APPROVED
10/8/2023
ISSUE 2



Non Replaceable

MAINS SUPPLY

LIGHT FITTING

