

Mini Series

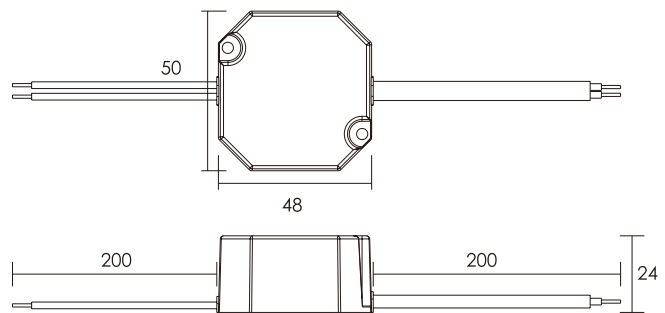
Constant Current LED Driver

LED恒流驱动器

Features:

- Super compact design
- Driver for built-in use
- Primary and secondary sides come with leads
- Protections: opencircuit, shortcircuit, overload, overtemperature
- Simple installation
- SELV equivalent
- Protection class II
- IP65 design

- 紧凑型设计
- 内置式驱动
- 输入和输出端引线型
- 输出开路, 短路, 过载和超温保护
- 安装经济便捷
- 符合安全特低电压标准
- 保护等级 II
- 防护等级IP65



Parameters:

Model No. 型号	Input voltage 额定电压 (V)	Max. output 功率 (W)	Output current 输出电流 (mA)	Output voltage 输出电压 (V)	Power factor 功率因数 (λ)	Efficiency full load 效率 (%)	No-load power 空载功率 (W)	Ambient temperature 环境温度 ta (°C)	Max. casing temperature 最大外壳温度 tc (°C)	Isolation 隔离	Dimensions 尺寸 LxWxH (mm)	Weight 重量 (g)
MINI260mA/12W	100-240	12	260	15-46	0.95	83	<0.5	-20...+50	80	SELV	50x48x24	80
MINI300mA/12W	100-240	12	300	13-40	0.95	83	<0.5	-20...+50	80	SELV	50x48x24	80
MINI350mA/12W	100-240	12	350	11-34	0.95	83	<0.5	-20...+50	80	SELV	50x48x24	80
MINI500mA/12W	100-240	12	500	8-24	0.95	82	<0.5	-20...+50	80	SELV	50x48x24	80
MINI700mA/12W	100-240	12	700	6-17	0.95	82	<0.5	-20...+50	80	SELV	50x48x24	80



CB CE IP65