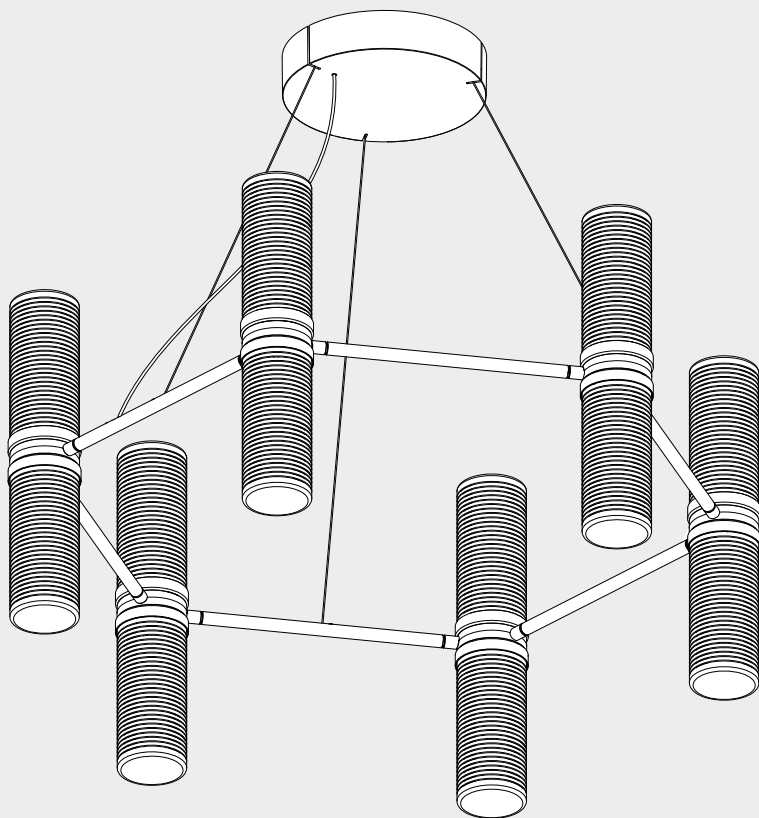


# Artemide®

## ZEPHYR ESAGONONO

design  
Carlo Colombo





i

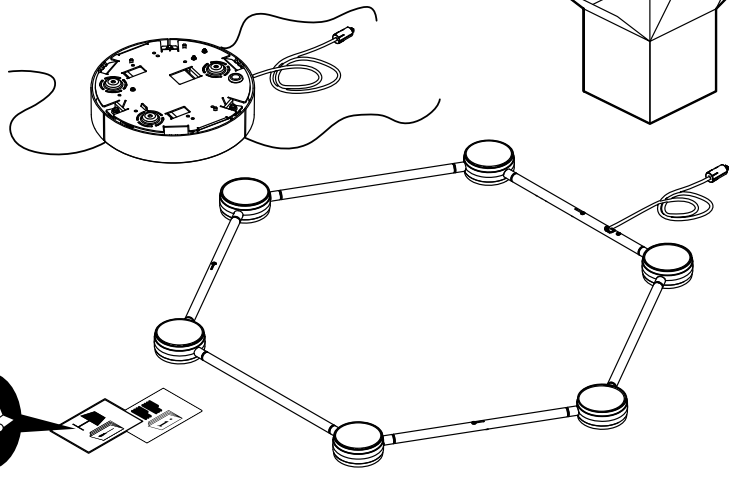
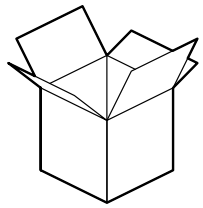
|                  |                     |  |  |             |
|------------------|---------------------|--|--|-------------|
|                  | <b>IP20</b>         |  |  | <b>LED0</b> |
|                  |                     |  |  |             |
| <b>UK<br/>CA</b> | <br>INSULATION<br>B |  |  |             |
|                  |                     |  |  |             |
|                  |                     |  |  |             |

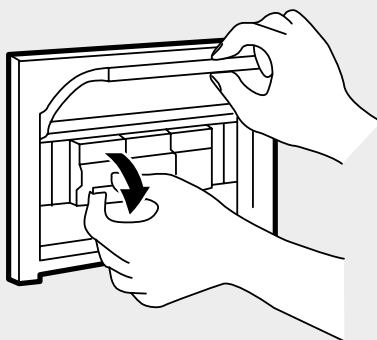
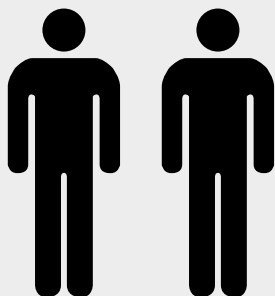
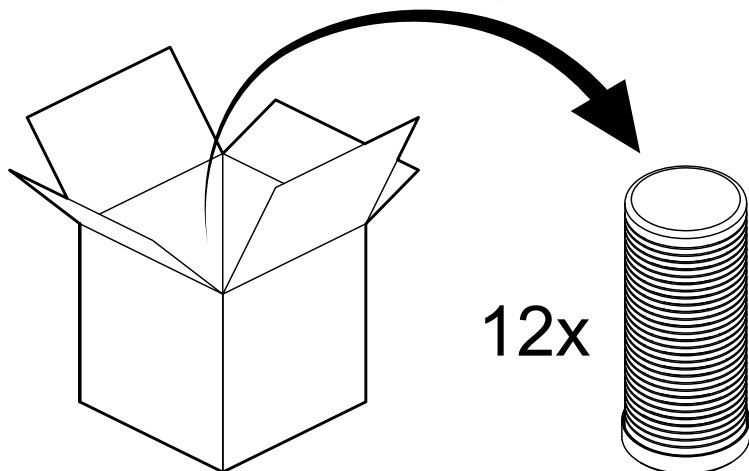
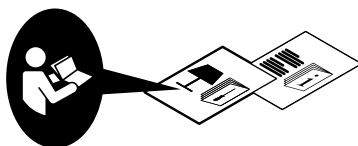


Artemide App  
Quick Starting Guide



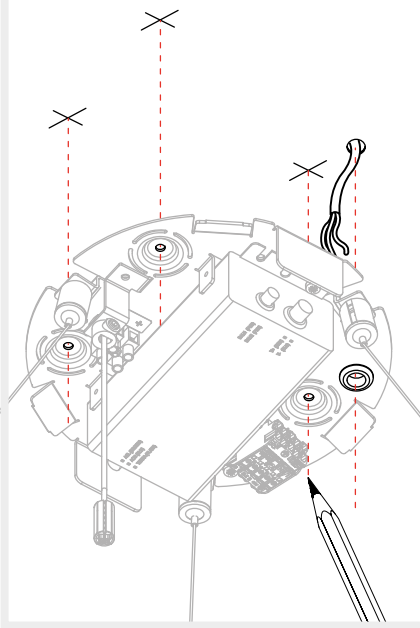
|            |                       |
|------------|-----------------------|
| 17810X0A   | DALI / PUSH POWER KIT |
| 17810X0APP | PUSH / APP POWER KIT  |



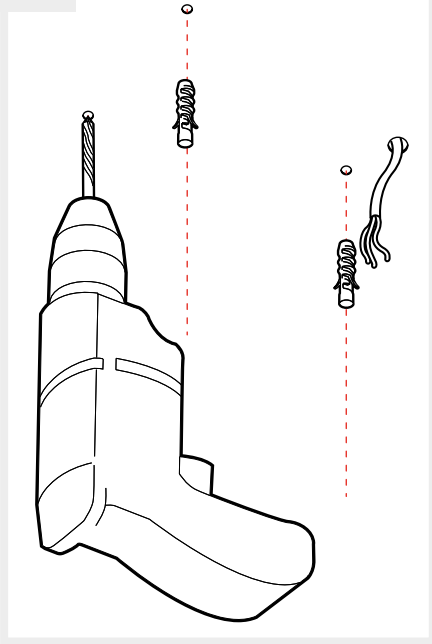




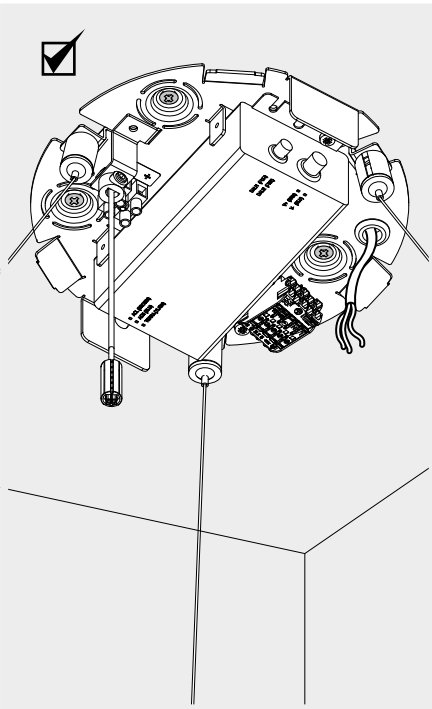
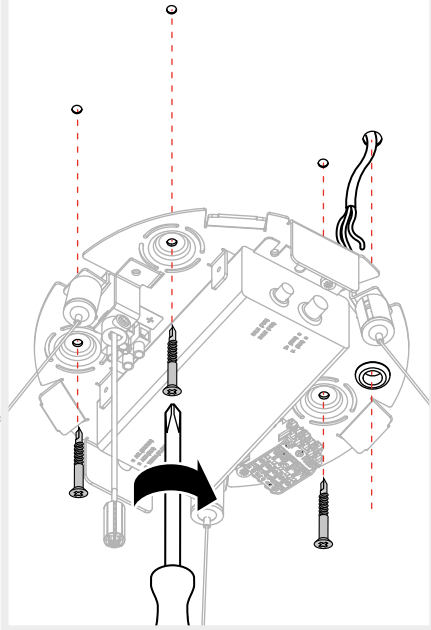
3



4



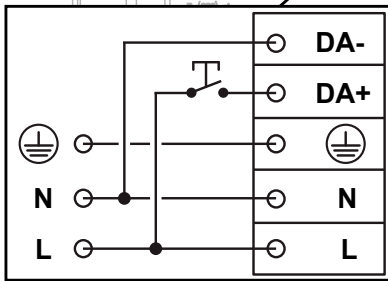
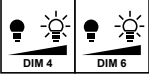
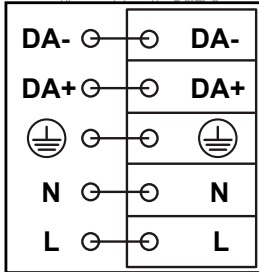
5



6



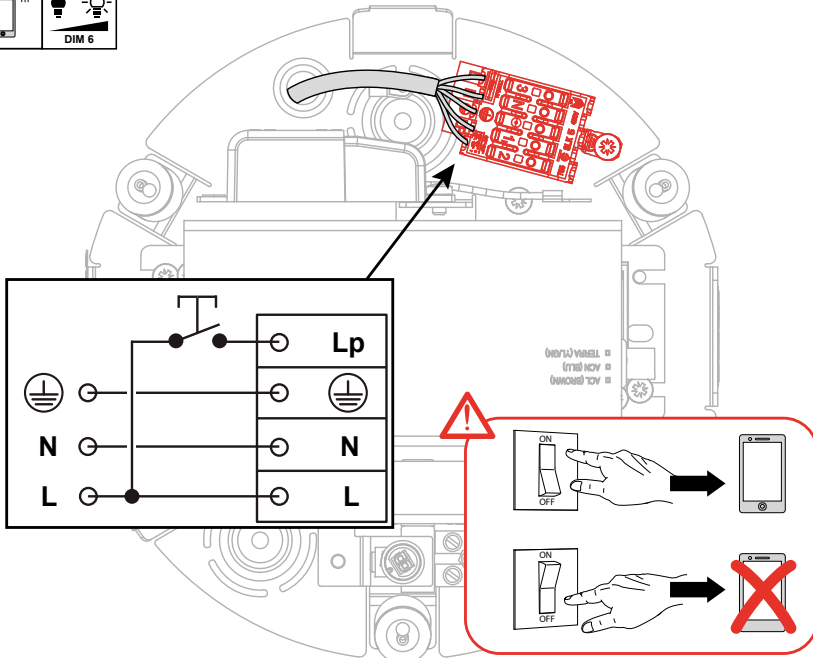
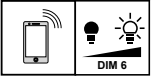
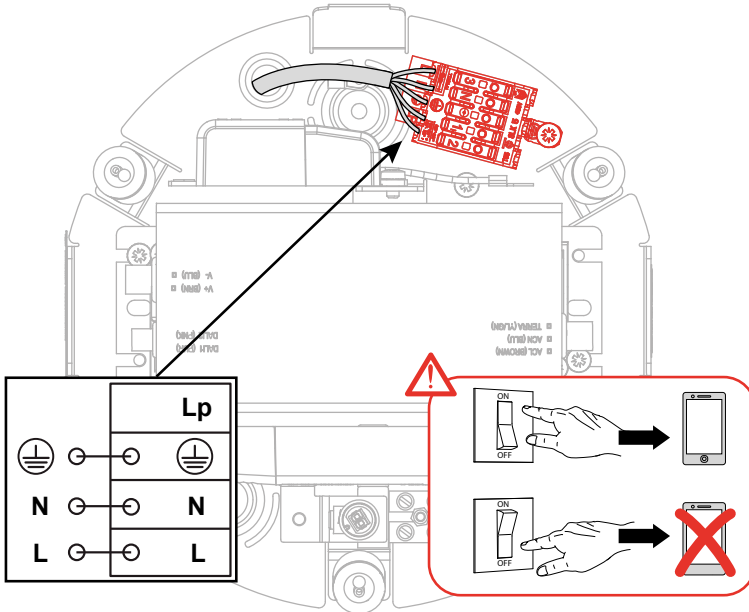
17810X0A



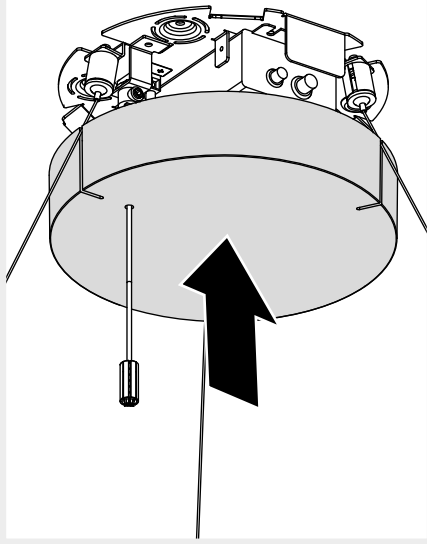
7



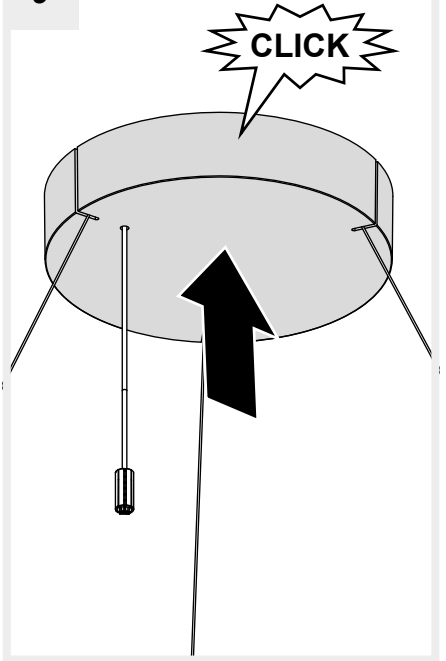
17810X0APP



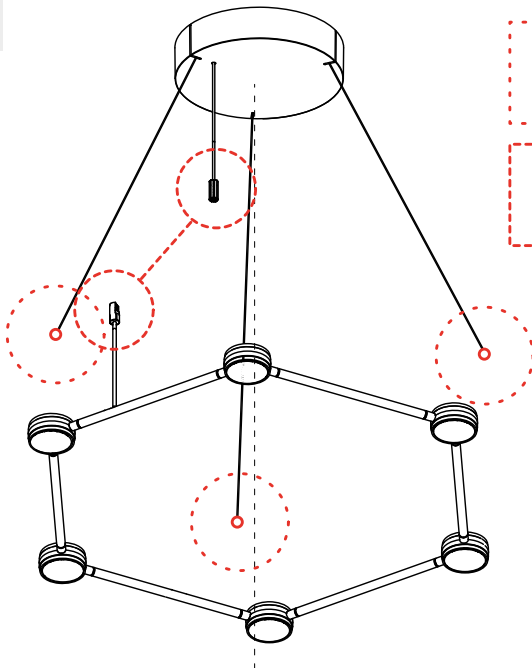
8



9



10

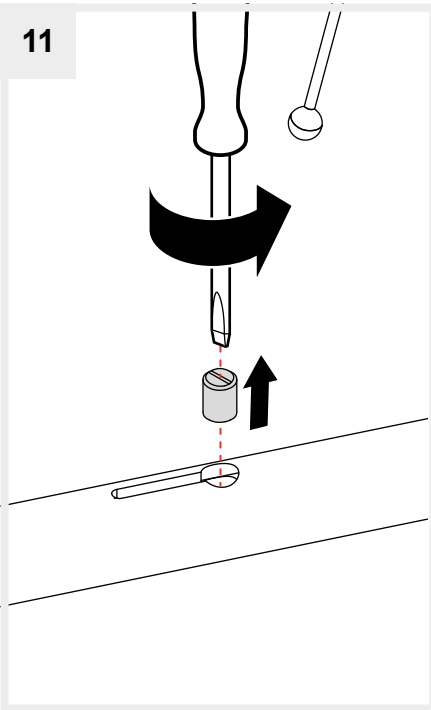


11 → 14

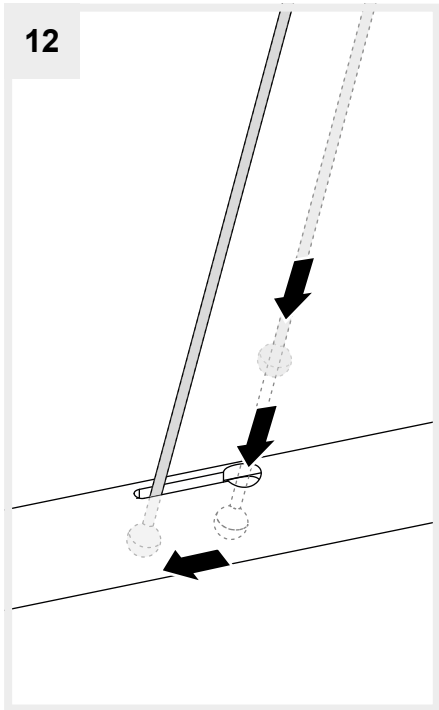
15 → 18



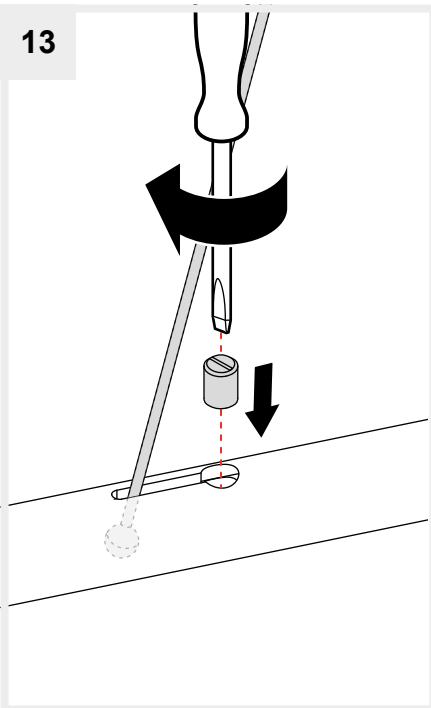
11



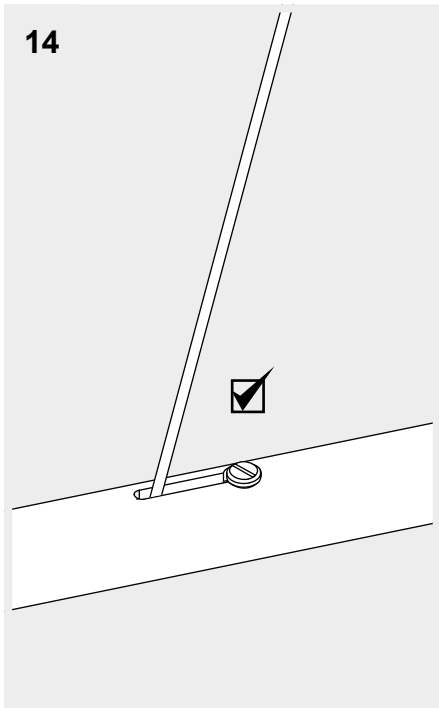
12

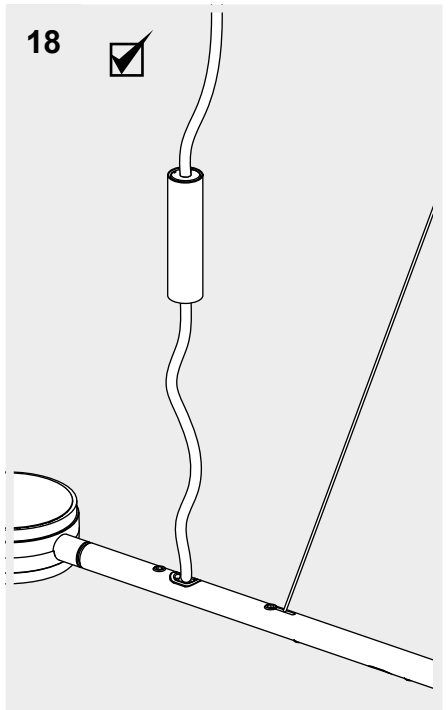
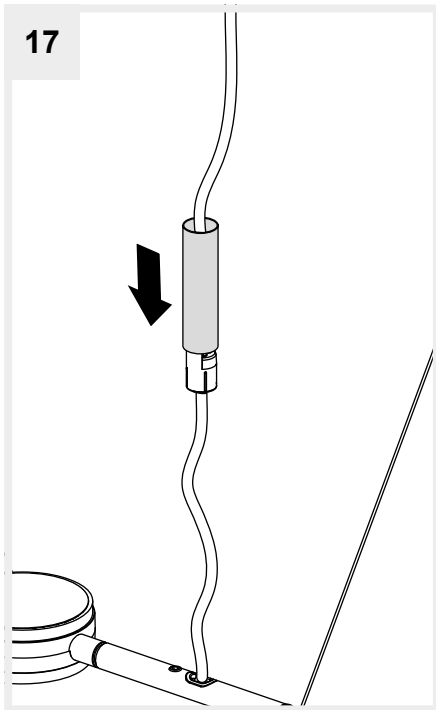
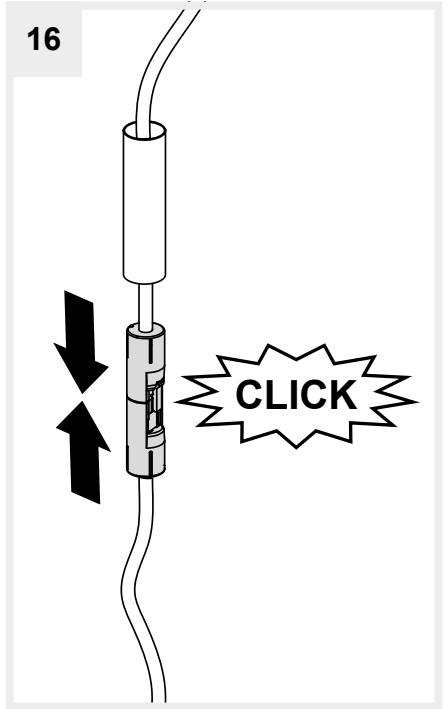
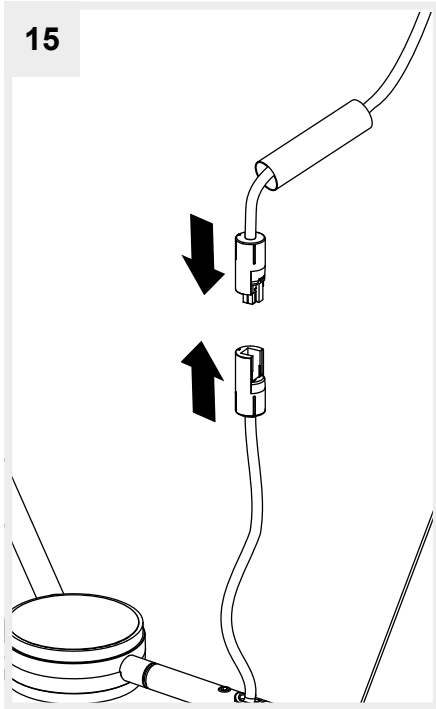


13

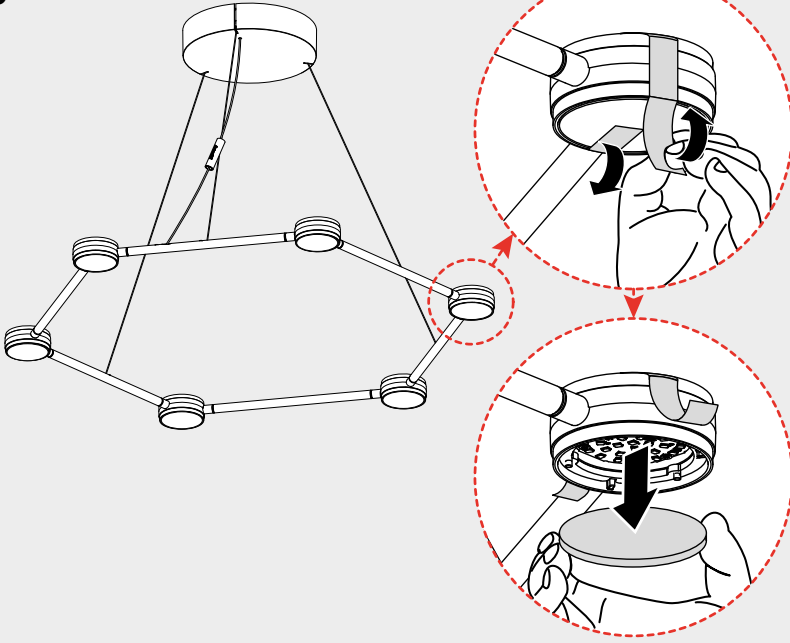


14

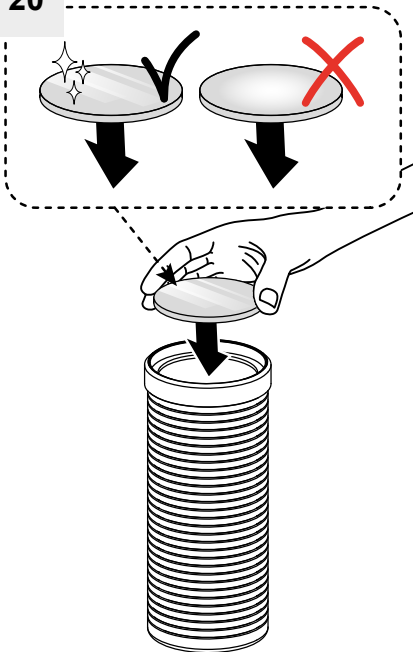




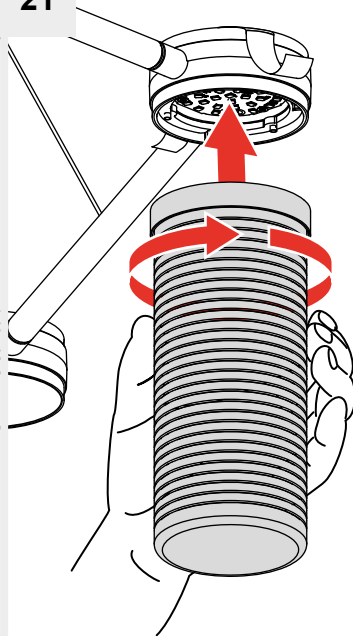
19

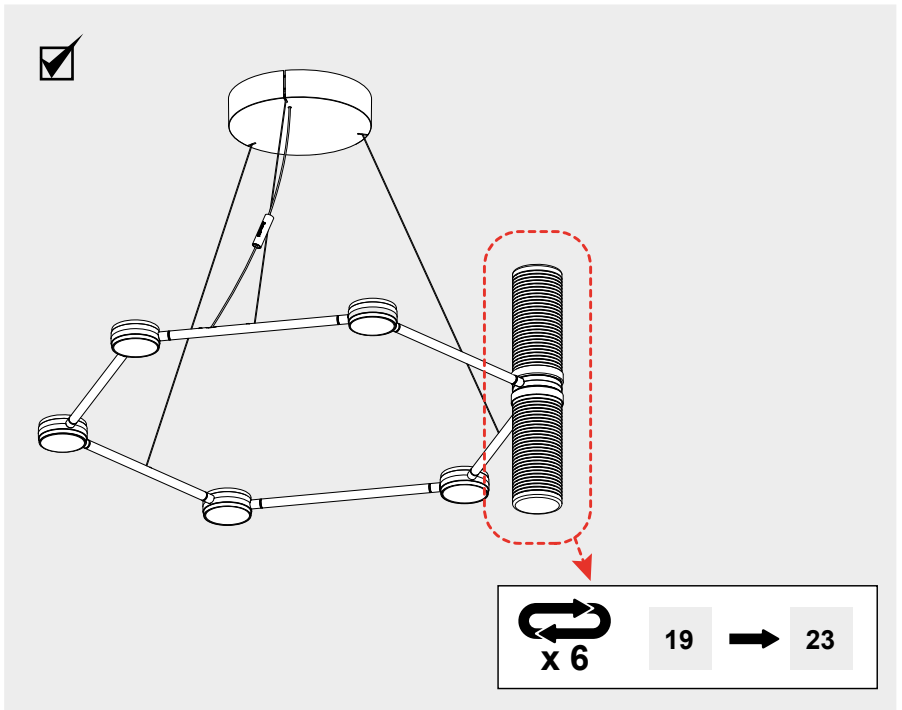
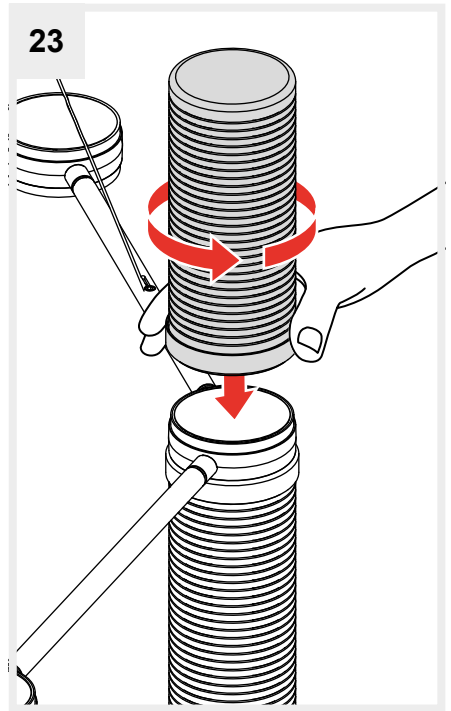
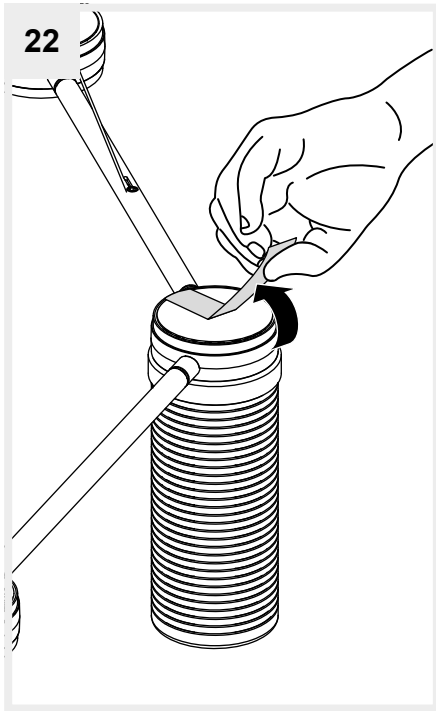


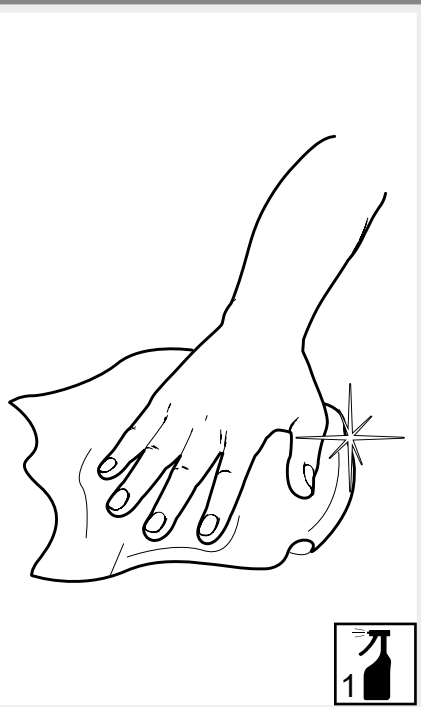
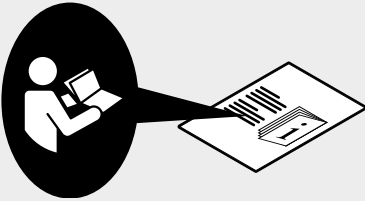
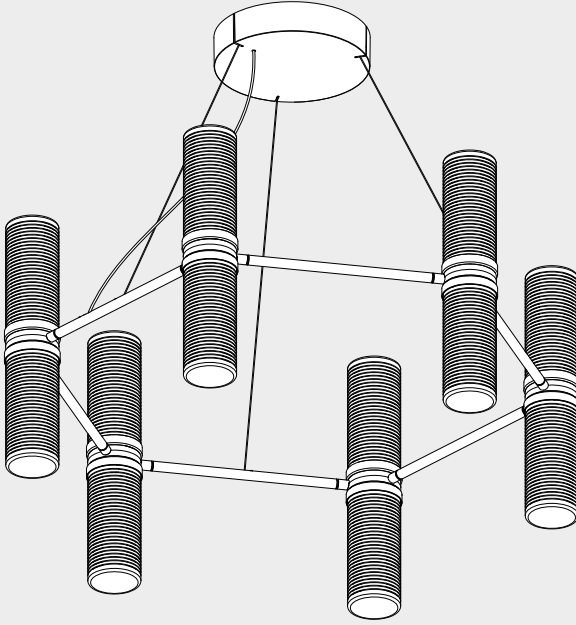
20



21



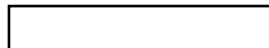








**Artemide®**



**Artemide**

via Bergamo, 18  
20006 Pregnana M.se (MI)  
ITALIA

tel. +39 02 935 181  
fax +39 02 935 90 254  
fax +39 02 935 90 496

[www.artemide.com](http://www.artemide.com)

VAT IT00846890150

cod. Y513002013D