



WEVER & DUCRÉ
LIGHTING

HEXO mini 2.0

301420G0

Project _____

Type _____

Notes _____

Quantity _____

Date _____

GENERAL

Wall _____

Surface _____

Gold _____

IP20 _____

Interior _____

Indirect 405^a, 445^b, 450^c lm _____

Direct 405^a, 445^b, 450^c lm _____

Total 810^a, 890^b, 900^c lm _____

LED

Lamp 2 x PAR16 _____

PAR16 _____

Socket GU10 _____

max. 12 W _____

L70 / 50000 h _____

PHYSICAL

Diameter 77 mm _____

Height 200 mm _____

0.4 kg _____

ELECTRICAL

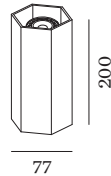
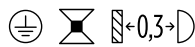
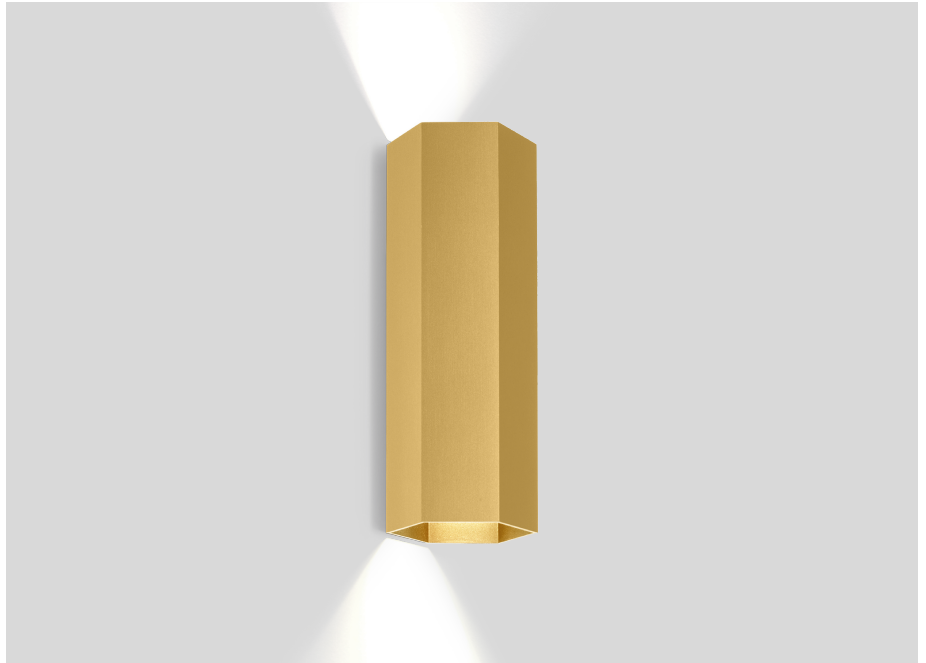
100 - 240 V _____

Total connected power 15^c, 16^b, 18^a W _____

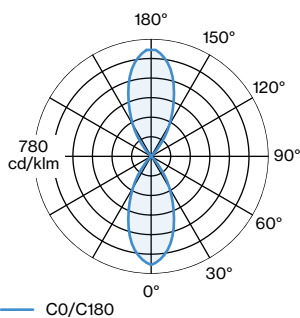
PC1 _____

Safety distance 0.3 m _____

- ^a LED 1800-2850K CRI 90 silver
- ^b LED 3000K CRI 80 white
- ^c LED 2700K CRI 80 white



LIGHT DISTRIBUTION



[301420G0] The technical data represent rated values for an ambient temperature of 25°C. The data values for the luminous flux are initially subject to a tolerance of +/- 10%, those for the electrical connected load are initially subject to a tolerance of +/- 10%, and those for the colour temperature are initially subject to a tolerance of +/- 150 K. No liability is assumed for typographical or printing errors. The general terms and conditions of Wever & Ducré BVBA apply.
© Wever & Ducré BVBA · Spinnerijstraat 99/21 · 8500 Kortrijk · Belgium · www.weverducre.com



WEVER & DUCRÉ
LIGHTING

HEXO mini 2.0

301420G0

LED LAMPS

PAR16 LED Lamp

TYPE	COLOUR	Ø·H (MM)	ORDERCODE
2700K >90 CRI GU10	Jet Black	ø50-58	9 0 1 2 2 8 B 3
3000K >90 CRI GU10	Jet Black	ø50-58	9 0 1 2 2 8 B 5
2700K >80 CRI GU10	Signal White	ø50-58	9 0 1 2 2 8 W 2
2700K >90 CRI GU10	Signal White	ø50-58	9 0 1 2 2 8 W 3
3000K >80 CRI GU10	Signal White	ø50-58	9 0 1 2 2 8 W 4
2700K >80 CRI GU10	Silver/Grey	ø51-55	9 0 5 2 2 7 S 2
3000K >80 CRI GU10	Silver/Grey	ø51-55	9 0 5 2 2 7 S 4

PAR16 LED Lamp | Ambient

TYPE	Ø·H (MM)	ORDERCODE
1800-2850K >90 CRI GU10	ø50-58	9 0 1 2 2 9 S 9