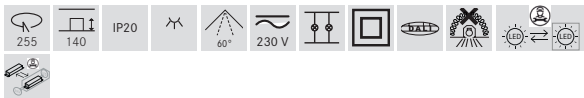
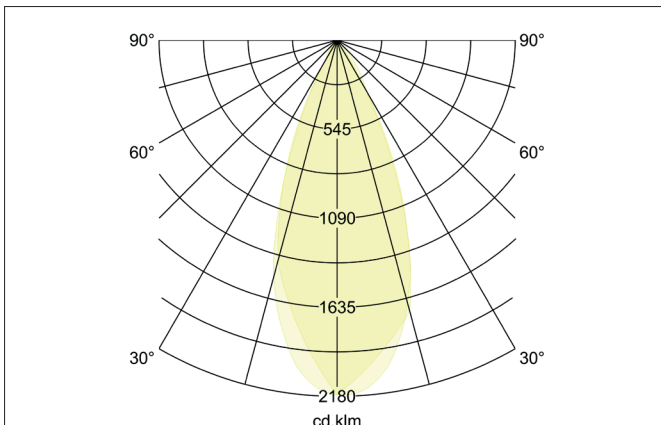
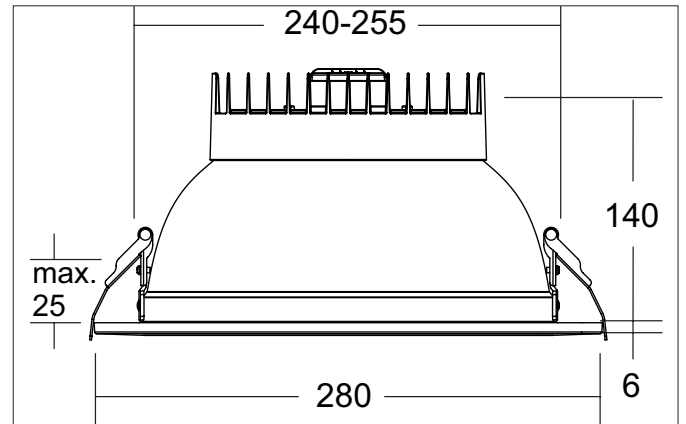




MUNA PRO MEGA LED recessed downlight, 5CCT, UGR<19, DALI dimmable, reflector silver, faceted

Article no. 12769073



Tender
 LED recessed downlight, 5CCT, UGR<19, DALI dimmable, reflector silver, faceted, Round. Toolless ceiling installation by installation springs. Ceiling cut-out Ø 255 mm, Installation depth 140 mm, Outer diameter 280 mm, Weight 1,31 kg, Reflector silver with rotationssymmetrical, deep, wide distributed light intensity. Cover plastic, structured Luminous flux 3.450 - 4.270 lm, UGR < 19, Power 1 x 50 W, Light colour warm white to daylight white, Correlated color temperature (CCT) 2.700 - 5.700 K, Colour rendering index CRI > 90, Rated life time L70/B10 at 25 °C: 80.000 h, Rated life time L80/B50 at 25 °C: 50.000 h, Housing material: Aluminium / Polycarbonate / Steel, Colour: white matt, Permissible ambient temperature (ta): -20 °C up to +25 °C, Protection class (EN 61140): II, Degree of protection (DIN EN 60529): IP20. With electronic driver, DALI-2 dimmable.


MUNA PRO MEGA LED recessed downlight, 5CCT, UGR<19, DALI dimmable, reflector silver, faceted

Article no. 12769073

Product Benefits

- Round recessed downlight made of aluminum with generously dimensioned thermal management.
- 3CCT: 3,000 K, 4,000 K or 5,700 K adjustable.
- High-quality aluminum reflector with lens.
- Simple and tool-free installation.
- UGR < 19.
- Low installation depth of 130 mm, diameter of 280 mm, Ceiling cut-out 240-255 mm.
- Phase section dimmable.
- Cover ring removable and replaceable with black ring (separate accessory).
- Ring in round black or round white also with additional, suspended float glass (partially frosted) (separate accessory).
- Cover frame also available in square in black or white instead of round instead of round (separate accessories).

Article data	
Article no.	12769073
GTIN	4255752524793
Series name	MUNA PRO MEGA
Short description	LED recessed downlight, 5CCT, UGR<19, DALI dimmable, reflector silver, faceted
Material	Aluminium / Polycarbonate / Steel
Colour	white matt
Type of surface	Matt
Shape	Round
Outer diameter	280 mm
Built-in diameter min.	240 mm
Built-in diameter max.	255 mm
Installation depth	140 mm
Hight	7 mm
Scope of delivery	inkl. Konverter mit vergrößertem Anschlussraum zur Durchgangsverdrahtung an 230 V-Netzspannung, DALI dimmbar mit Schalter zur Farbtemperatúrauswahl: 2.700 K / 3.000 K / 3.500 K / 4.000 K / 5.700 K
Weight	1.31 kg
D licence plate	No
Conformance	CE, UKCA



MUNA PRO MEGA LED recessed downlight, 5CCT, UGR<19, DALI dimmable, reflector silver, faceted
Article no. 12769073

Lighting technology	
Colour temperature	2.700 K / 3.000 K / 3.500 K / 4.000 K / 5.700 K
Light colour	white
Color Temperature 1	2,700 K
Color Temperature 2	3,000 K
Color Temperature 3	3,500 K
Color Temperature 4	4,000 K
Farbtemperatur 5	5,700 K
Light output	Direct
Luminous flux	3,450 - 4,270 lm
Luminous flux 1	3,450 lm
Luminous flux 2	3,500 lm
Luminous flux 3	3,700 lm
Luminous flux 4	3,860 lm
Lichtstrom 5	4,270 lm
System efficiency	85 lm/W
Colour rendering	CRI > 90
Reflector	Faceted
Reflector colour	silver
Beam angle	60°
Glare evaluation	UGR < 19
Light sharing	Symmetric
Adjustable color temperature	Stages

Operating technology of the luminaire	
System output	50 W
Voltage type	AC/DC
AC nominal voltage max	230 V
Frequency max	50 Hz
Lamp	LED
Lamp holder	Without fitting
Protection class	II
Degree of protection	IP20
Dimmable	Yes
Control	DALI-2
Bulb change possible	The light source of this luminaire may only be replaced by the manufacturer or a service technician commissioned by him or a similarly qualified person.
Rated life time L80/B50 at 25 °C	50.000 h
Energy efficiency class	not required

Operating technology of driver	
Article No. of used driver	04376900
Length	135 mm
Width	60 mm
Hight	21 mm
AC nominal voltage min	198 V
AC nominal voltage max	264 V
Frequency max	60 Hz
Dimmable	Yes
Control	DALI-2 PUSH-Dimm
Starting current	8,04 A, 50 µs
Power	60 W
Output current	750 mA - 1.500 mA
Degree of protection	IP20
Flicker-free	Yes


MUNA PRO MEGA LED recessed downlight, 5CCT, UGR<19, DALI dimmable, reflector silver, faceted

Article no. 12769073

Mounting technology	
Mounting method	Recessed mounting
Place of installation	Ceiling-mounted
Adjustability	Not adjustable
Max. ceiling thickness	25 mm
Further references	No cover with thermal insulation material
Cover	Plastic, structured
Suitable for through-wiring	Yes

Packing data	
Gross weight	1.657 kg
Length of packaging	305 mm
Packaging width	305 mm
Packaging height	175 mm
Disposal at end of life	This product must not be disposed of with household waste. You are obliged, to dispose of such electrical waste separately. By disposing of electrical waste and other old or defective electronics separately, you support recycling or other forms of re-use. In that way you help to take care and to avoid that harmful substances get into the environment.

Optional accessories	
Article no.: 81219070 Cover frame, square, for 12569 Dimensions: 280 mm x 280 mm x 7 mm https://www.brumberg.com/fileadmin/products/Datenblatt_81219070_2021_DE.pdf	
Article no.: 81219080 Cover frame, square, for 12569 Dimensions: 280 mm x 280 mm x 7 mm https://www.brumberg.com/fileadmin/products/Datenblatt_81219080_2021_DE.pdf	
Article no.: 81214080 Cover ring, round, for 12569 Dimensions: 280 mm x 7 mm https://www.brumberg.com/fileadmin/products/Datenblatt_81214080_2021_DE.pdf	
Article no.: 81224070 Cover ring, round, with suspended float glass, partially frosted, for 12569 Dimensions: 280 mm x 30 mm https://www.brumberg.com/fileadmin/products/Datenblatt_81224070_2021_DE.pdf	
Article no.: 81224080 Cover ring, round, with suspended float glass, partially frosted, for 12569 Dimensions: 280 mm x 30 mm https://www.brumberg.com/fileadmin/products/Datenblatt_81224080_2021_DE.pdf	