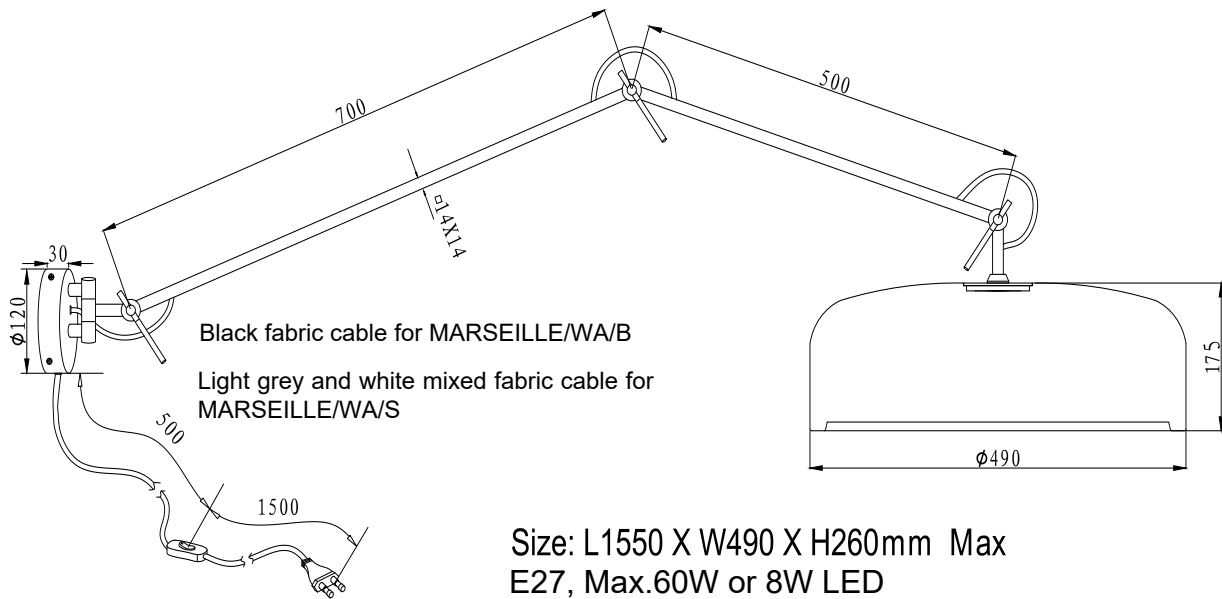


IT'S ABOUT RoMi[®]

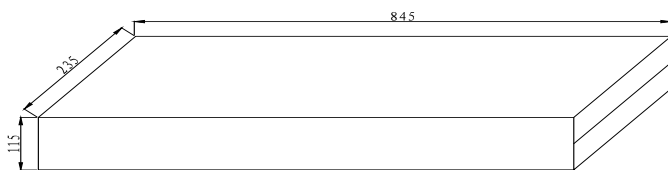
A M S T E R D A M
↳ technical drawing & packing details

MARSEILLE WALL LAMP

(MARSEILLE/WA/B)
(MARSEILLE/WA/S)

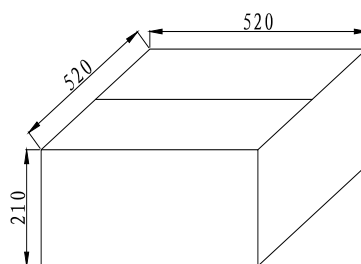


PACKING DETAILS



BOX FOR LAMPBODY

Box size: 23.5x11.5x84.5 CM
Total CBM: 0.023
G.W : 2.9 kgs
N.W : 2.1 kgs
Number of box : 1pc



BOX FOR LAMPSHADE

Box size: 52 X 52 X 21 CM
Total CBM: 0.057
G.W : 2.5 kgs
N.W : 1.4 kgs
Number of box : 1pc