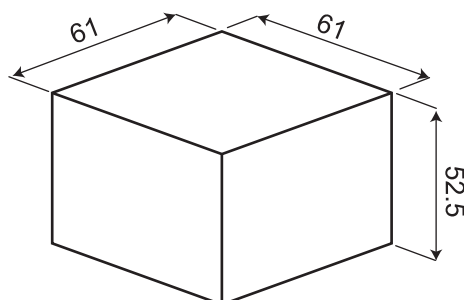
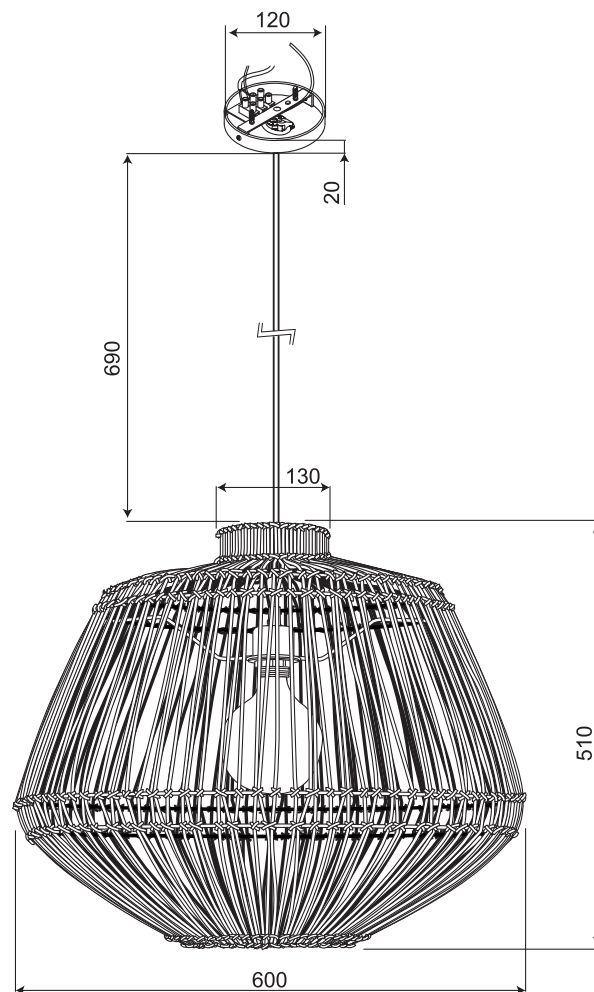


MADAGASCAR HANGING LAMP
(MADAGASCAR/H50/N)
(MADAGASCAR/H50/B)



PACKING DETAILS

Box size: 61 x 61 x 52.5 CM

Total cbm : 0.1965

G.W.: 4.3 KGS

N.W.: 1.9 KGS

Number of boxes: 1 PC

♥ THANK YOU FOR BUYING THIS SUSTAINABLE LAMP ♥ FOR EVERY LAMP YOU BUY, WE DONATE TO THE WAKAWAKA FOUNDATION ♥ THEY PROVIDE SOLAR LAMPS TO PEOPLE IN NEED OF LIGHT ♥
♥ READ MORE ABOUT THE GOOD WORK OF WAKAWAKA AT ♥

WWW.GOODANDMOJO.NL