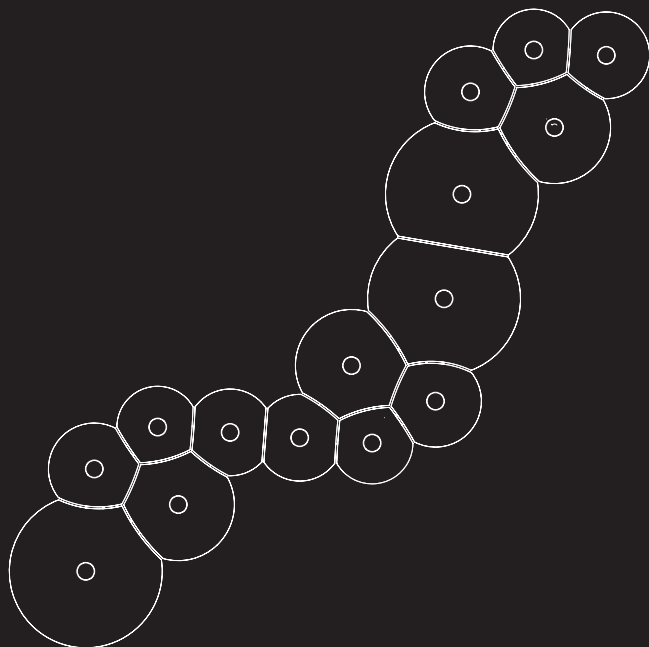


# BULBULLIA

design Francisco Gomez Paz



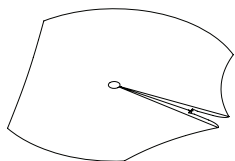
**LUCE  
PLAN**

---

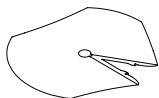
D95/3



D95/3



x2



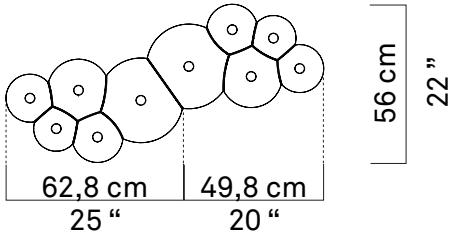
x2



x1

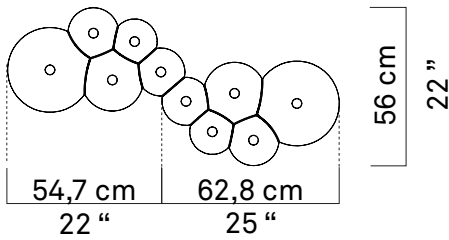
2X

D95A5  
D95A5D + 1x D95/3



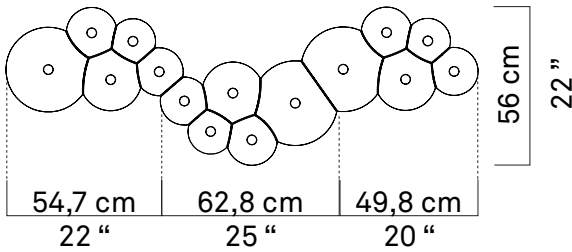
2X

D95A5  
D95A5D + 1x D95/3



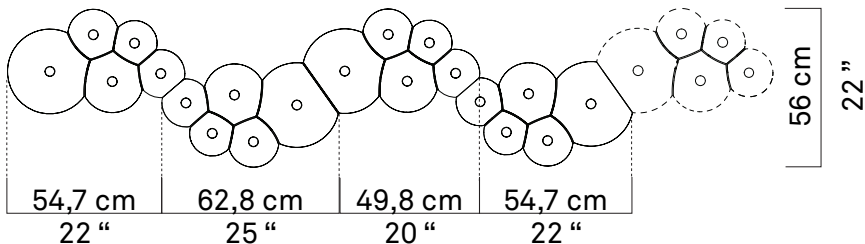
3X

D95A5  
D95A5D + 1x D95/3

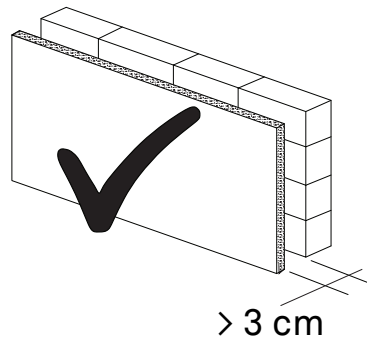
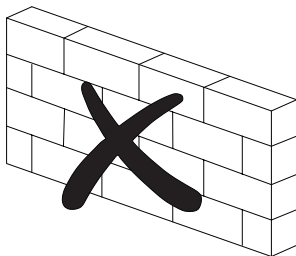
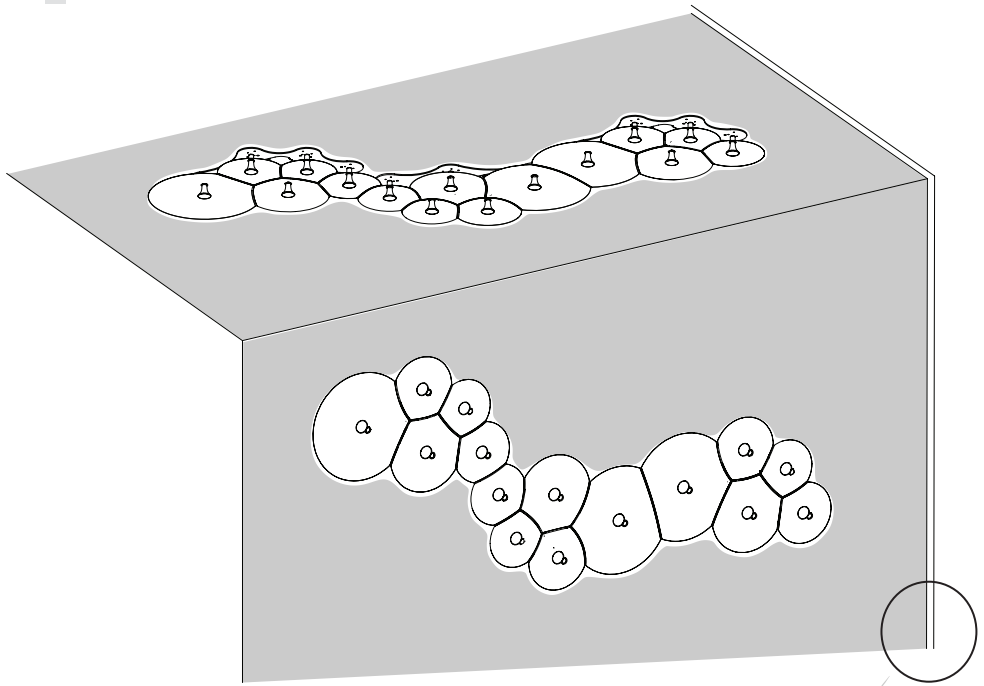


≥ 4X

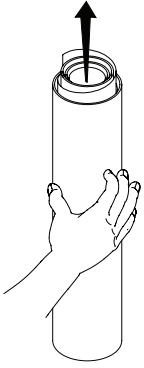
D95A5  
D95A5D + ≥ 2x D95/3



# 1

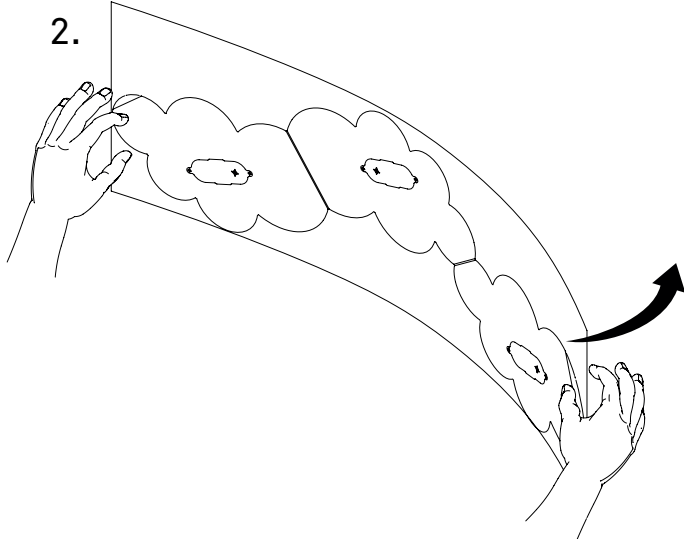


1.1

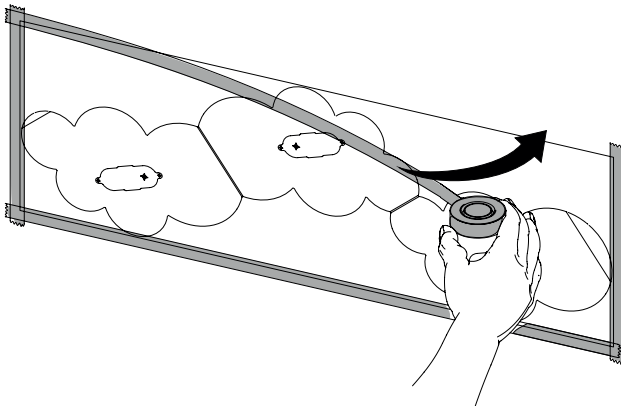
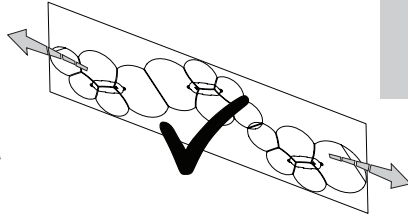
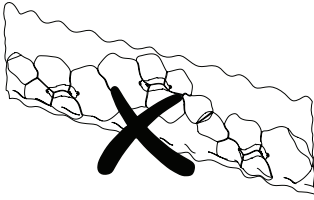


1.

2.

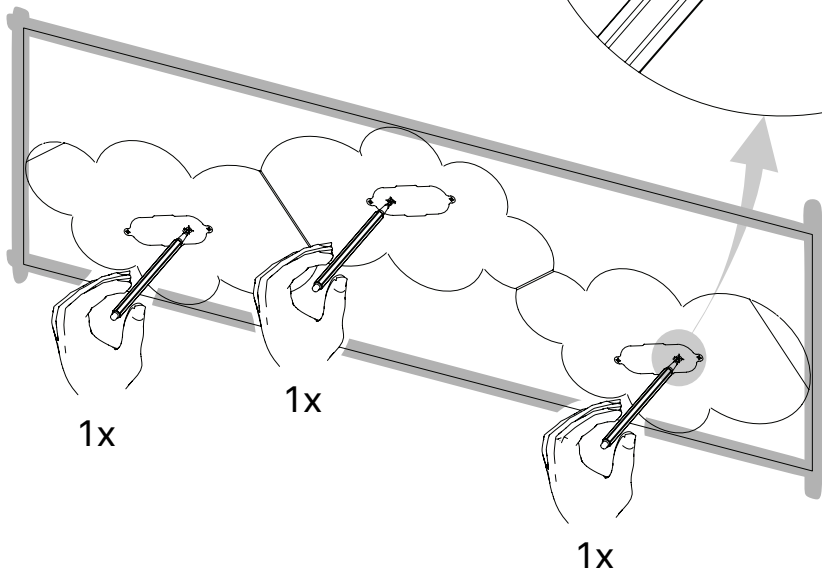
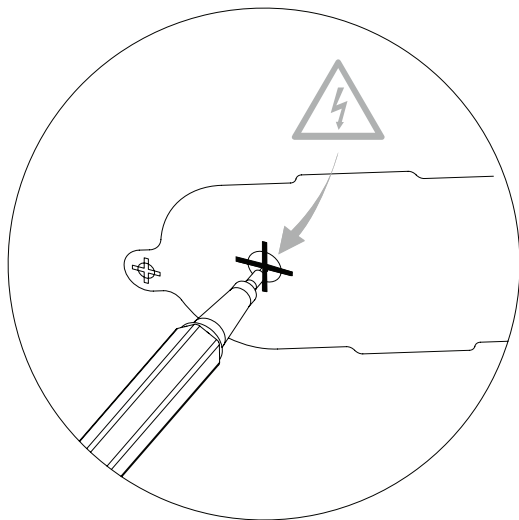
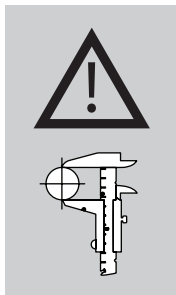


1.2

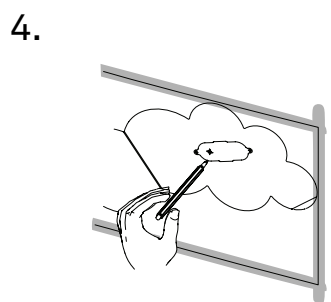
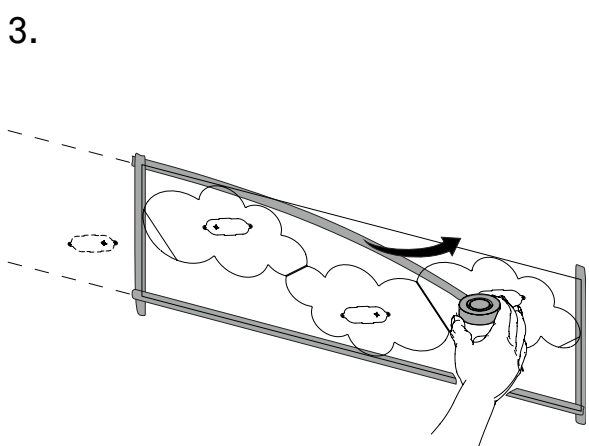
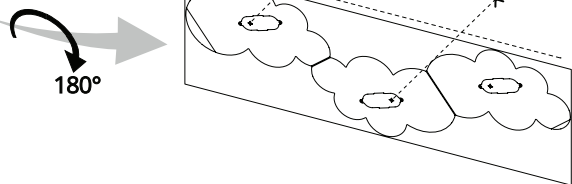
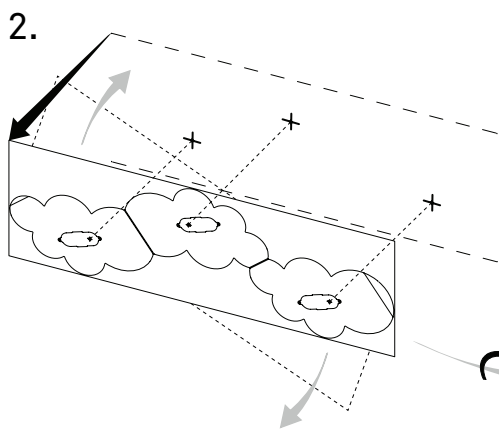
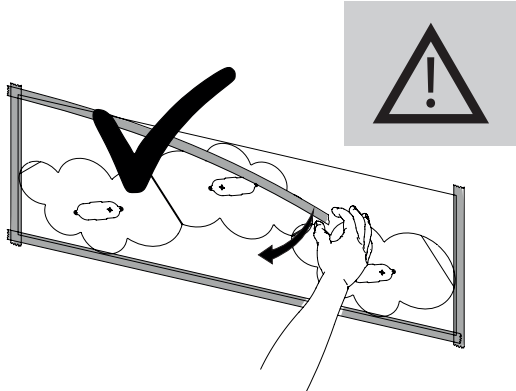
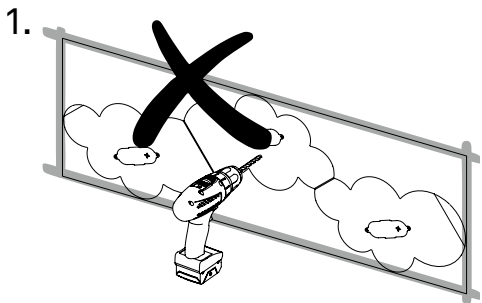


# 1.3

≤ 3X D95A5  
D95A5D

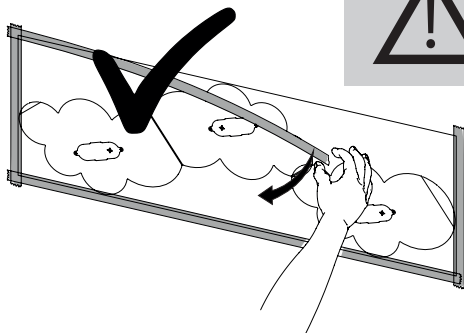
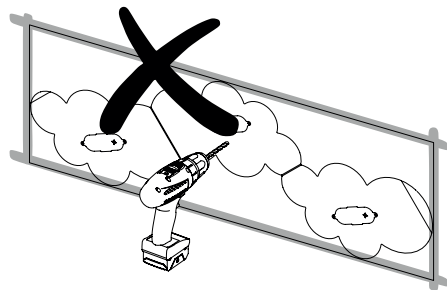


> 3X  
D95A5  
D95A5D

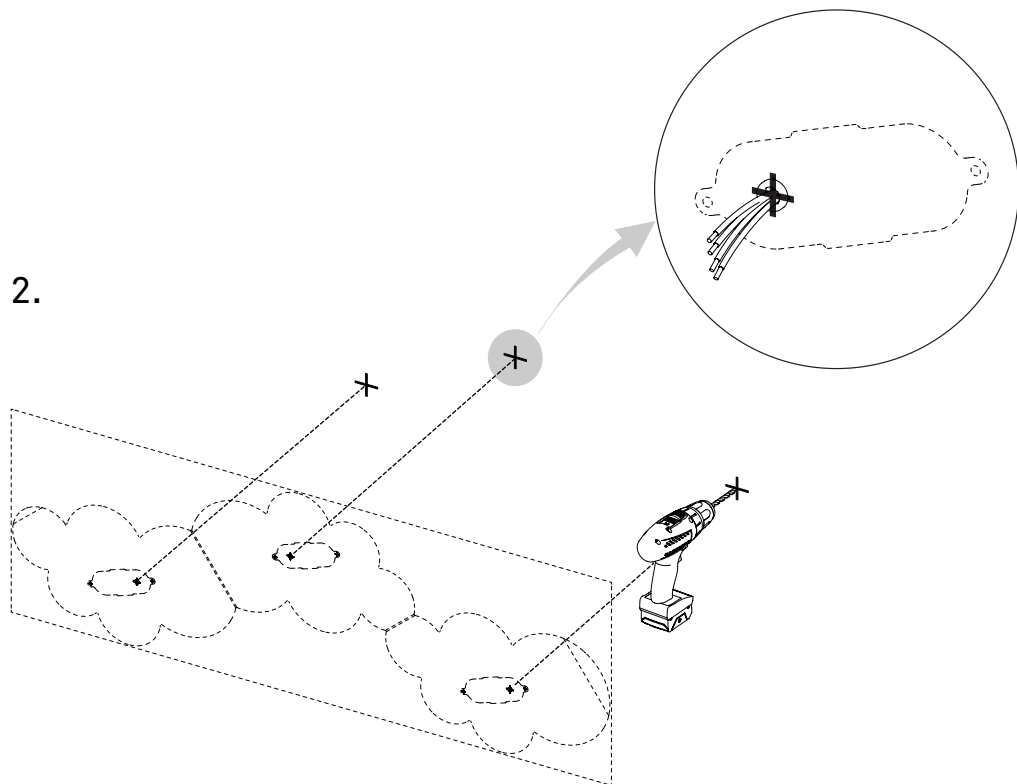


## 1.4

1.

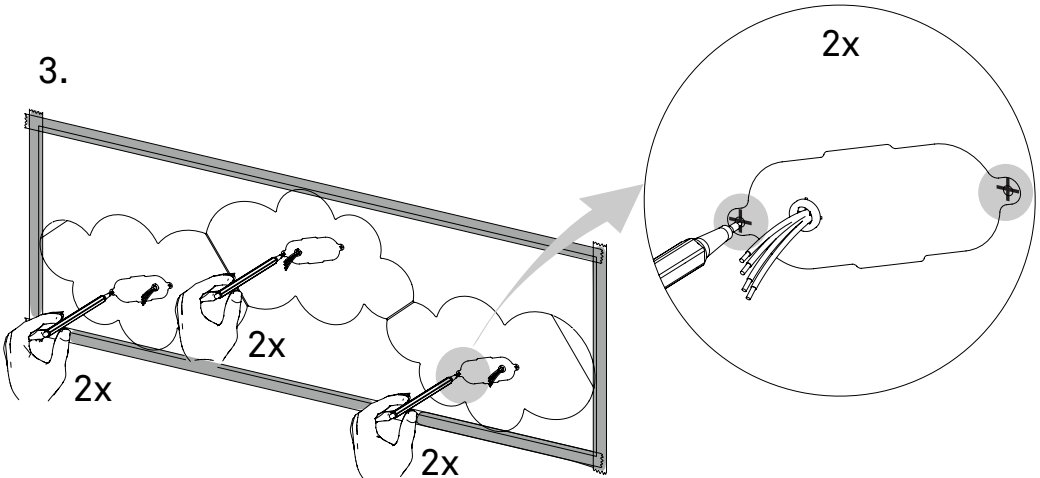
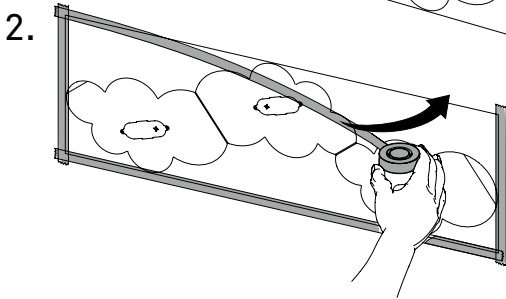
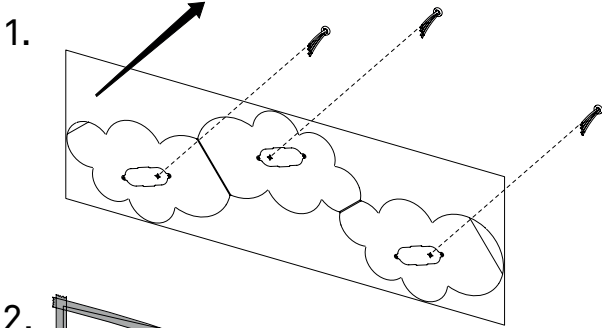
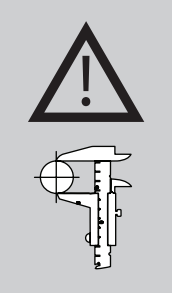
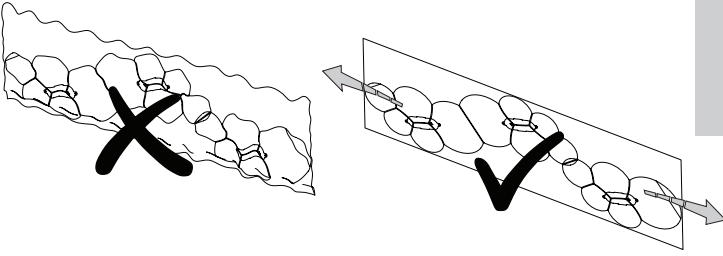


2.



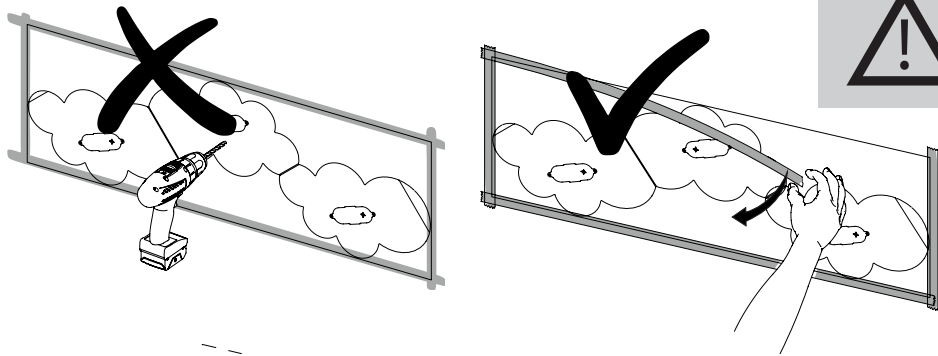


1.5

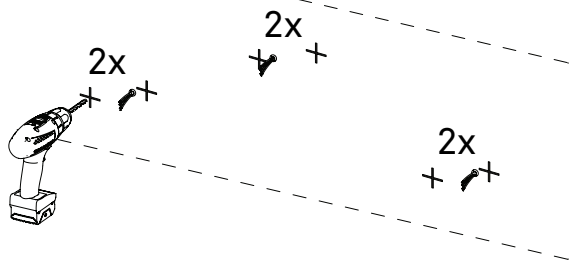


# 1.6

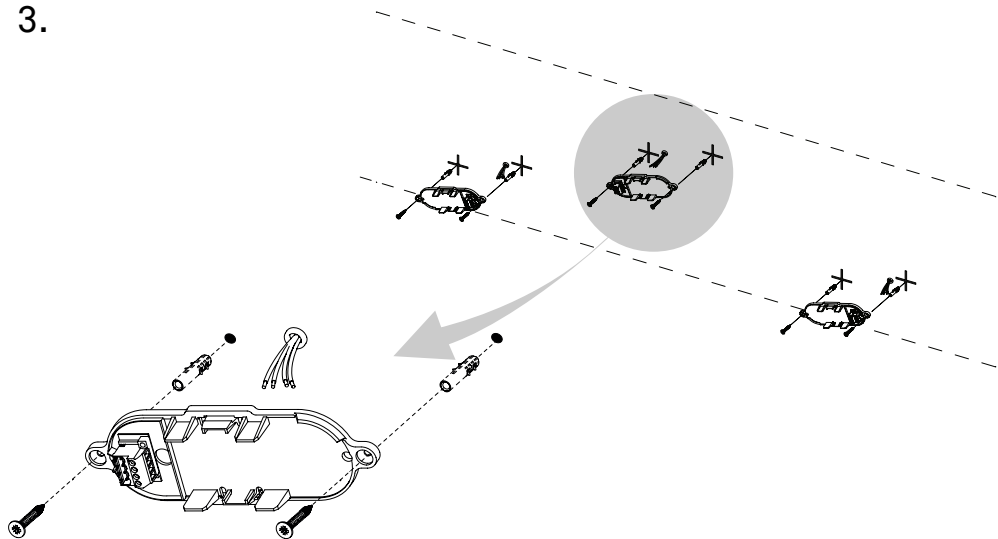
1.



2.



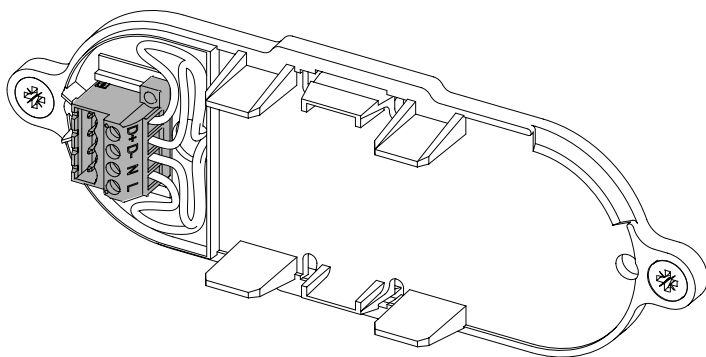
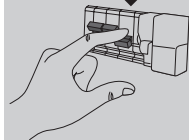
3.




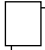
# 2



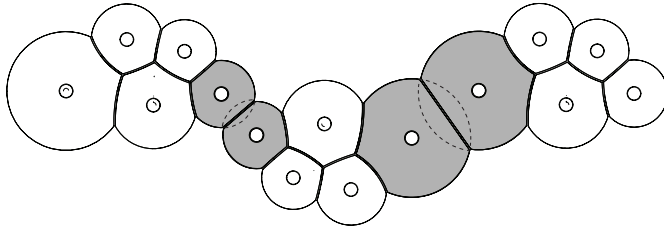
OFF



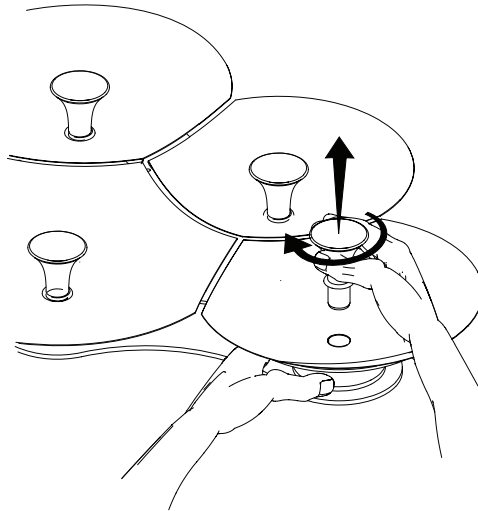
➔  D95A5 - D95A5D

 7-8-9-10

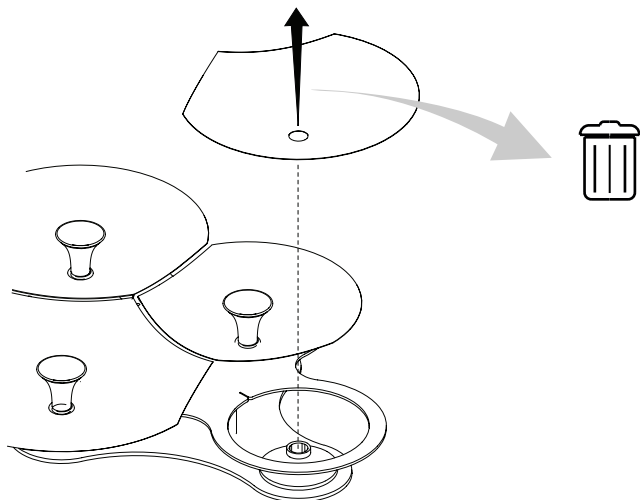
# 3



## 3.1



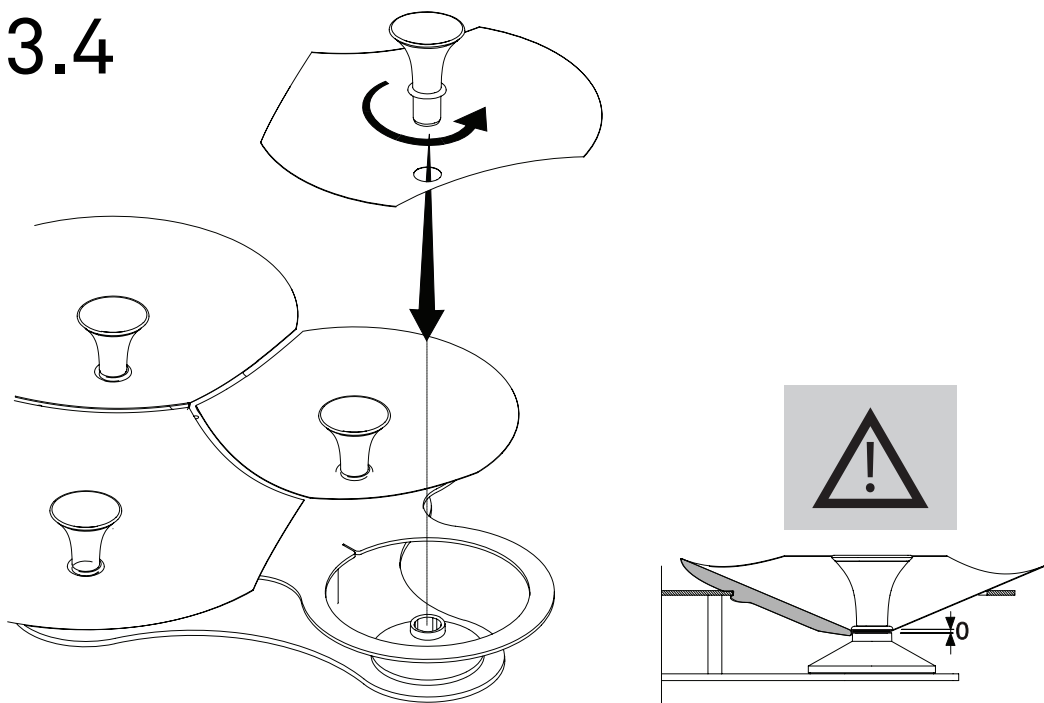
## 3.2



# 3.3

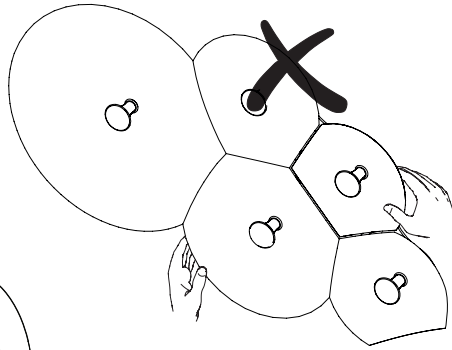
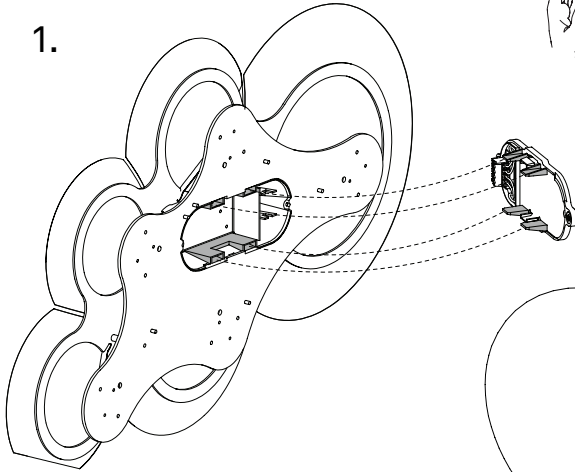


# 3.4

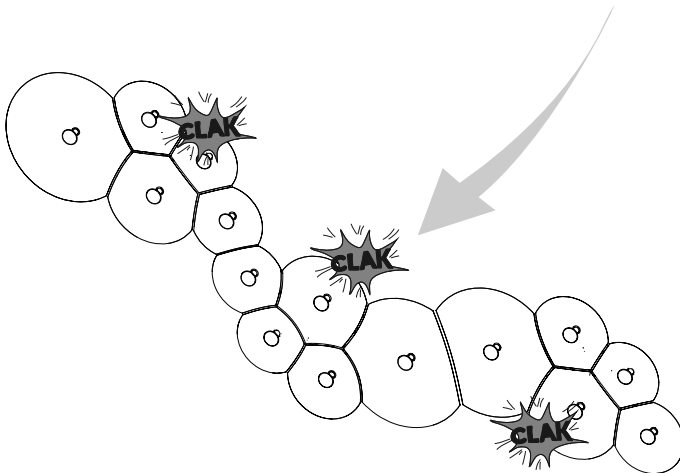
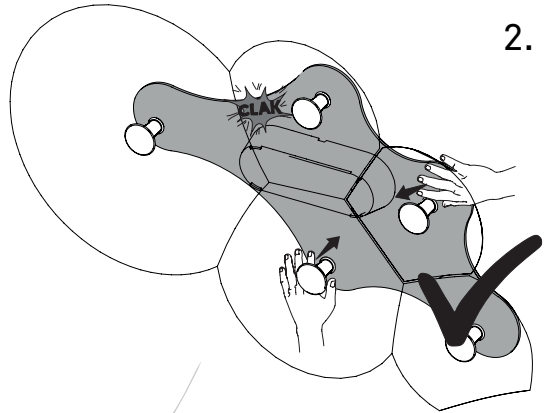


# 3.5

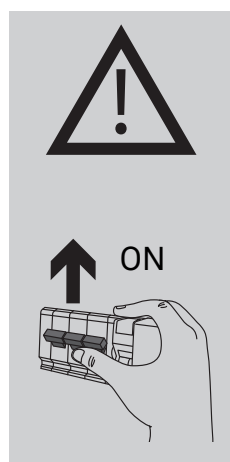
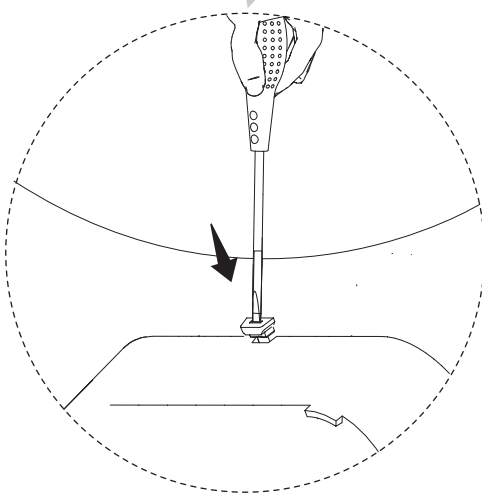
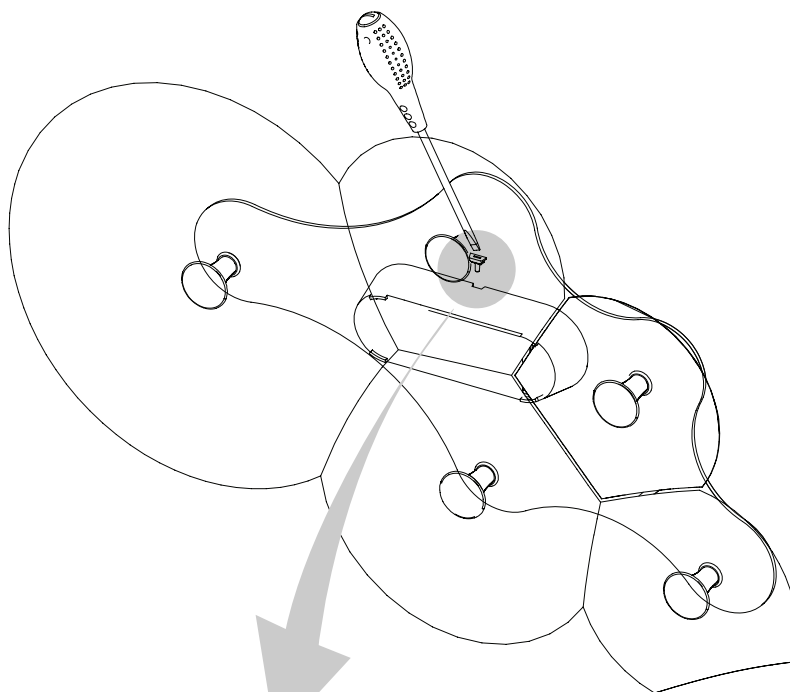
1.



2.



# 3.6





[www.luceplan.com](http://www.luceplan.com)

D95010002