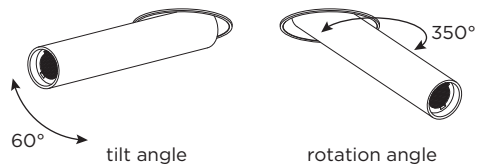
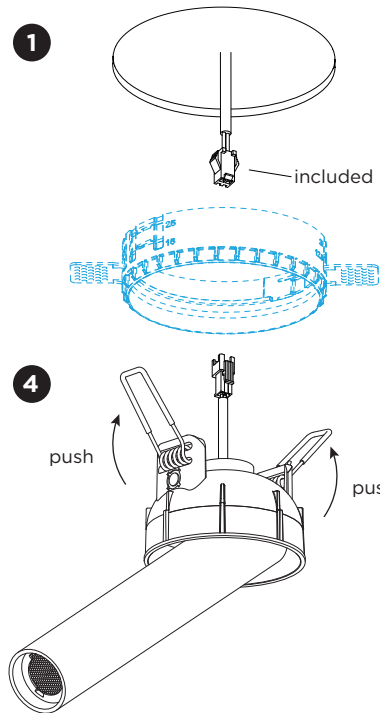


MATCH SNEAK trimless

INSTALLATION INSTRUCTIONS | DECEMBER 2024



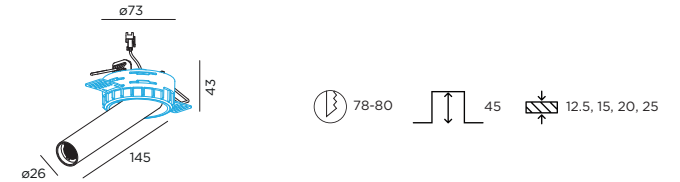
⚠ Before connecting the luminaire/LED module to the driver please make sure the driver is not powered but disconnected from the mains. The driver can only be powered when the luminaire/LED module is already connected. Disregarding this instruction might damage or even destroy the luminaire/LED module.

Driver must be powered off before connecting the cables.

220-240VAC → (1) [OFF] L N driver → (2) [Luminaire]

⚠ Only to be installed outside arms reach.

DIMENSIONS



MOUNTING INSTRUCTION

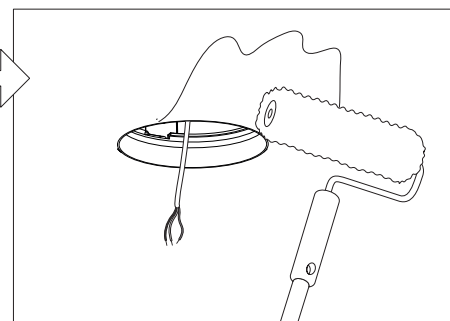
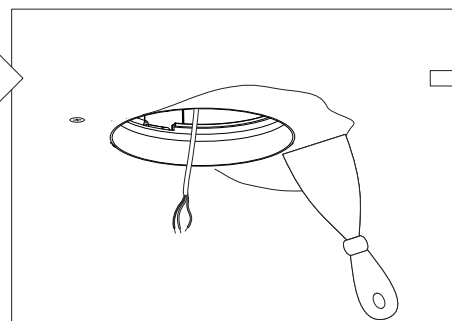
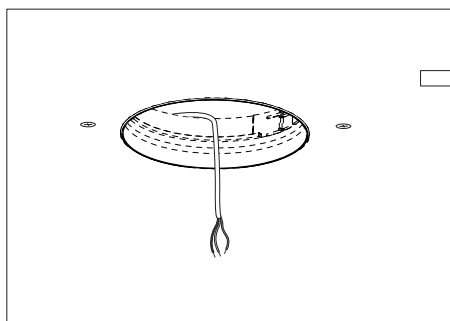
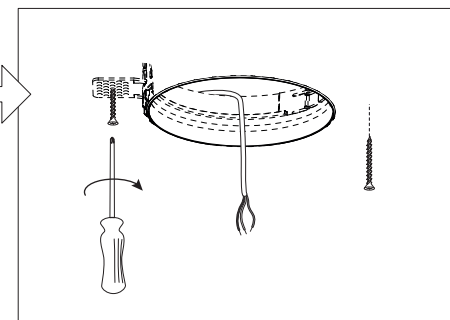
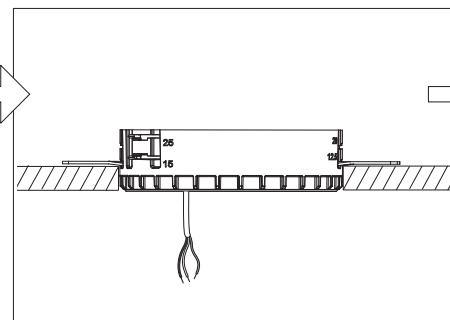
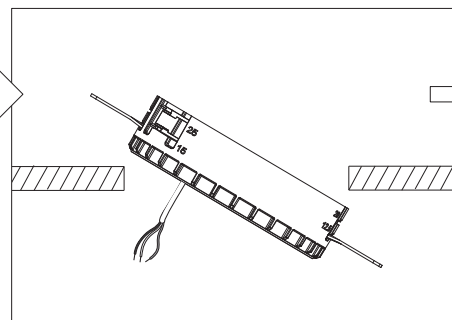
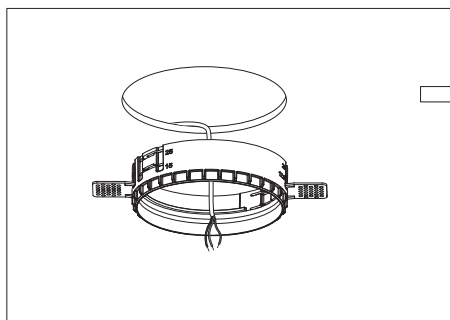
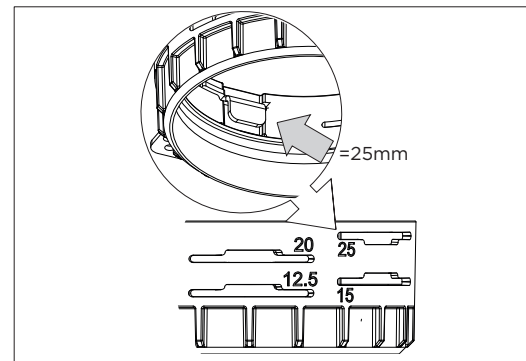
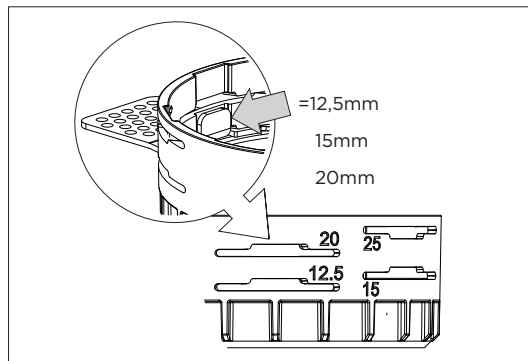
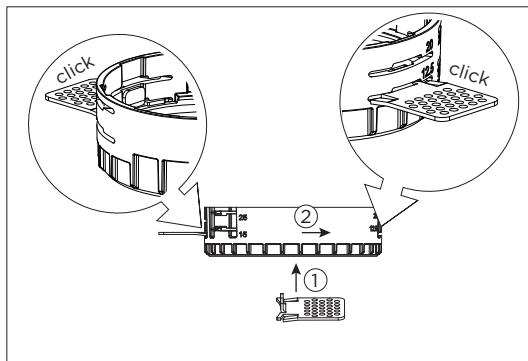
- 1** Make a hole in the ceiling according to the prescribed dimensions.
- 2** Install the plasterkit into the hole (please see the page 2 for the detail).
- 3 POWER CONNECTION**
Always use a driver according to the specifications of the LED module.
Single connection

Multiple connection
- 4** Push the springs upwards and insert the fixture in the ceiling hole.

MATCH SNEAK trimless

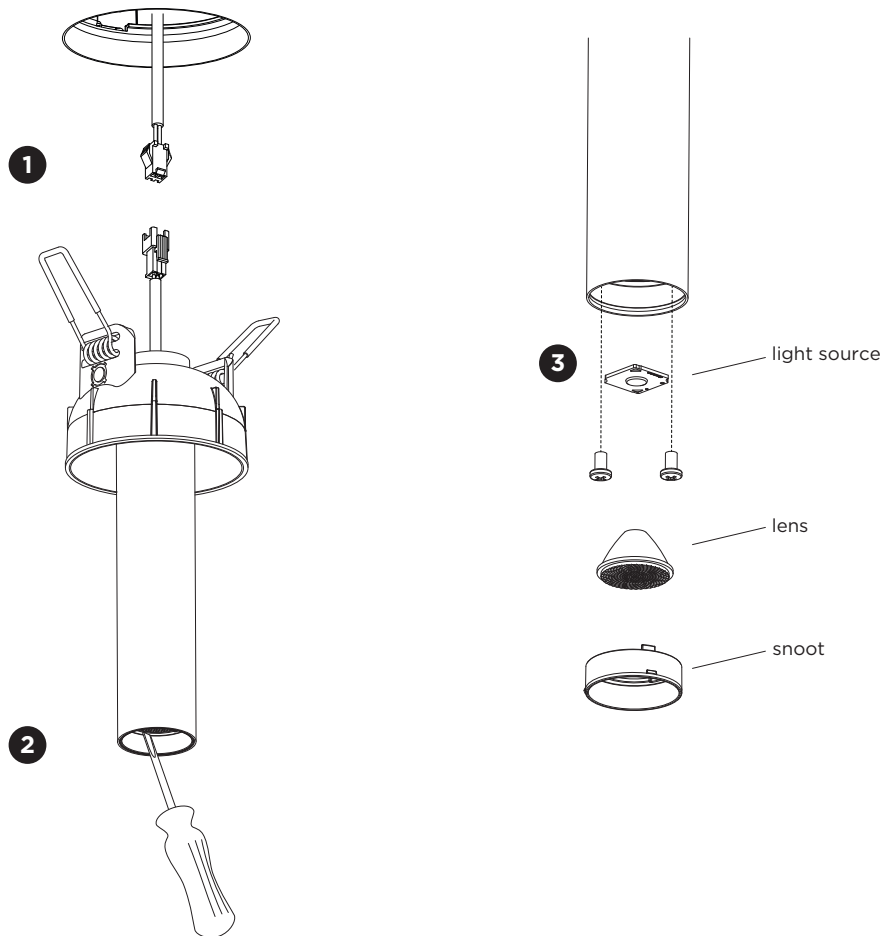
INSTALLATION INSTRUCTIONS | DECEMBER 2024

Install the plasterkit into the ceiling hole.



MATCH SNEAK trimless

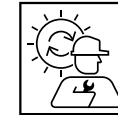
INSTALLATION INSTRUCTIONS | DECEMBER 2024



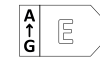
DISMOUNTING AND RECYCLING INSTRUCTIONS

Light source

- 1** Take the luminaire out of the ceiling hole and disconnect the plug.
- 2** Pull out the snoot using any available tools and remove the lens.
- 3** Disconnect the wires and unscrew the light source to remove it.



The light source is replaceable by Wever & Ducré or by a professional with explicit authorisation. For more information please contact your local Wever & Ducré customer service point.



This luminaire contains a light source with the energy class E.