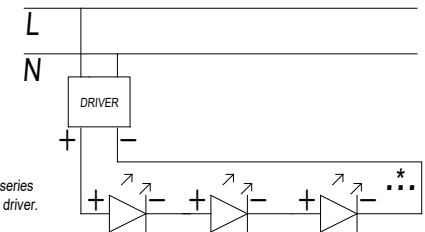
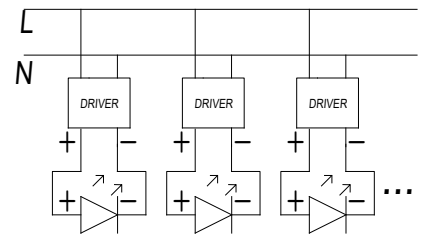
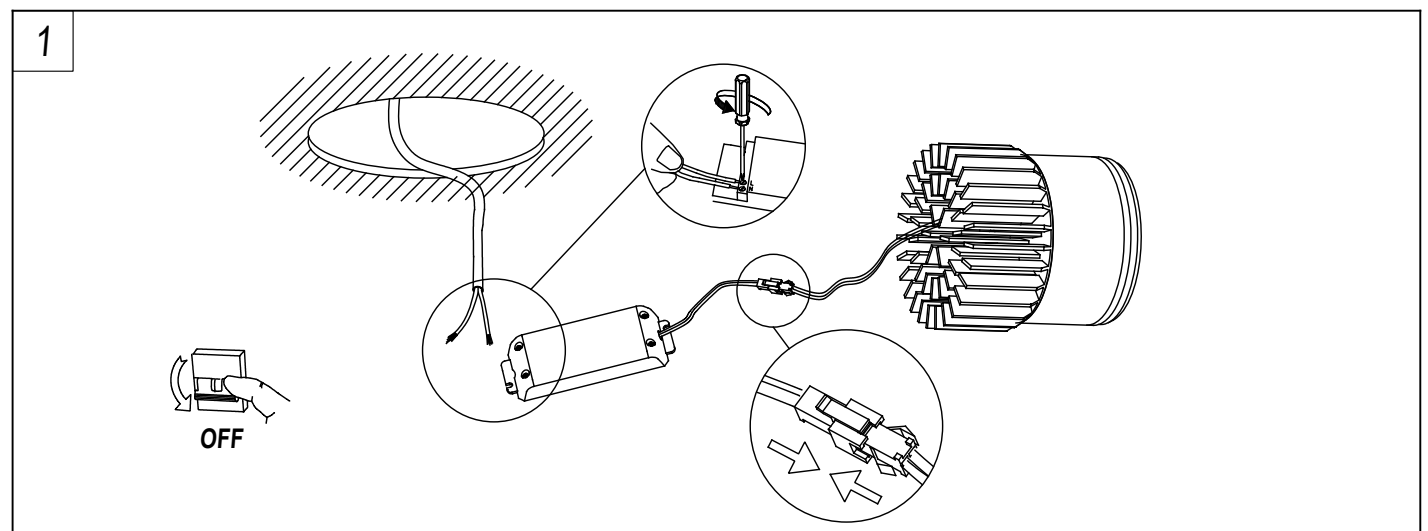


	7W	13W	18W
Vout	9	36	36
Iout max.	0.7A	0.35A	0.5A
h module	66	86	105

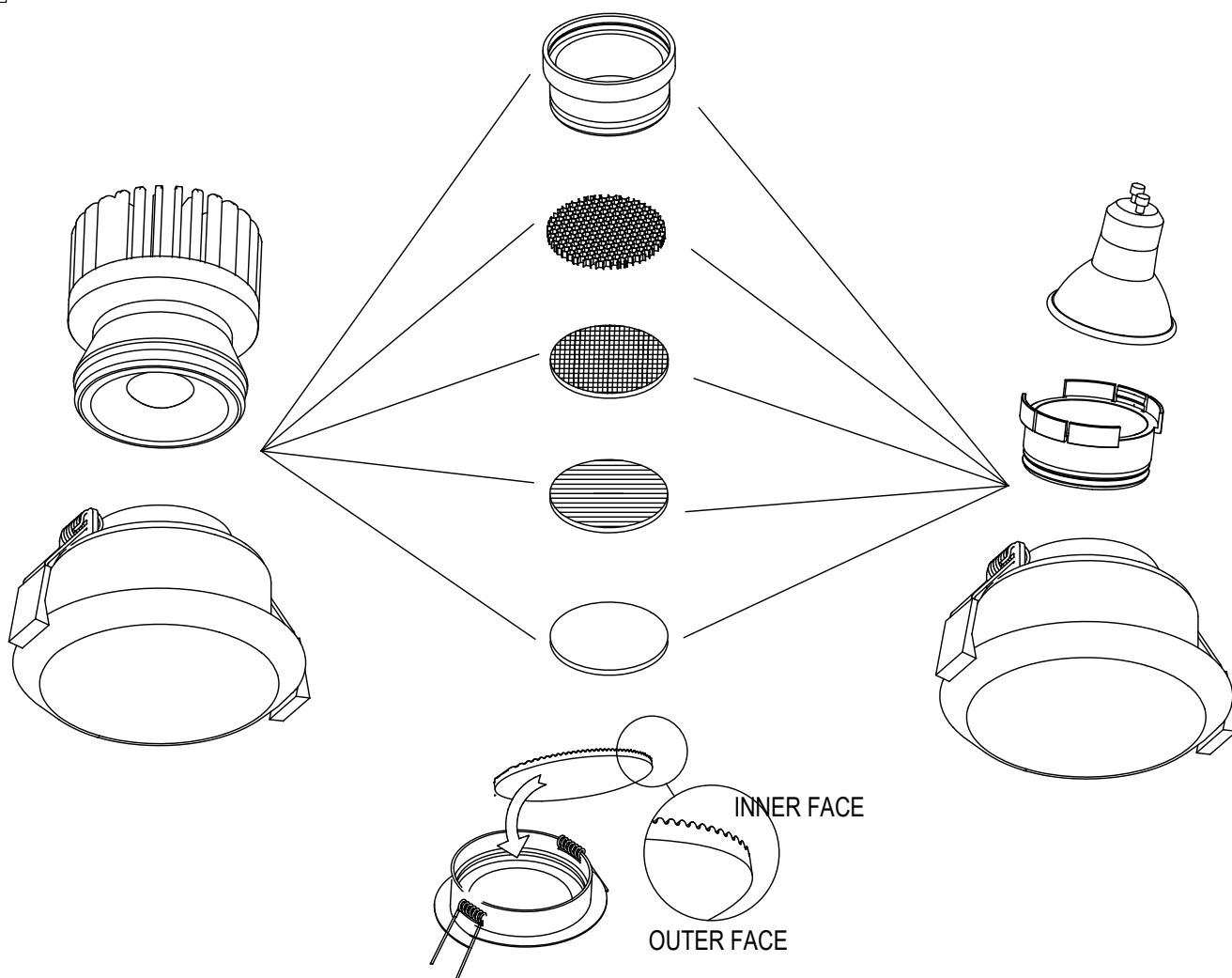


* The number of modules that can be connected in series depends on the available output voltage of the LED driver.

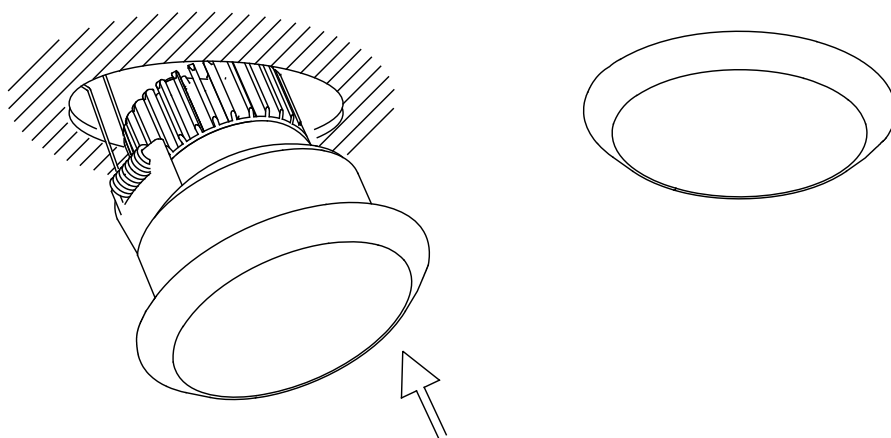
	A	B
	Ø100	Ø100
	0-25	0-25
X	102/132/141	110/130/149
Y	20	20



2



3



The light source of this luminaire is not replaceable; when the light source reaches its end of life the whole luminaire shall be replaced.

