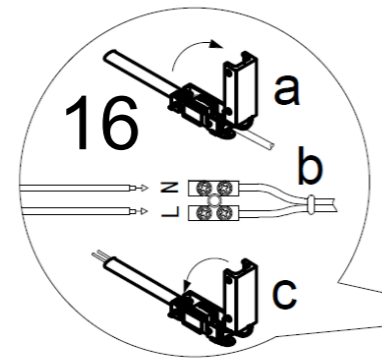
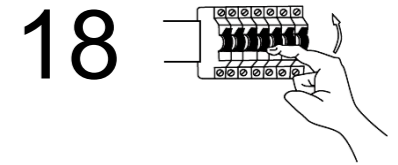


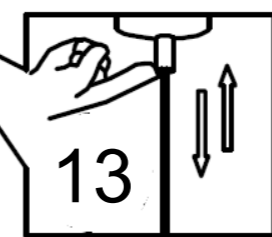
1



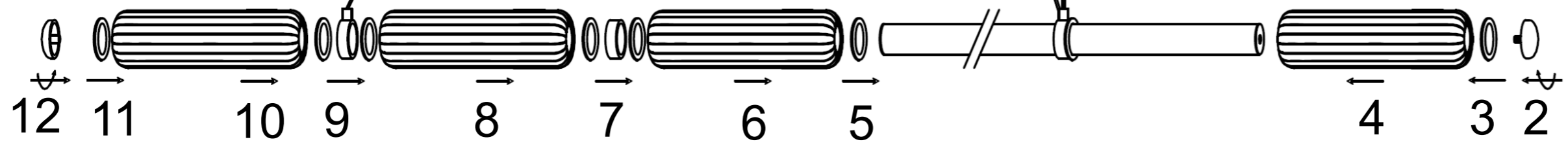
16



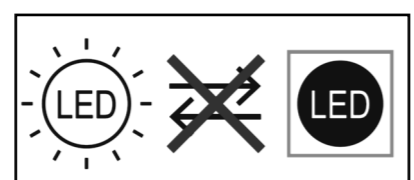
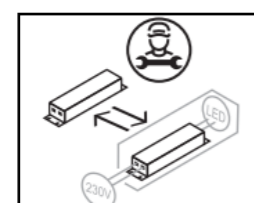
18



13



Q.C APPROVED 30/07/2024 ISSUE 1



MAINS SUPPLY

LIGHT FITTING

