

804/BI/AR civetta

design emiliana martinelli, 2007

Table lamp, indirect light. Tubular aluminium structure lacquered, upper satin methacrylate finish diffuser in white or orange colour.

804/BI/AR civetta

family:	civetta	Body Color:	<input type="radio"/>
Designers:	Emiliana Martinelli	Diffuser Color:	<input checked="" type="radio"/> other available colors <input type="radio"/>
Utilization:	indoor	Body Materials:	aluminium
Typology:	table lamps	Diffuser Materials:	methacrylate
Certifications:			
Market:	This item is available in the following countries: EUROPE		

Dimensions

Width:	-
Height:	20 cm
Length:	-
Depth:	-
Diameter:	16 cm

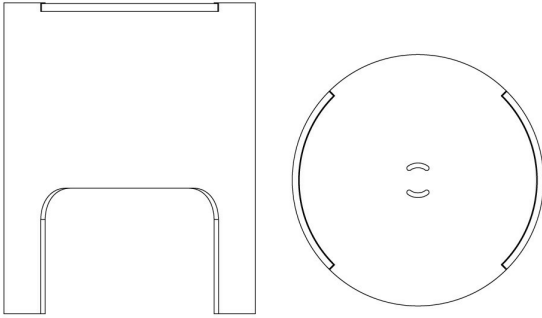
Hole Diameter:	-
Hole Depth:	-
Net weight:	1 Kg

Light Source

Watt:	5,3W E27
Lumen:	320 lm
Light Source:	led
CRI:	>80
duration:	25000
Energy degree:	A+

Device Specifications

Type of emission:	direct/indirect	Power cable length:	40+200 cm	Driver:	-
Power:	-	Steel cable length:	-	Power supply assembly:	-
Light output:	-	Glow Wire Test:	-	Power supply:	-
Beam angle:	-	Impact Resistance:	-	Type of dimming:	-
				Voltage:	230V



Dimensions

Width: -
Height: 20 cm
Length: -
Depth: -
Diameter: 16 cm

Hole Diameter: -
Hole Depth: -
Net weight: 1 Kg



civetta 804/BI/AR
design emiliana martinelli, 2007

