

COMPENDIUM PLATE

design Daniel Rybakken



Type: Ceiling/wall/suspension

Lamps: LED 75W 2700K(*) CRI 90 3.753 lm EEL: A dimmable phase cut or push/DALI

Product use: Indoor

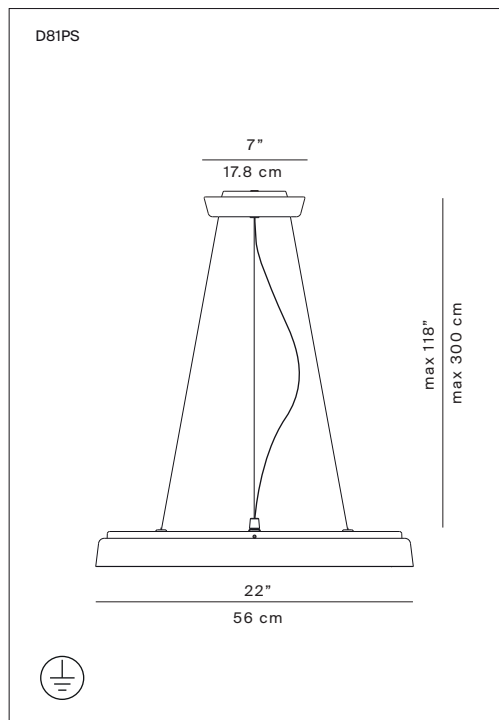
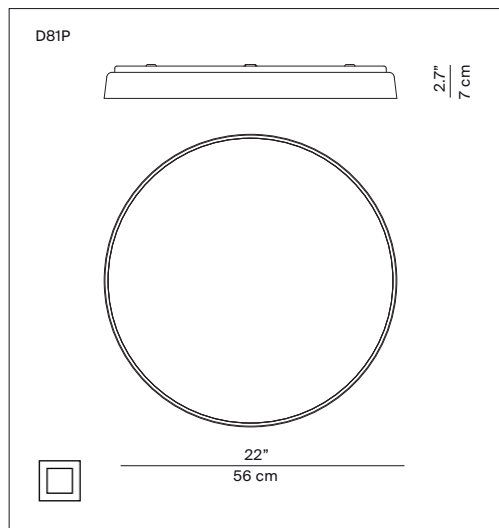
Materials: Brushed aluminum, injected thermoplastics

Colors: Black, brass, aluminium

Description: The external profile in brushed extruded aluminium conserves the slim original thickness, creating a surface almost flush with the wall. In spite of its extremely slender design, Compendium Plate provides extraordinary lighting efficiency combined with a clean form and extreme elegance.

Rating: IP40

Marking:



Reference code: Structure

D81P 1D810P000020 alu
 1D810P000001 black
 1D810P000030 brass

D81PS 1D810POS0020 alu
 1D810POS0001 black
 1D810POS0030 brass

Compatible phase cut dimmer

Supplier	Supplier References
LC Relco	RM0540 with dip1=on and dip2=on

(*) The LED lamps cannot be changed in the luminaire.
 Power consumption by device

