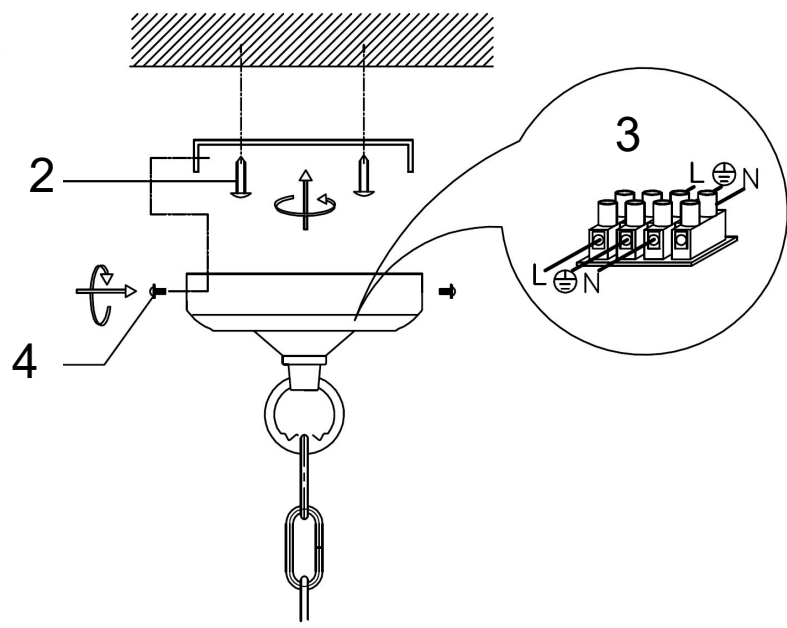
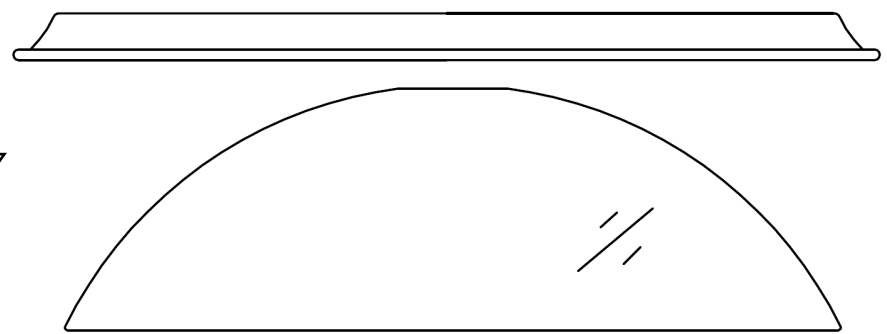


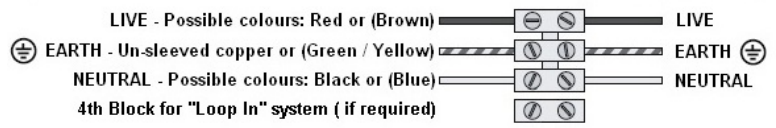
1



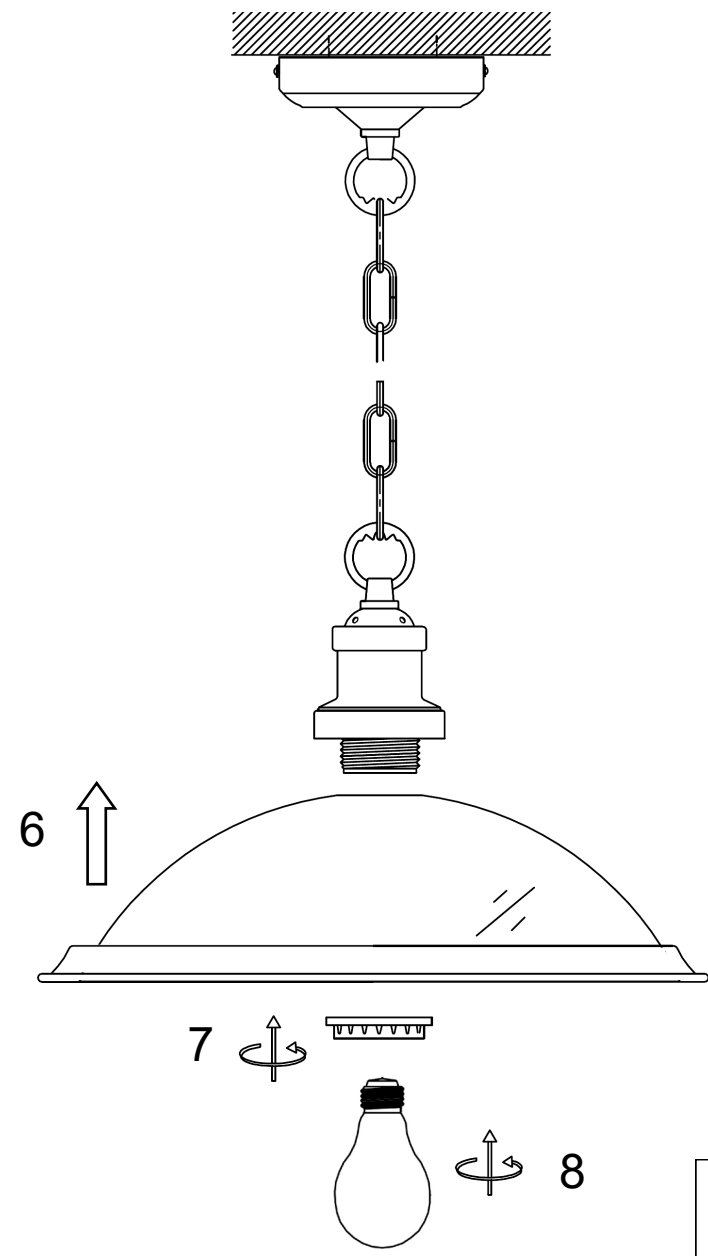
5



INCOMING SUPPLY



9



6

7

8

Q.C APPROVED
28/4/2022
ISSUE 2