

# PHILIPS

Fylx

9290047028

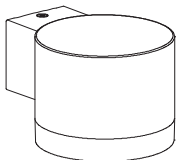
9290047029

9290047030



User manual  
Benutzerhandbuch  
Notice d'emploi  
Manual de usuario  
Manual do usuário  
Manuale d'uso  
Gebruiksaanwijzing

Incl.



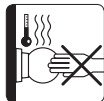
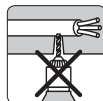
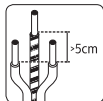
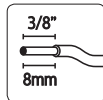
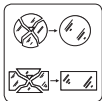
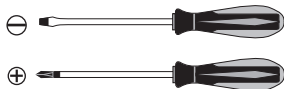
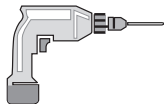
x2

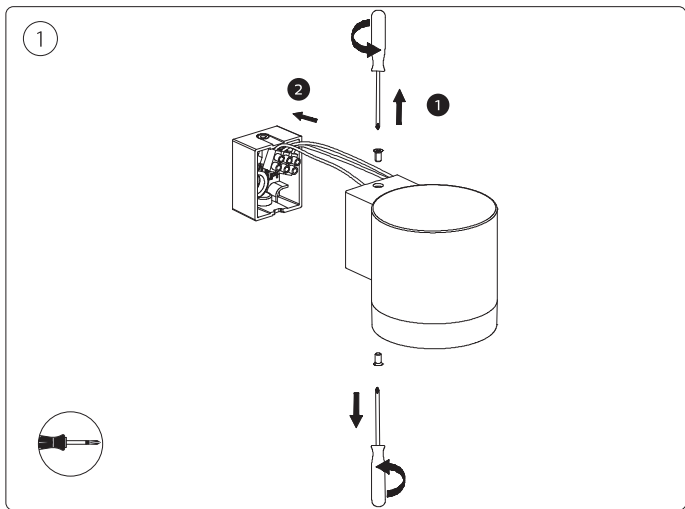
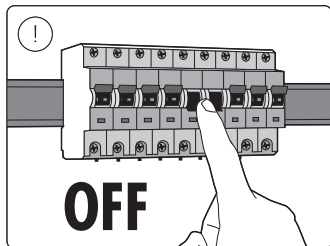
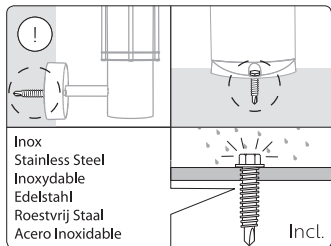


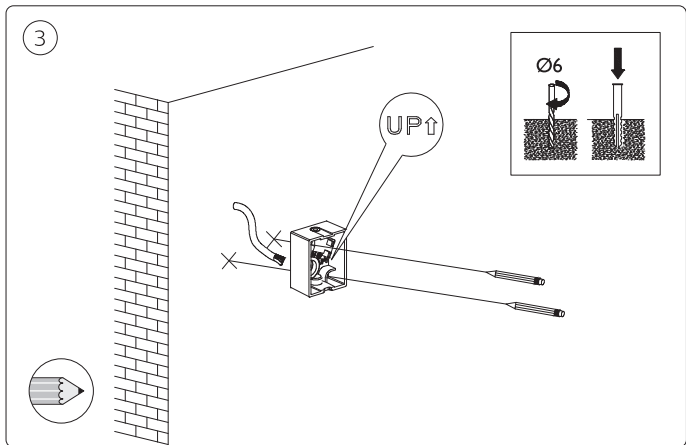
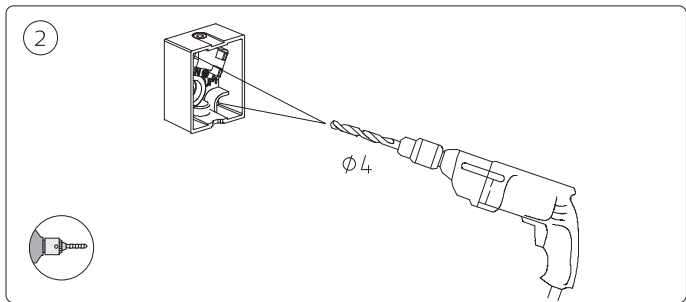
x2

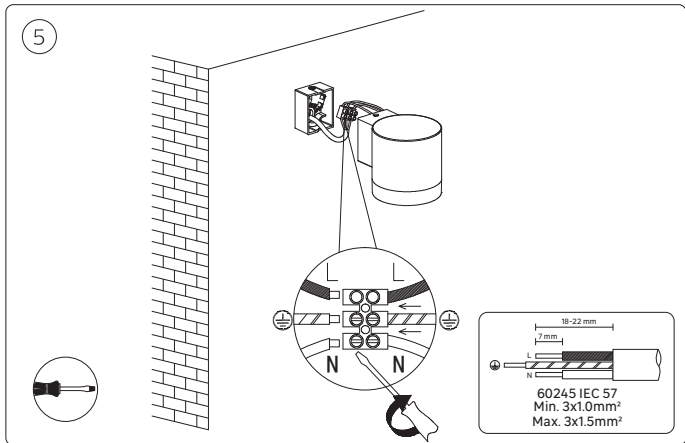
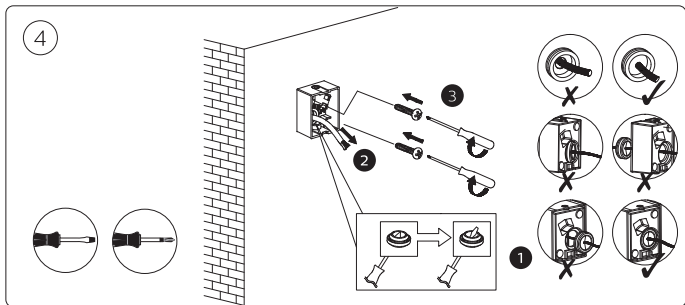
ST4.2\*30mm

Excl.

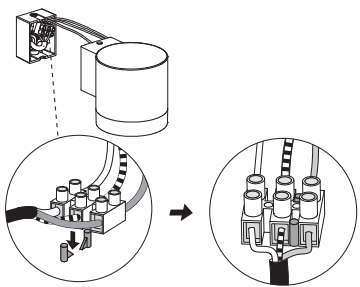
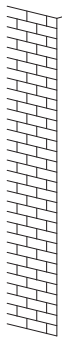




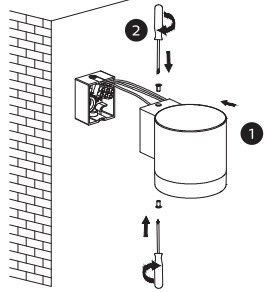


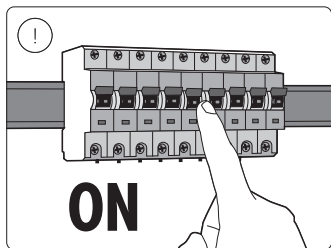
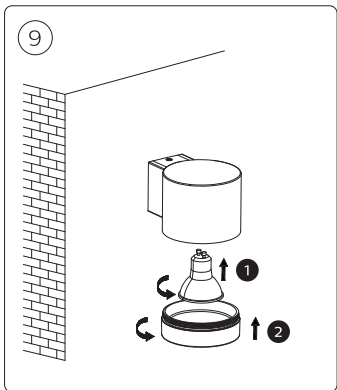
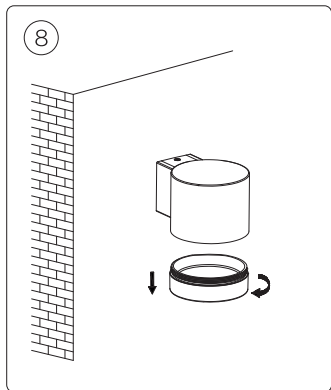


6



7







Signify Commercial UK Limited  
2 Guildford Business Park,  
GU2 8XG

Signify  
I.B.R.S. / C.C.R.I. Numéro 10461  
5600 VB Eindhoven,  
the Netherlands  
☎00800-74454775

© 2025 Signify Holding

**signify**

3241 663 15771

Philips and the Philips Shield Emblem  
are registered trademarks of Koninklijke  
Philips N.V. and are used under license

[www.philips.com/lighting](http://www.philips.com/lighting)