

# GEJST

## PENDANT LONG AND SHORT

### RADENT

By Rune Krøjgaard

Instruction



## ATTENTION

In some countries, electrical installation must be carried out by authorised electricians/contractors; please check with your local authority for guidance. The product must not be modified in any way. Gejst accepts no responsibility for any products that have been modified or tampered with. This lamp is designed for indoor use only.

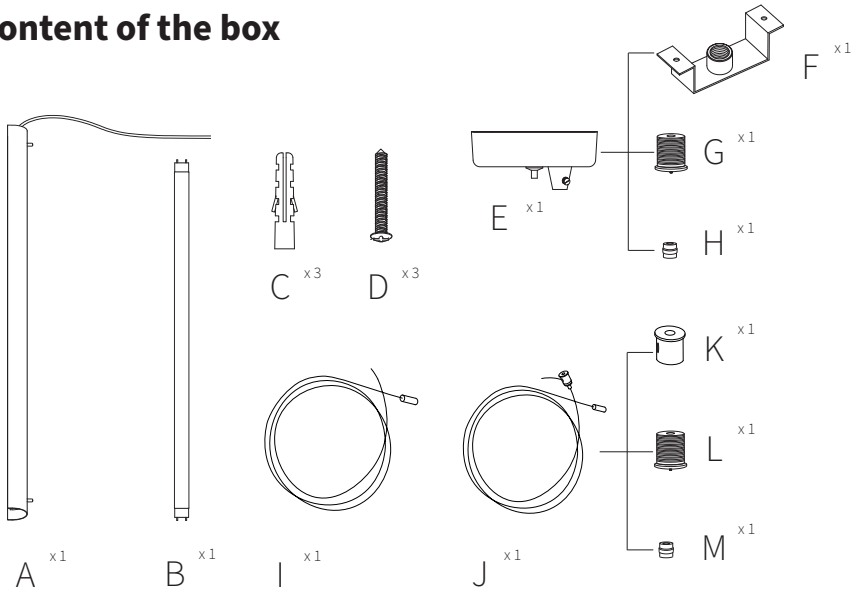
The RADENT pendant lamps is designed to be used with LED direct driver (one circuit) based light sources only. Halogen or incandescent light sources should never be used, as it may cause damage to the lamp. Gejst accepts no responsibility for any damage due to the use of incorrect light sources.

## TECHNICAL DATA

This product is fitted with a LED tube warm white LED Tube, 3000 Kelvin.  
Average lifespan 35.000 Hours.

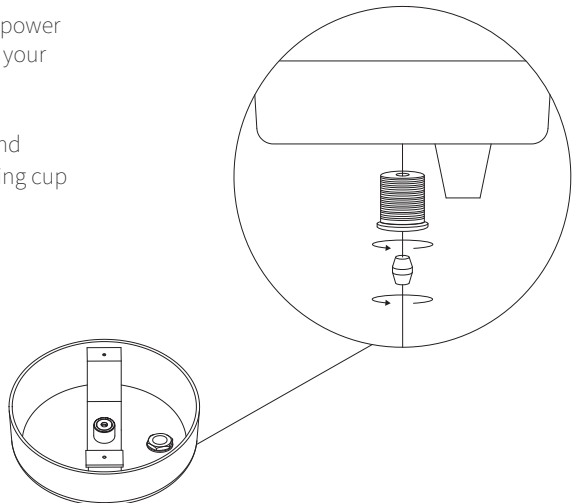
The lamps are only fitted with LED tubes with electronic ballast inside the tube. Direct Driver which only provide electricity in one end.  
Please remember to place the electrical end towards the cable.  
Gejst will not accept any responsibility for any accidents or injuries that occur due to the use of incorrect bulbs.

## Content of the box

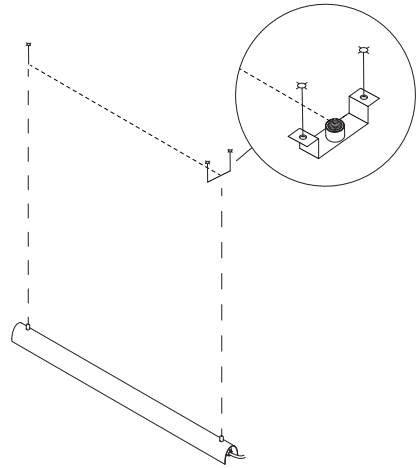


- ① Please make sure to turn the power supply off before assembling your RADENT lamp.

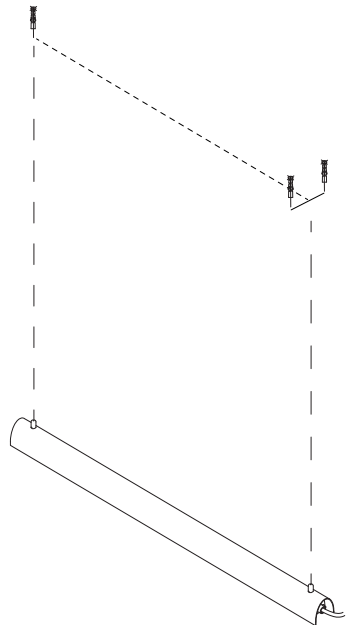
Demount wire lock (Part G) and fingerscrew (Part H) from ceiling cup (Part E).



- ② Measure and mark the holes for the bracket (Part F) from the ceiling cup. Measure and mark the placement of the bushing (Part K).

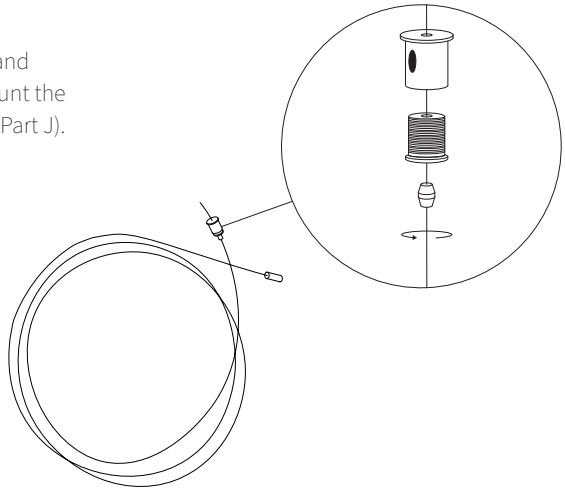


- ③ Drill the holes and insert plugs (Part C).

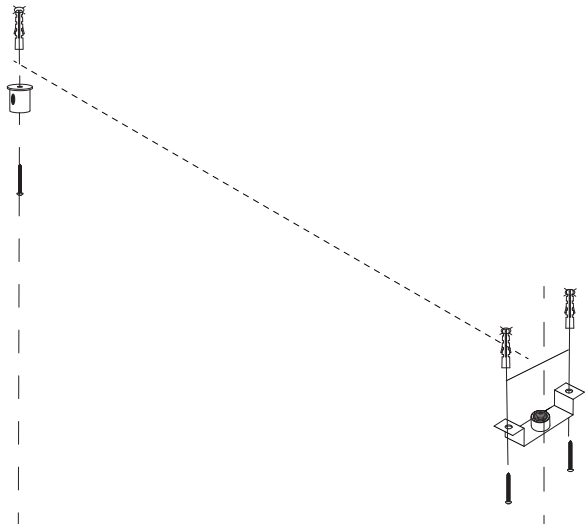


# GEJST

- ④ Unscrew the wire lock (Part L) and fingerscrew (Part M) and demount the bushing (Part K) from the wire (Part J).

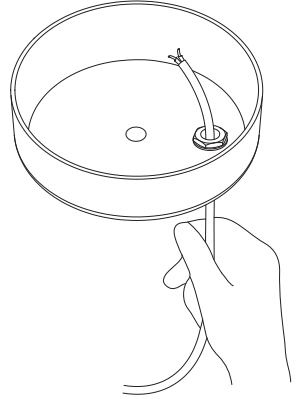


- ⑤ Secure the bushing (Part K) and bracket (Part F) with screws (Part D).

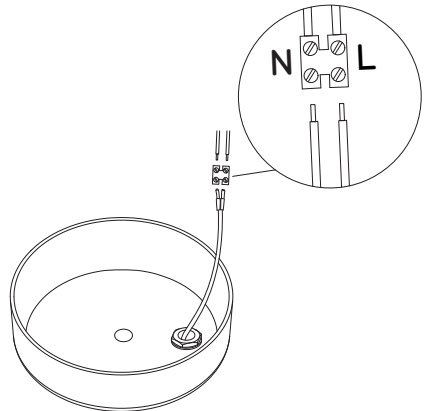


# GEJST

- 6 Pull the cable that is attached to the lampshade (Part A) through the ceiling cup (Part E).



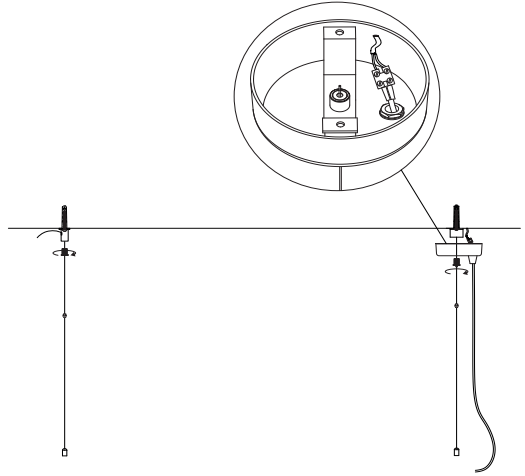
- 7 Connect the cable to the power cable.



# GEJST

- ⑧ Mount wire (Part I) and ceiling cup (Part E) to the bracket (Part F) using the wire lock (Part G).

Mount the other wire (Part J) by fastening the wire lock (Part L) to the bushing (Part K).

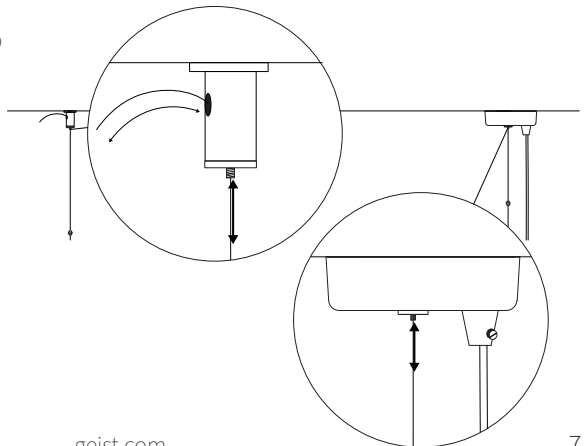


- ⑨ Fasten the wires (Part I and Part J) onto the lampshade (Part A).



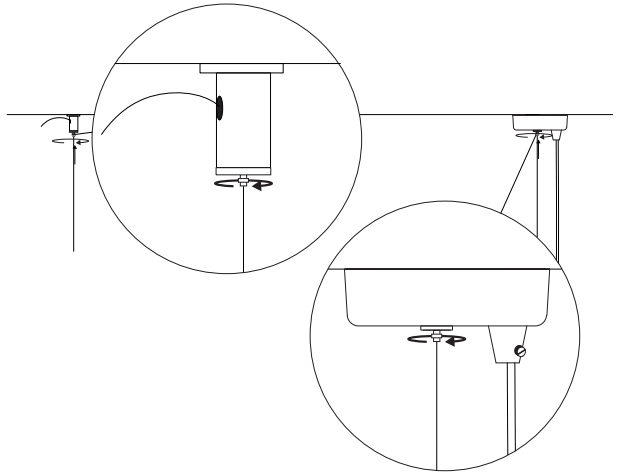
- ⑩ Decide the how high the lamp should be secured and make sure to level the lampshade.

The wires are adjustable by pressing the gold screw on the bushing and ceiling cap and sliding the wires to the desired length.

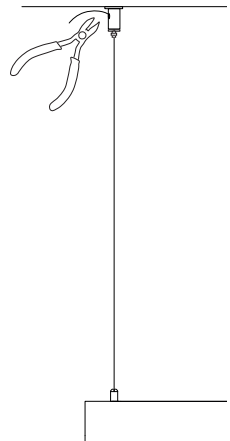


# GEJST

- ⑪ Tighten the finger screws.



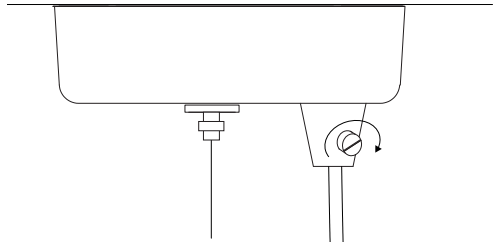
- ⑫ Cut off the extra wire.





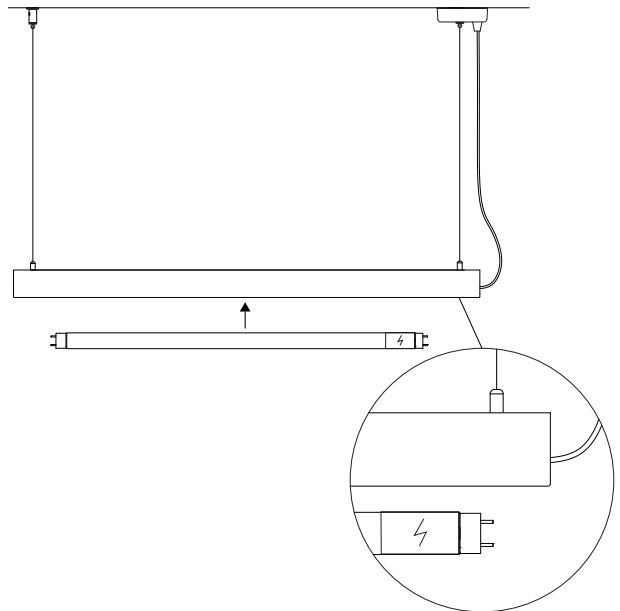
# GEJST

- ⑬ Tighten the cable relief on the ceiling cup (Part E).



- ⑭ Insert the LED tube (Part B) into the lampshade (Part A). Please make sure to place the LED tube with the L and N towards the cable.

Fasten the LED tube (Part B) by holding the lamp and turn the LED tube with your thumbs 90 degrees.



# GEJST

- ⑮ RADENT pendant lamp is now assembled.

