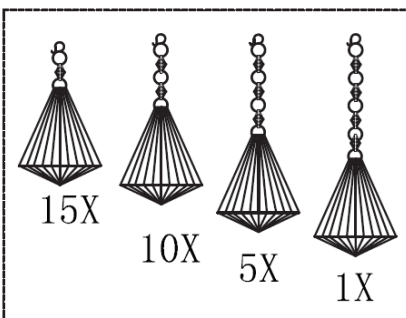
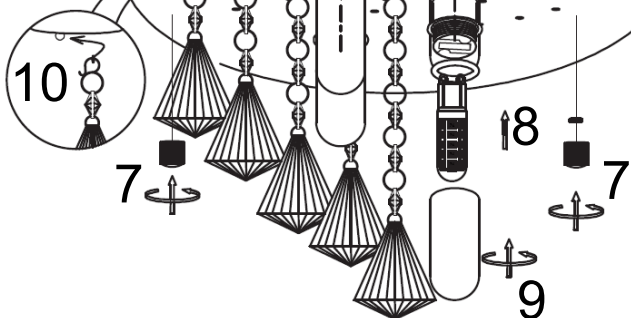
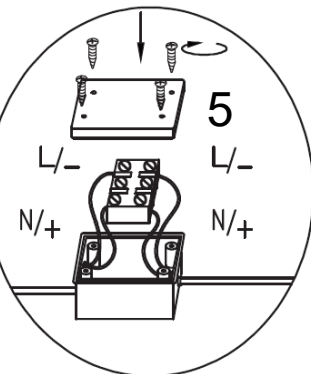
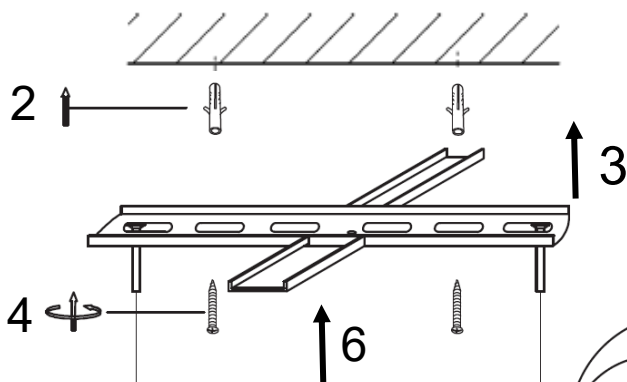
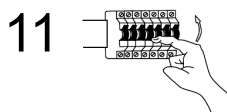
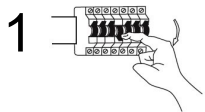


searchlight



2204-4



APPROVED  
23-08-2021  
ISSUE 1  
Q.C

**SAFETY INFORMATION: (Please retain for future reference)**

- Always turn off the mains supply before commencing the installation of this fitting .
- This is a Class 2 product and not requires an Earth connection – 230 (240) Volts – 50Hz AC.
- This product must be installed in accordance with the national building regulations, if in doubt consult a competent electrician.
- Do not stare at the operating lamp .
- Do not modify or alter any product before or after installation. This may Invalidate your warranty and may render the product un-safe.

**MAINS SUPPLY**

**LIGHT FITTING**

LIVE - Possible colours : Red or Brown

LIVE

NEUTRAL - Possible colours : Black or Blue

NEUTRAL

**POSITION**

- This fitting is suitable for installation in Indoor locations only .
- Ensure sufficient access to the fitting to enable safe maintenance.
- The Luminaire should be positioned so that prolonged staring into the luminaire at a distance closer than 0.2m is not expected

**LED INFORMATION:**

- We recommend LED lamps only.
- Do not exceed the maximum wattage and bulb type stated on the lamp holder.
- This fitting is suitable for dimming when use dimmable LED bulbs.

**AFTERCARE AND MAINTENANCE:**

- Always disconnect power supply when servicing or cleaning.
- Clean only with a dry or slightly damp cloth.
- Do no use any abrasive cloths or cleaners as this may damage the product .

## BATHROOM FITTINGS INFORMATION:

This fitting is a IP44 Rated and is suitable for installation in Zone 2.

All installations must comply to guidelines which are based on a zonal concept similar to that used for the installation of lighting around swimming pools.

Each zone rating (IP) is determined by the degree of risk of electric shock.

**Zone 0** This is the area inside the bath or shower basin and is rated at IPX7.

**Zone 1** Refers to the area above the bath or shower up to a height of 2.25 metres and carries a minimum rating of IPX4.

**Zone 2** Covers an area 0.6 metres wide immediately next to, and all around zone 1, plus the area below 2.5 metres high directly over the bath or shower. Wash basins should also be treated as zone 2. The minimum rating here is IPX4.

Where water jets are likely to be used for cleaning purposes in zones 1 and 2, the rating is a minimum **IPX5**.

**OUTSIDE ZONE** Covers any area outside Zone 1 and Zone 2. There is no special requirement in this Zone.

Bathrooms are now allowed to contain a socket outlet, this must be located 3m outside of Zone 1.

Lighting circuits and any socket-outlet circuit in a room containing a bath and/or shower must be provided with 30mA rcd protection.

**AREA AROUND SINKS** Covers up to 60cm.

Zone 2. IPX4 luminaires should be installed in this Zone.

