

# Artemide®

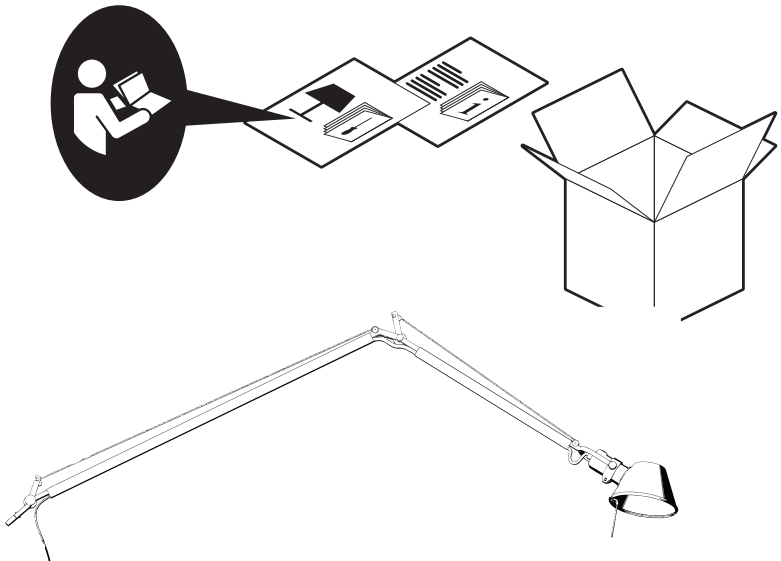
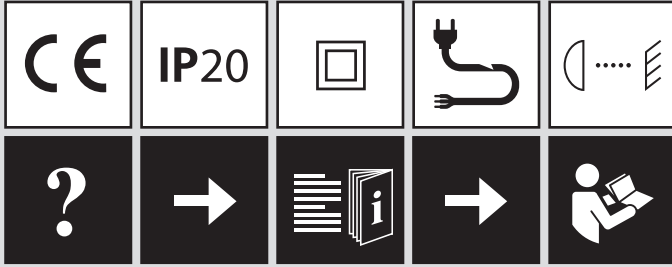
## Tolomeo Lettura

design  
M. De Lucchi  
G. Fassina

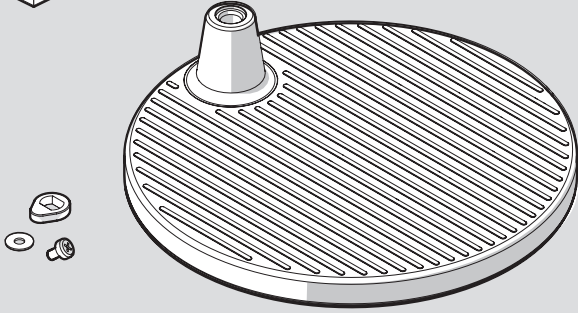




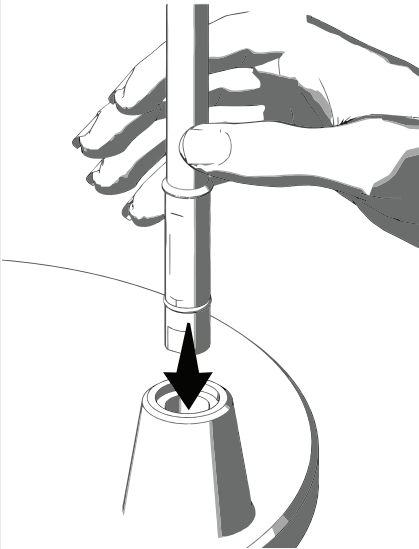
i



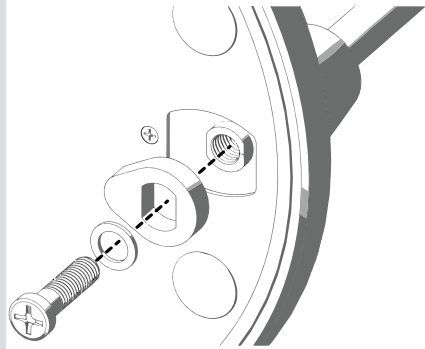
**i**



**1**

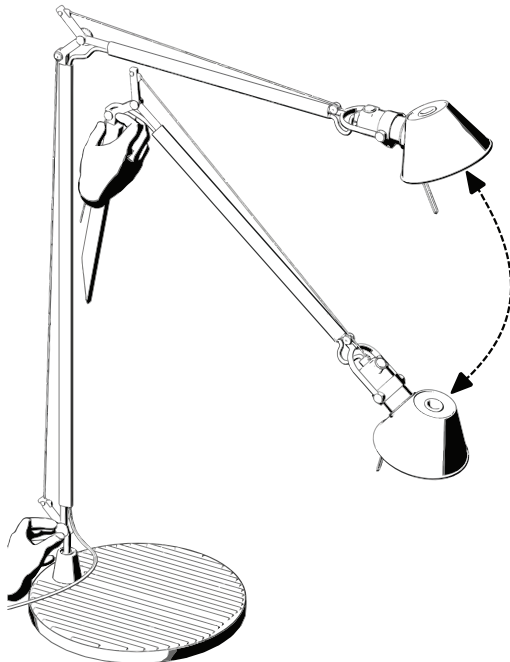


**2**

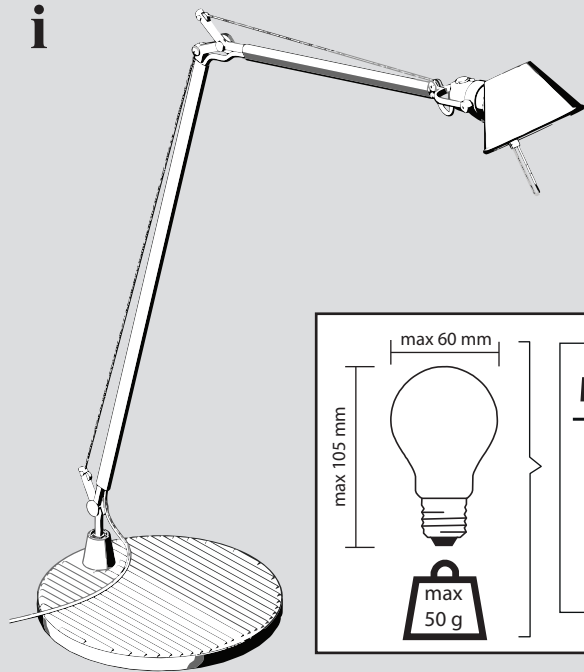




3



i



max 60 mm

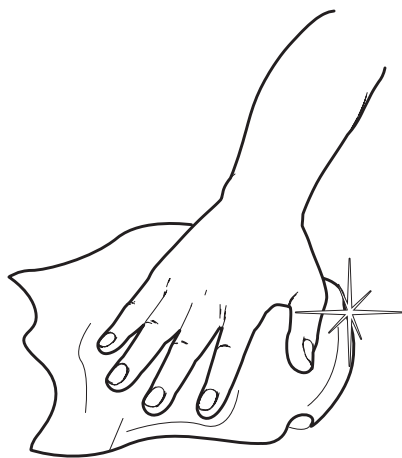
max 105 mm

max  
50 g

**MAX 77W - E27**

Halo: HSG - 1300 lm

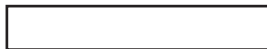
LED: DRAA - 1000 lm







**Artemide®**



**Artemide**

via Bergamo, 18  
20010 Pregnana M.se (MI)  
ITALIA

tel. +39 02 935 181  
fax +39 02 935 90 254  
fax +39 02 935 90 496

[www.artemide.com](http://www.artemide.com)

VAT IT00846890150

cod. Y513000585