

PROCEDURE

This product must be installed in accordance with the applicable installation code by a person familiar with the construction and operation of the product and the hazards involved. Do not install insulation within 50mm of fixture sides or wiring compartment, nor above fixture in such a manner to entrap heat.

Technical specification:

500mA constant current
 flexi-arm 300mm
 2W LED
 surface mounted

Mounting plate:

Use the provided screws to mount the plate on the surface. Take care of the drill hole dimensions and distances.

Wiring:

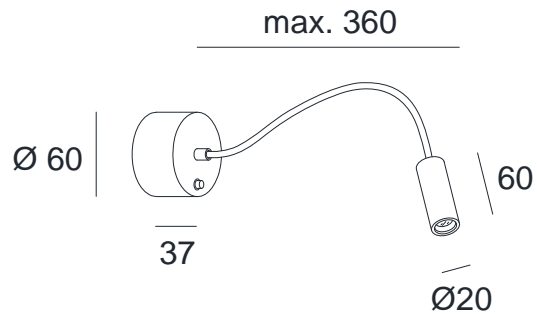
Connect the built-in driver of the ZOOM T FLEX to 230V /AC voltage with the provided clamp. Connect the earth cable with the housing.

Beam angle:

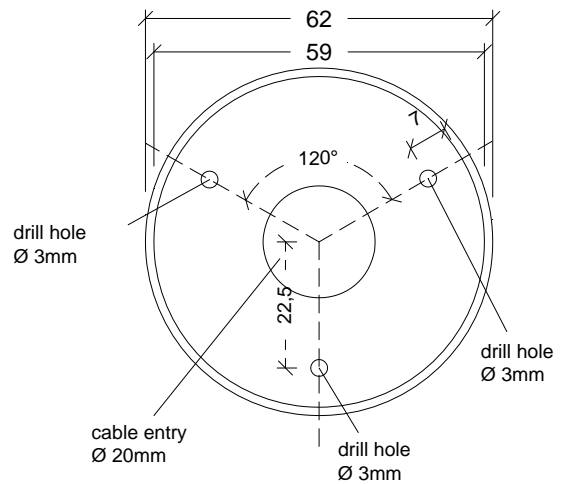
By rotating the head you can manually focus the LED from 15° to 60°.

IMPORTANT SAFETY INSTRUCTIONS:

- READ all the instructions before installation. Save instructions for later use.
- MIN 60°C SUPPLY CONDUCTORS.
- Turn off power at fuse or circuit breaker box before installation or before doing any maintenance work.
- Product must be mounted in locations and at heights and in manner consistent with its intended use, and in compliance with National Electric Code and local codes.
- Installing contrary to instructions may cause unsafe conditions.
- Warning: Risk of fire. Consult a qualified electrician before installation.
- To avoid hazards to children, account all parts and properly dispose of all packaging materials.
- If there are any installation questions, contact us at <http://www.dslighting.com>



Mounting plate:



Wiring:

