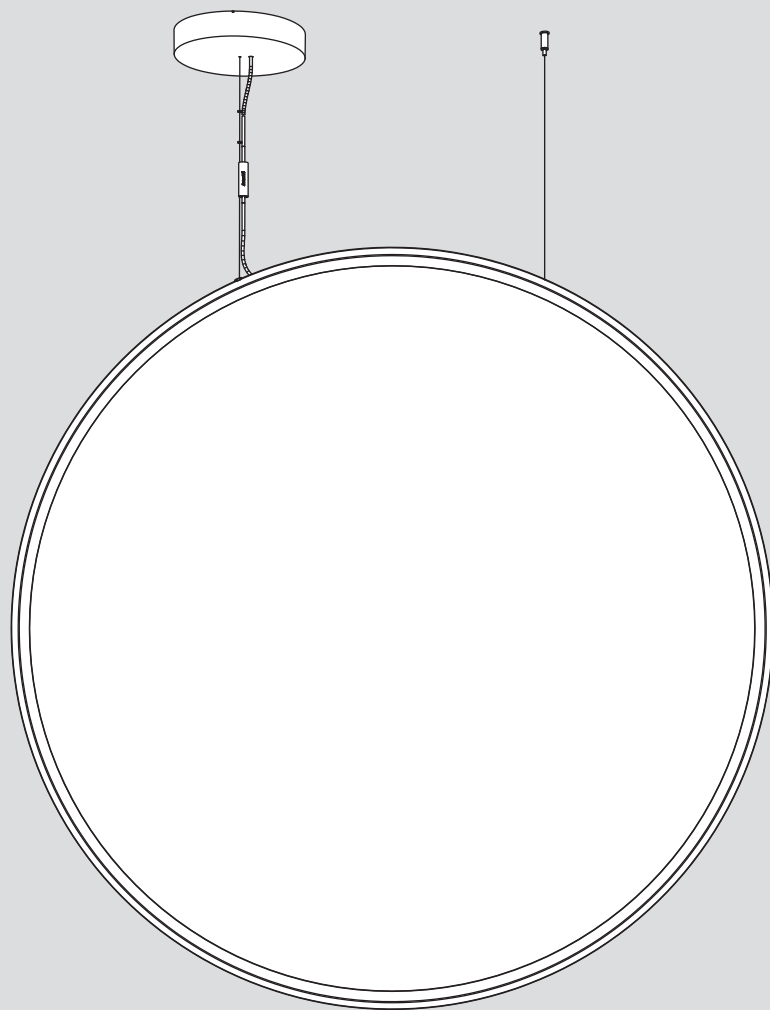


# Artemide®

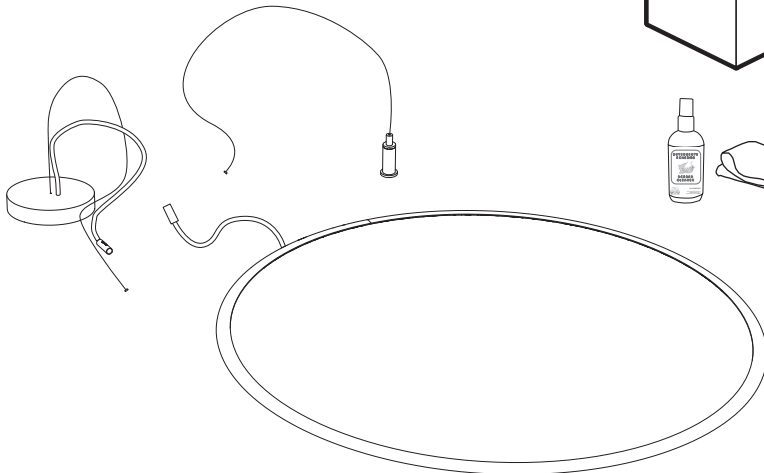
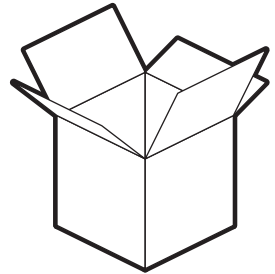
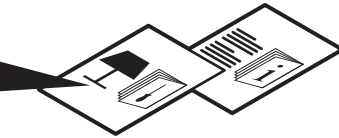
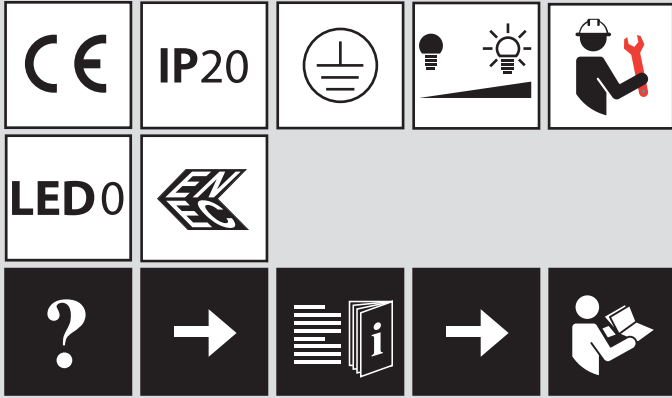
## Discovery Vertical 140

design  
E. Gismondi

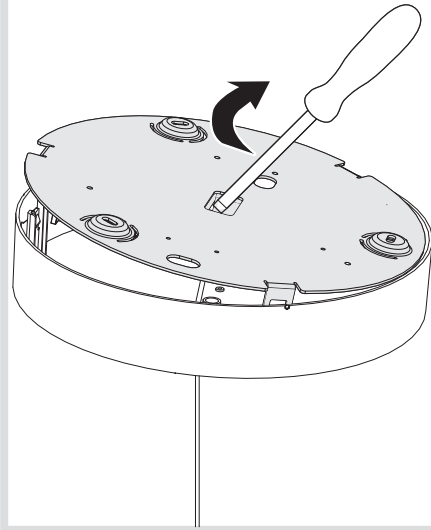




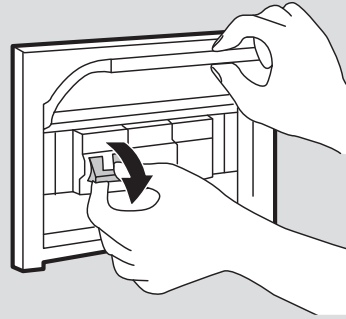
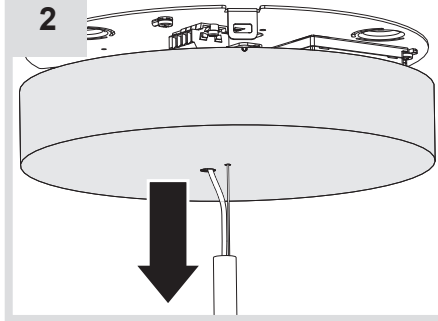
i



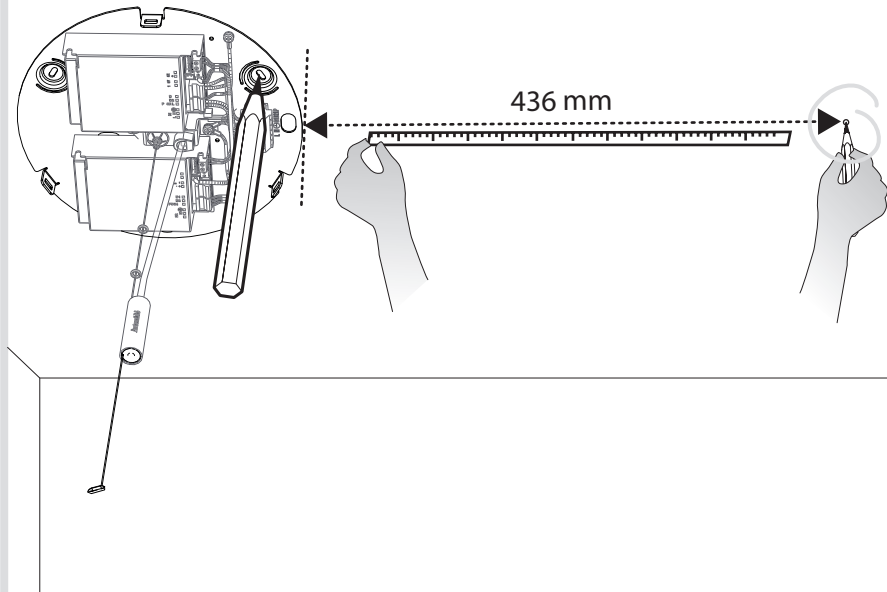
1

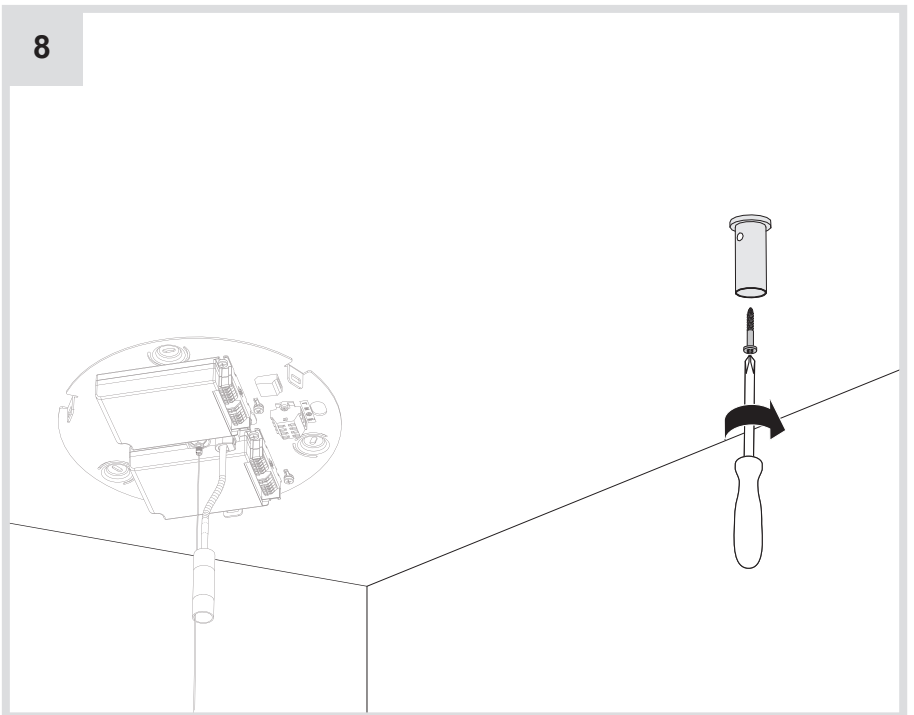
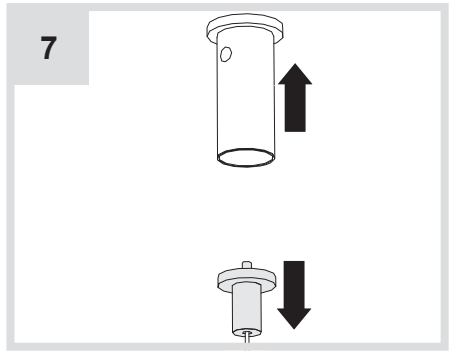
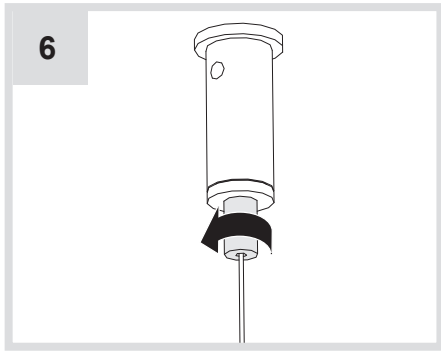
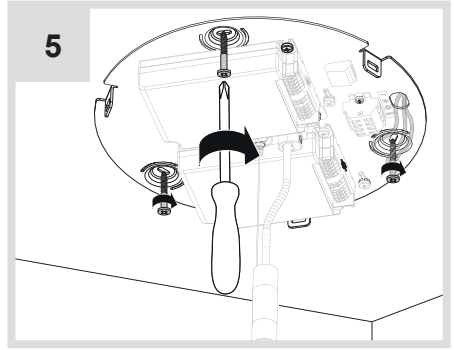
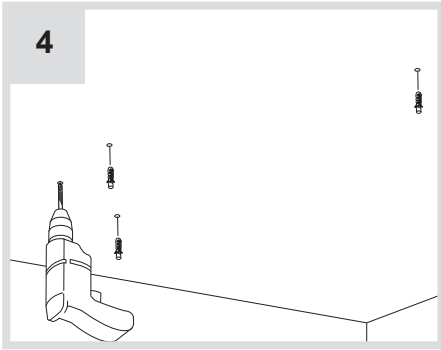


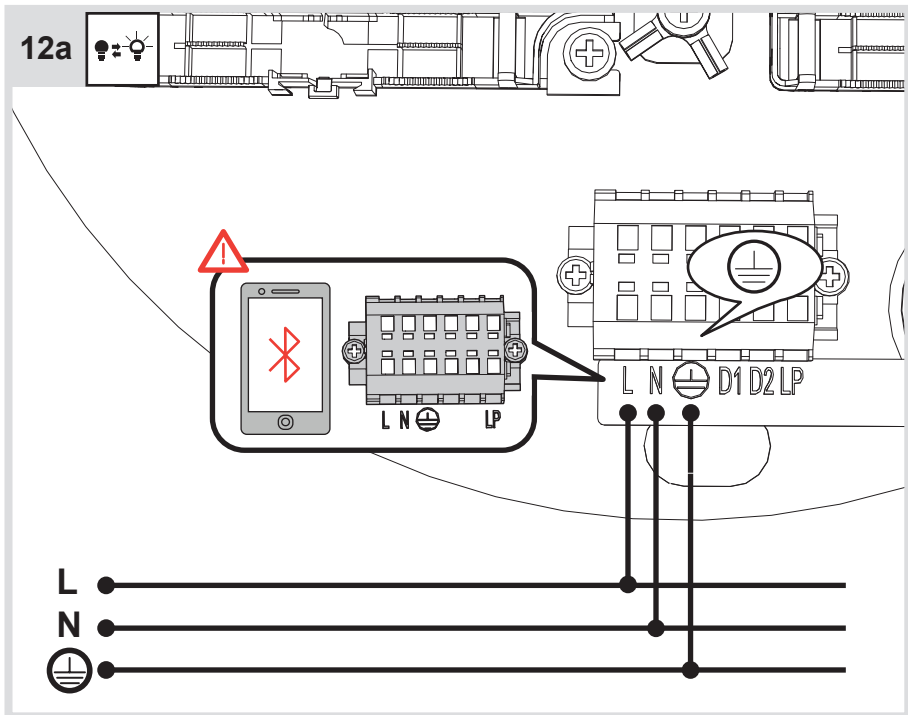
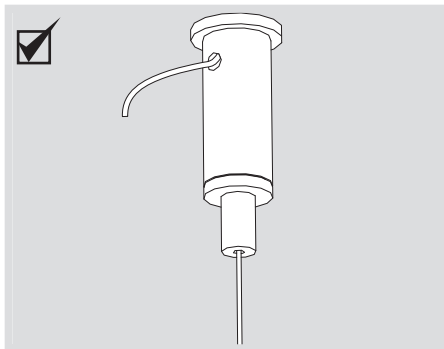
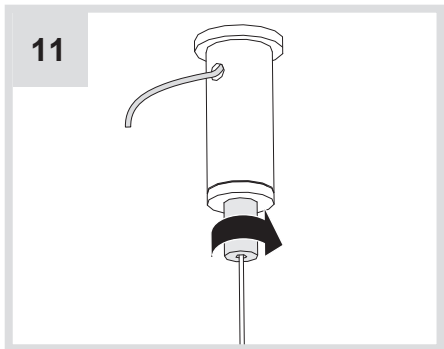
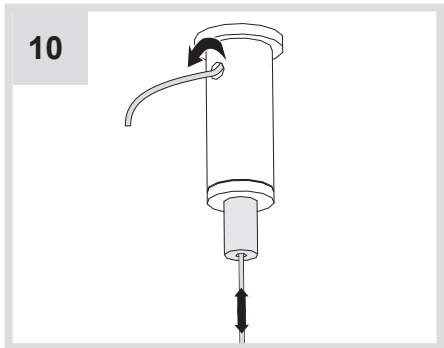
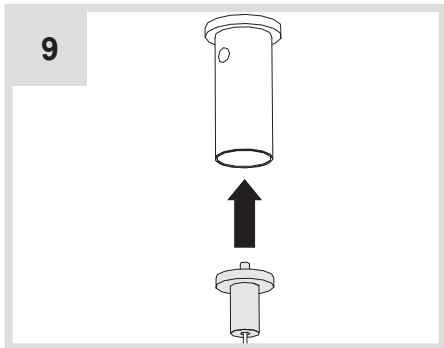
2



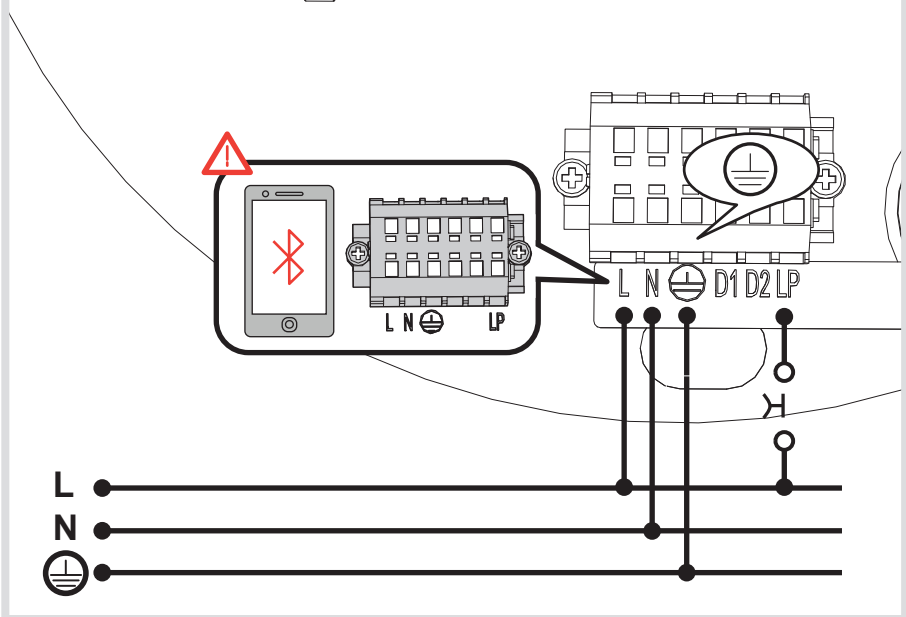
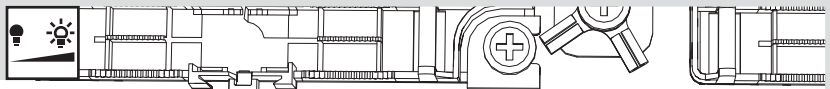
3



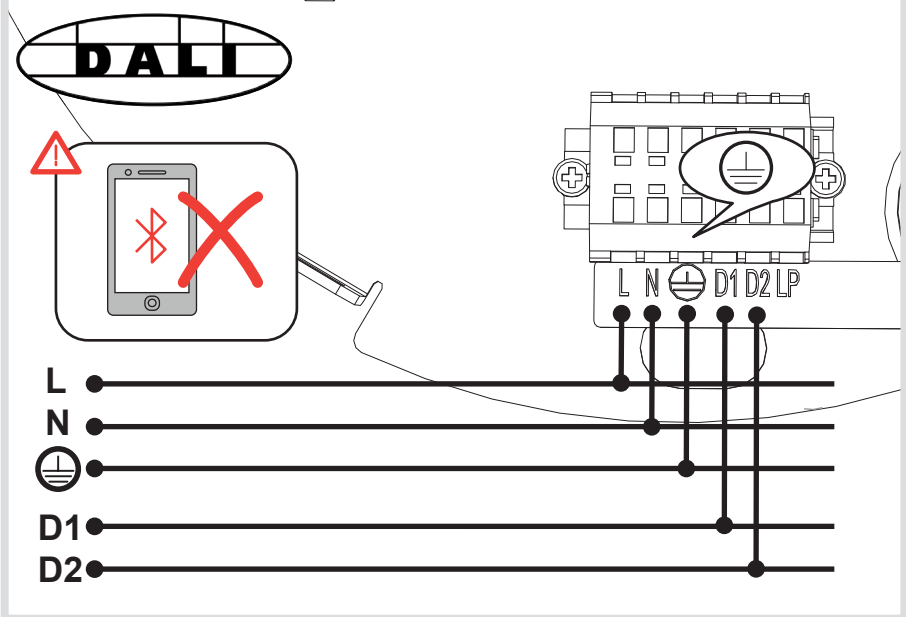
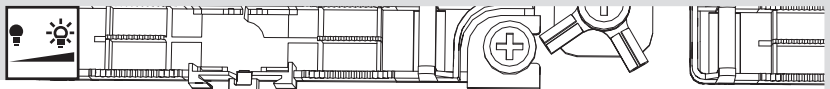




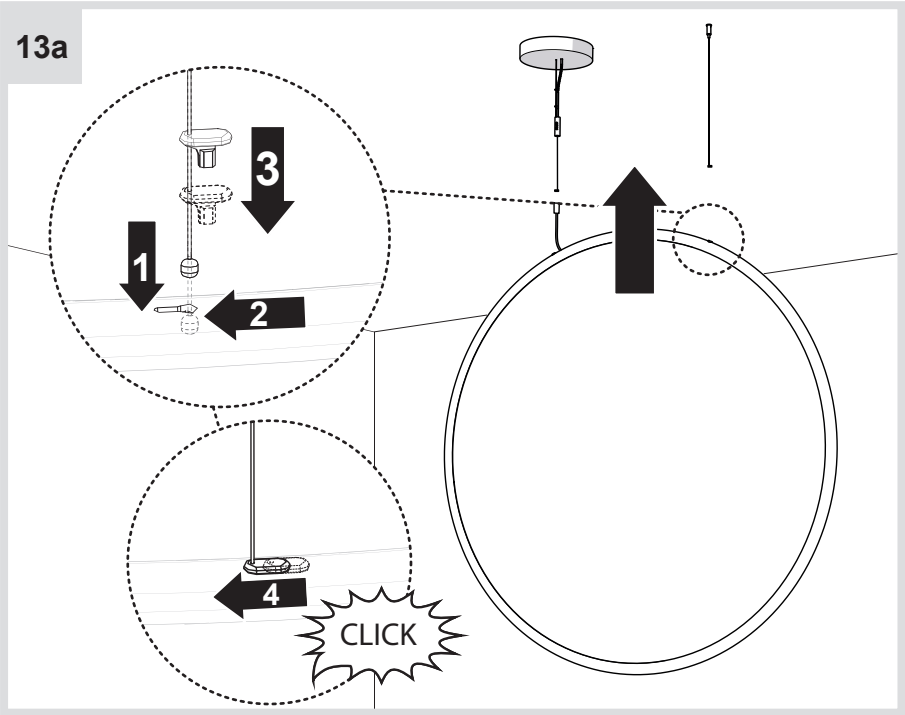
12b



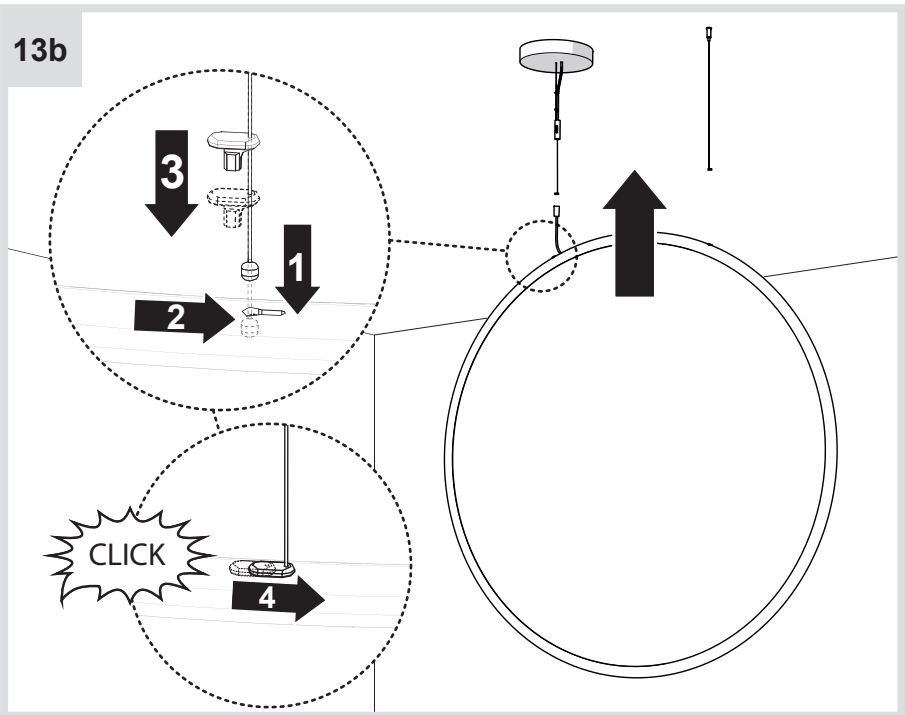
12c



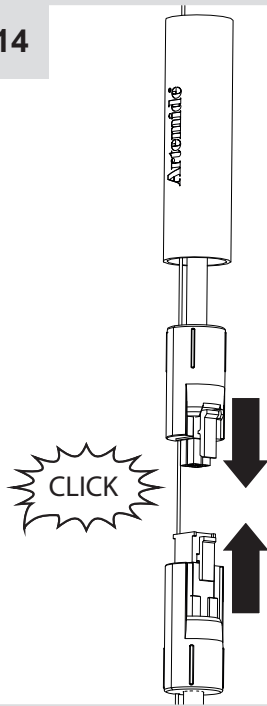
13a



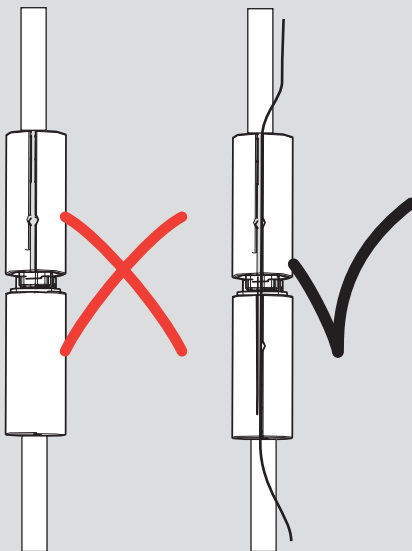
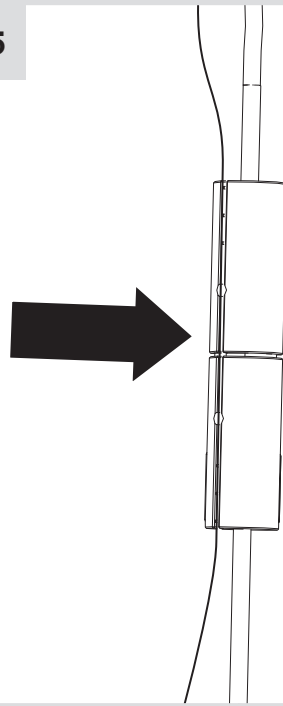
13b



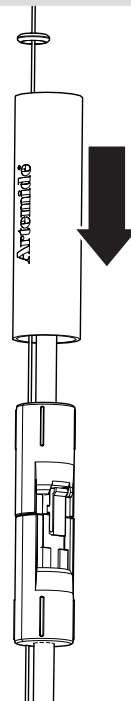
14



15



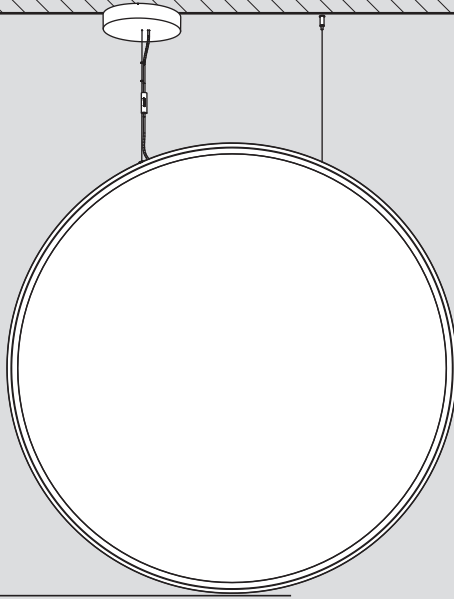
16



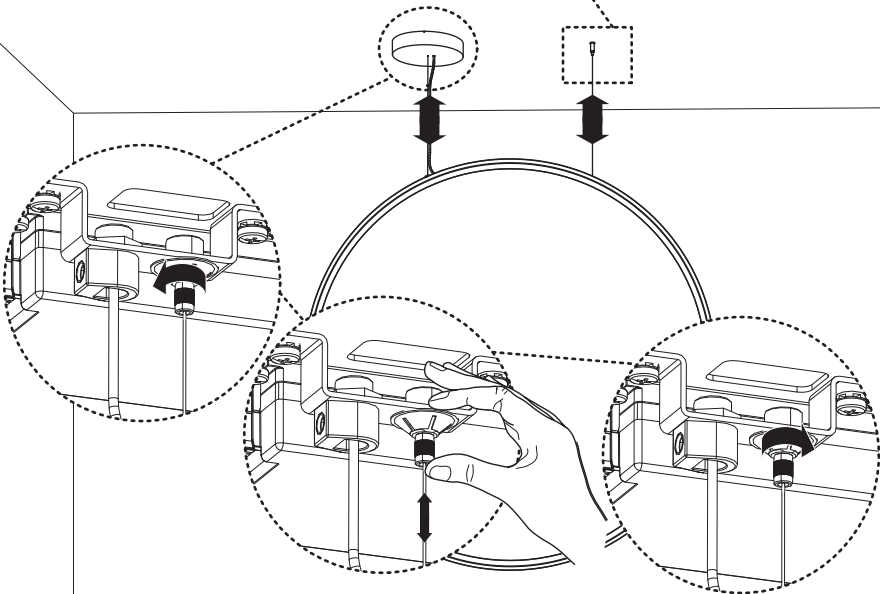


**i**

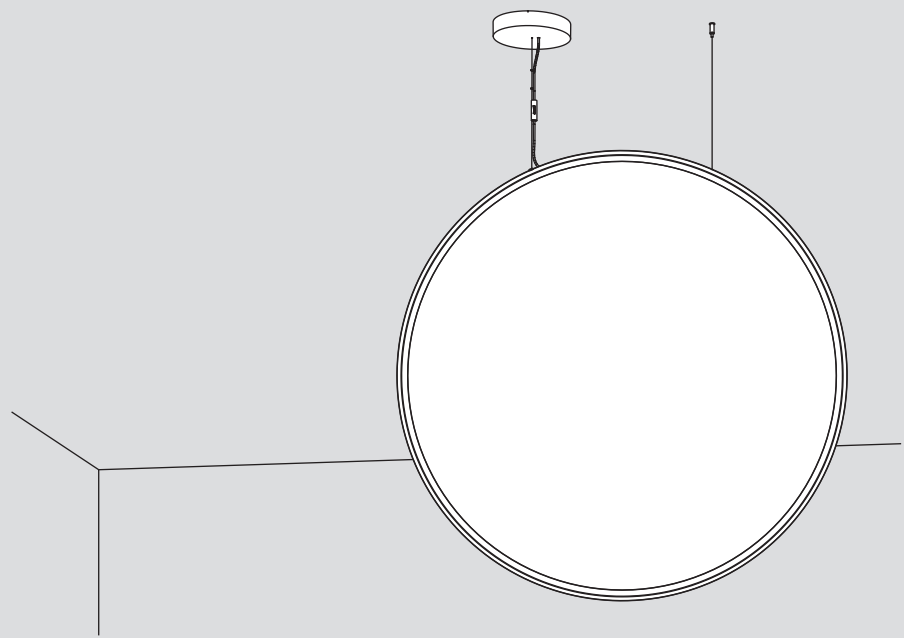
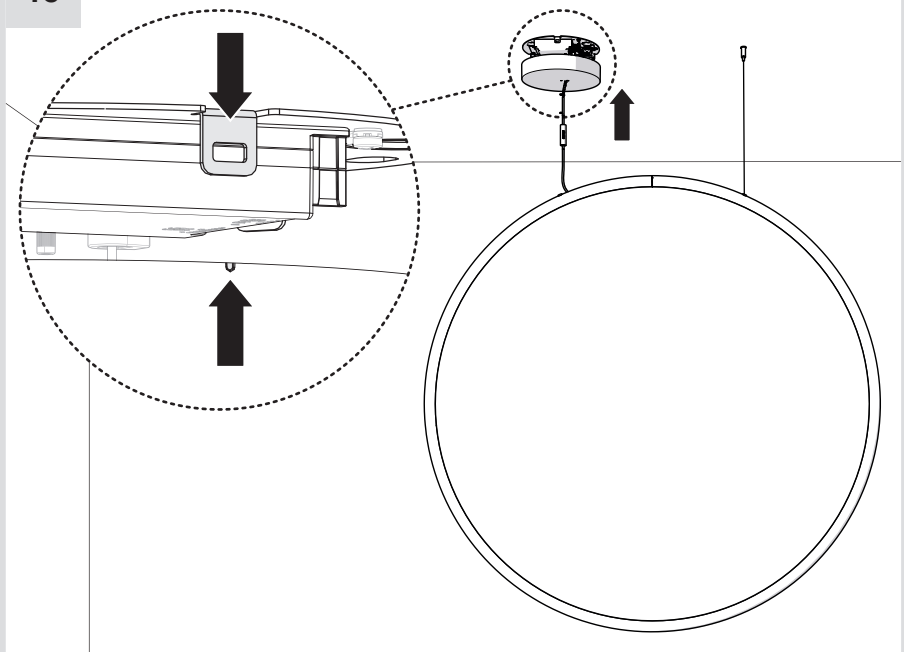
Min 1800 - Max 2800 mm



17



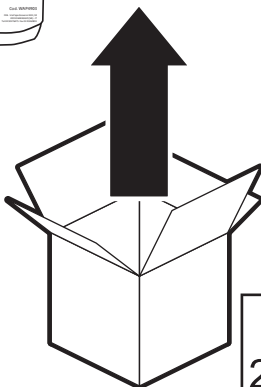
18



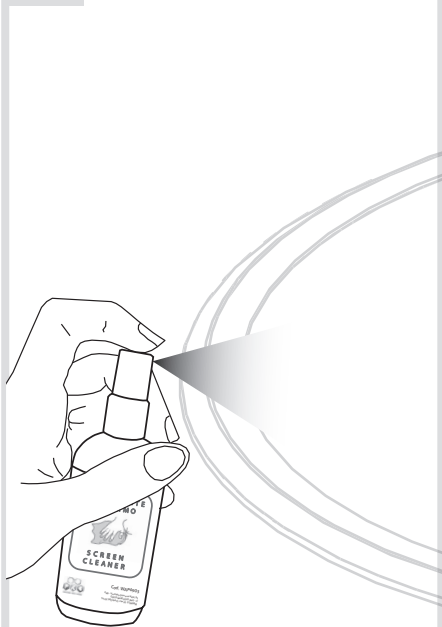


1

WAP4903



2



3



**Artemide®**



**Artemide**

via Bergamo, 18  
20010 Pregnana M.se (MI)  
ITALIA

tel. +39 02 935 181  
fax +39 02 935 90 254  
fax +39 02 935 90 496

[www.artemide.com](http://www.artemide.com)

VAT IT00846890150

cod. Y513001026A