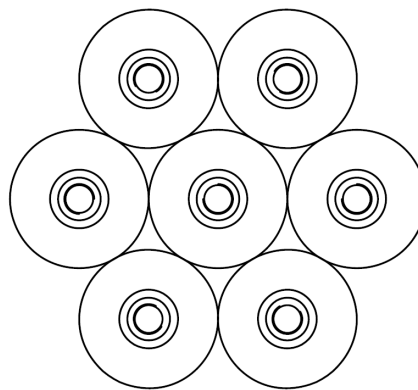
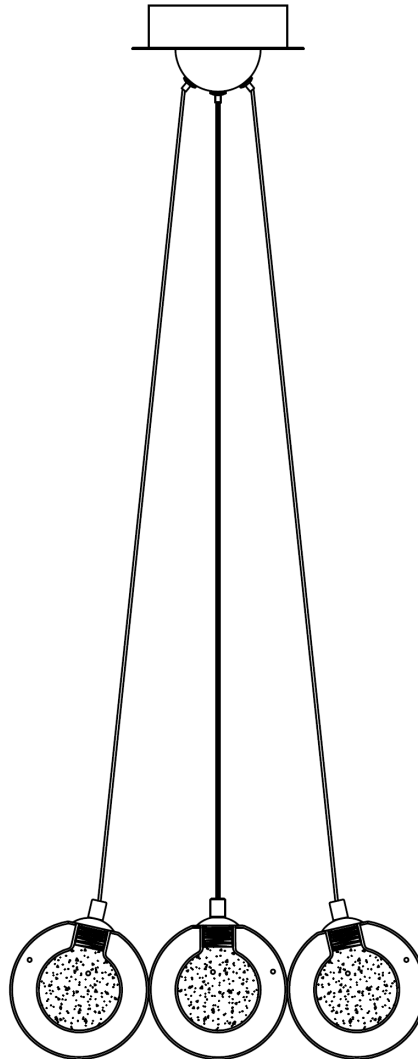
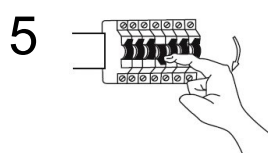
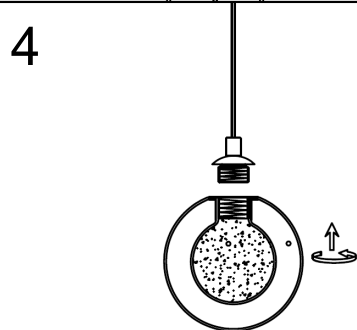
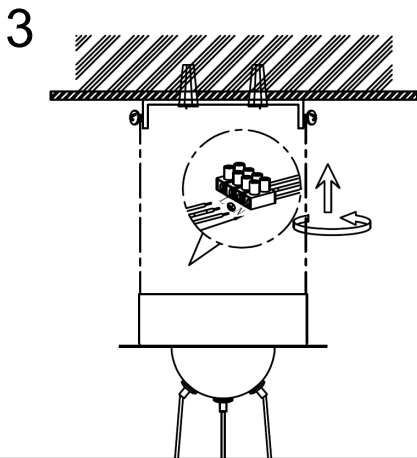
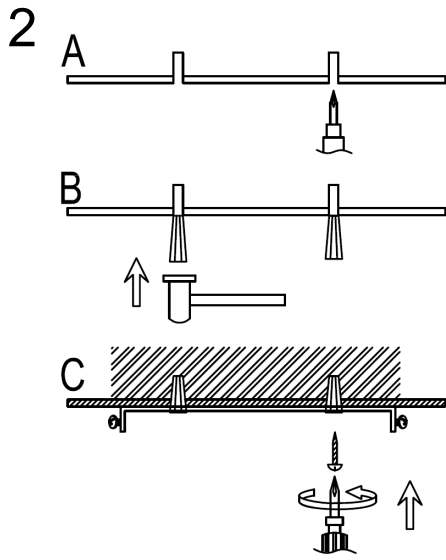
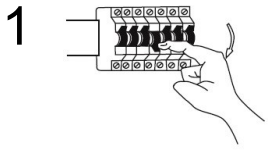




Q.C APPROVED
13/01/2020
ISSUE 1



INCOMING SUPPLY

