



Yale Smart Safe

You value it. We protect it.

Protect your valuables, like documents or jewellery with the Yale Smart Safe. Unlock the safe or share access with people you trust from anywhere, through your Yale Access App on your smartphone. No phone? Unlock your Smart Safe using your Apple Watch, the keypad or the physical key.



**Works with
Yale Access***

Unlock your safe, send access codes and view access from anywhere



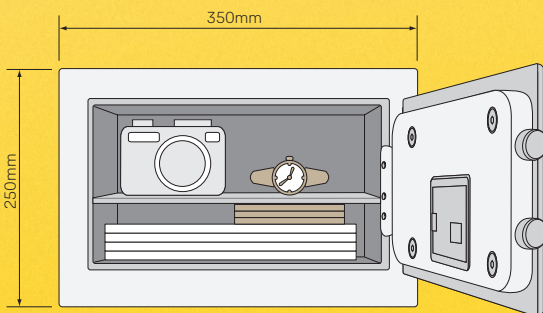
**Activity
monitoring**

Know when someone has unlocked your safe



**Convenient
access**

Use entry code or physical key



Internal Dimensions: 242 x 345 x 244.5mm (H,W,D)
External Dimensions: 250 x 350 x 300mm (H,W,D)
Door: 290 x 180mm (W,H)
Volume: 20.5 litres



- Laser cut door for protection against break-ins
- Locking mechanism with two anti-saw locking bolts (20mm)
- In case of dead battery, use 9V battery (not included) for quick access
- Lock down for five minutes after five incorrect attempts
- Internal light for contents to be easily seen
- Includes keyhooks and removable shelf

Trusted every day

*Remote access & voice control (Google Assistant & Alexa) require a Yale Connect Wi-Fi Bridge

Specifications

Physical security	Laser cut door and anti-saw bolts for protection against attacks	Mounting	Secure with included bolts
App security	Two-layer encryption, biometric verification and two-factor authentication	Automatic door	Automatic door opening mechanism
Communication frequency between Smart Safe and accessories	Bluetooth – 2.4GHz	Additional features	Internal light gives you clear visibility of your valuables. Shelf & internal hooks for hanging keys or small items
Technology between Smart Safe and smartphone	Bluetooth directly or via Bluetooth and Wi-Fi if a Yale Connect Wi-Fi Bridge is paired.	Weight	12.1kg
Keypad access	Set entry codes for phone-free access	Requirements	Requires free Yale Access App for iOS or Android. Yale Connect requires Wi-Fi internet connection and a power socket within 3 metres of safe
Key access	Mechanical override that includes 1 double bitted key	In the box	<ul style="list-style-type: none"> • Yale Smart Safe • Mounting Hardware • 4 AA Batteries • Physical Key
Tamper resistant	Locks down for five minutes after five incorrect attempts. Tamper alarm sounds after five incorrect attempts	SKU Numbers	YSS/250/EB1

Smart together

Works with your favourite voice assistants**



Connects with:

Connect with other accessories and other products from Yale Access Range to open even more possibilities. Check out our website for more info.



Yale Connect Wi-Fi Bridge

for remote functionalities and voice assistant
(Sold Separately)



Yale Smart Cabinet Lock

Keep things safe inside your home. Secure cabinets or drawers storing medicines, cleaning supplies or important documents.

How it works:

Download our free Yale Access app on iOS and Android.



Unlock using your smartphone or Apple Watch via Bluetooth



Available with the Yale Connect for away from home access via Wi-Fi



** Set up as a home hub requires a Yale Connect Wi-Fi Bridge or an Apple TV® (3rd generation or later)

Apple, the Apple logo and iPhone are trademarks of Apple Inc., registered in the U.S. and other countries and regions.

App Store is a service mark of Apple Inc.

Google, Android, and Google Play are trademarks of Google LLC.

Google Assistant is not available in certain languages and countries.

Amazon, Alexa and all related logos are trademarks of Amazon.com, Inc. or its affiliates

For information on Amazon Alexa skills and country compatibility please refer to Amazon's website.

To control this HomeKit-enabled accessory, the latest version of iOS or iPadOS is recommended.

www.yalehome.com



Part of ASSA ABLOY