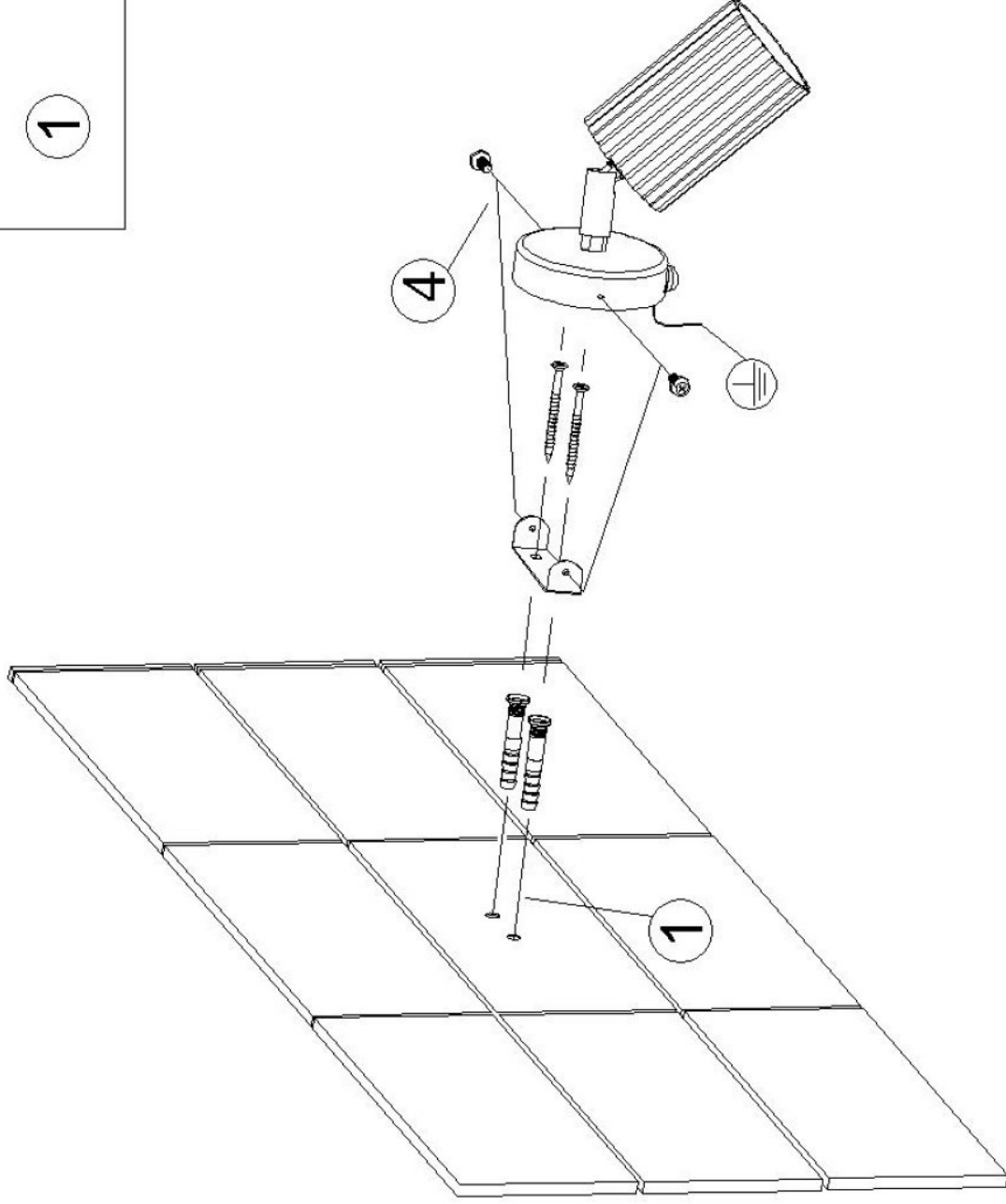
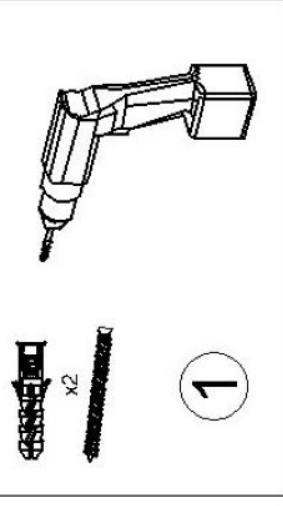
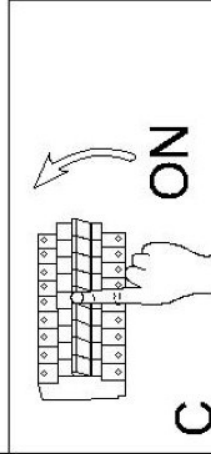
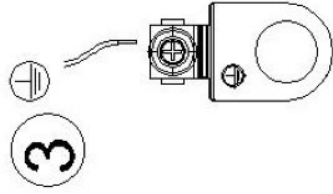
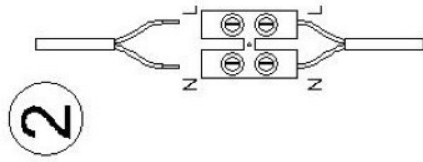


**B**



Instrukcija montažu / installation instructions / Montageanleitung  
Kinkiet / Wall lamp / Wandleuchter