

Safety Instructions



0,1,2,4,6,7,8,9,11,15,
20,22,26,27



Info Hotline

+49 (0) 5041 998 389

Mon. - Do. 7⁰⁰ - 20⁰⁰

Fr. 7⁰⁰ - 17⁰⁰

Paulmann Licht GmbH
Quezinger Feld 2
31832 Springe/Germany
www.paulmann.com


Art.-Nr.:

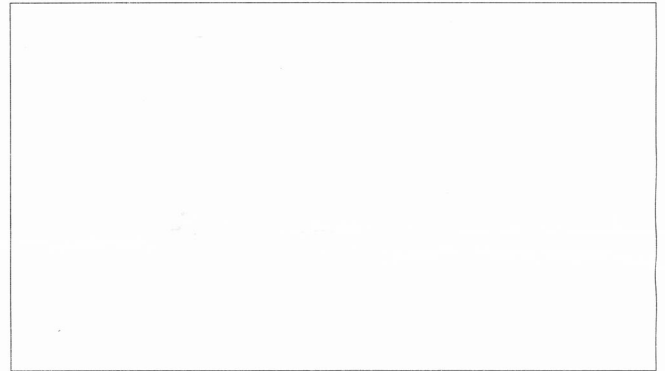
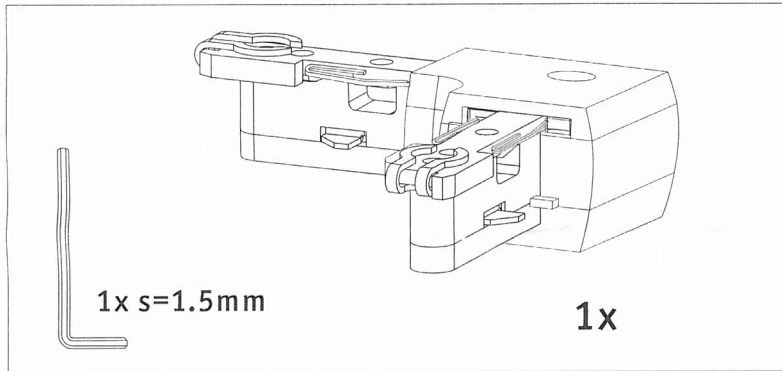
976.48

976.49

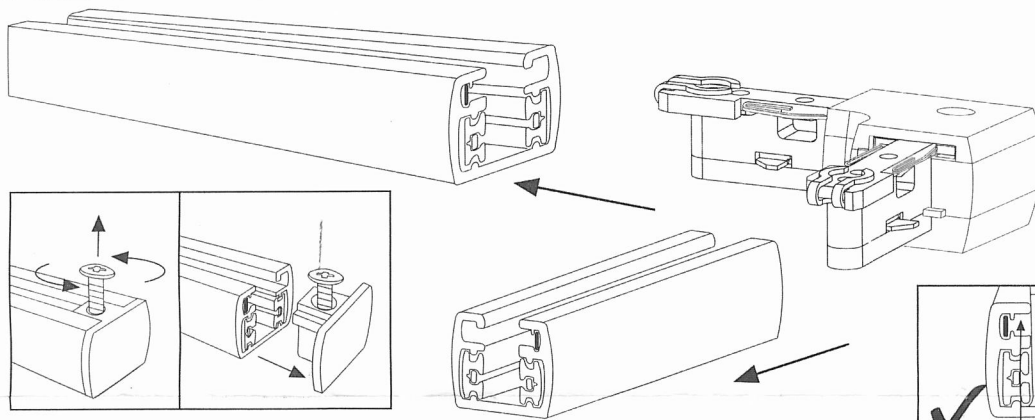
976.50

(+MA 173)

PH07/16 

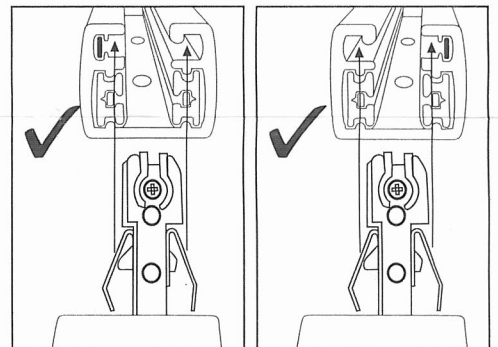


A

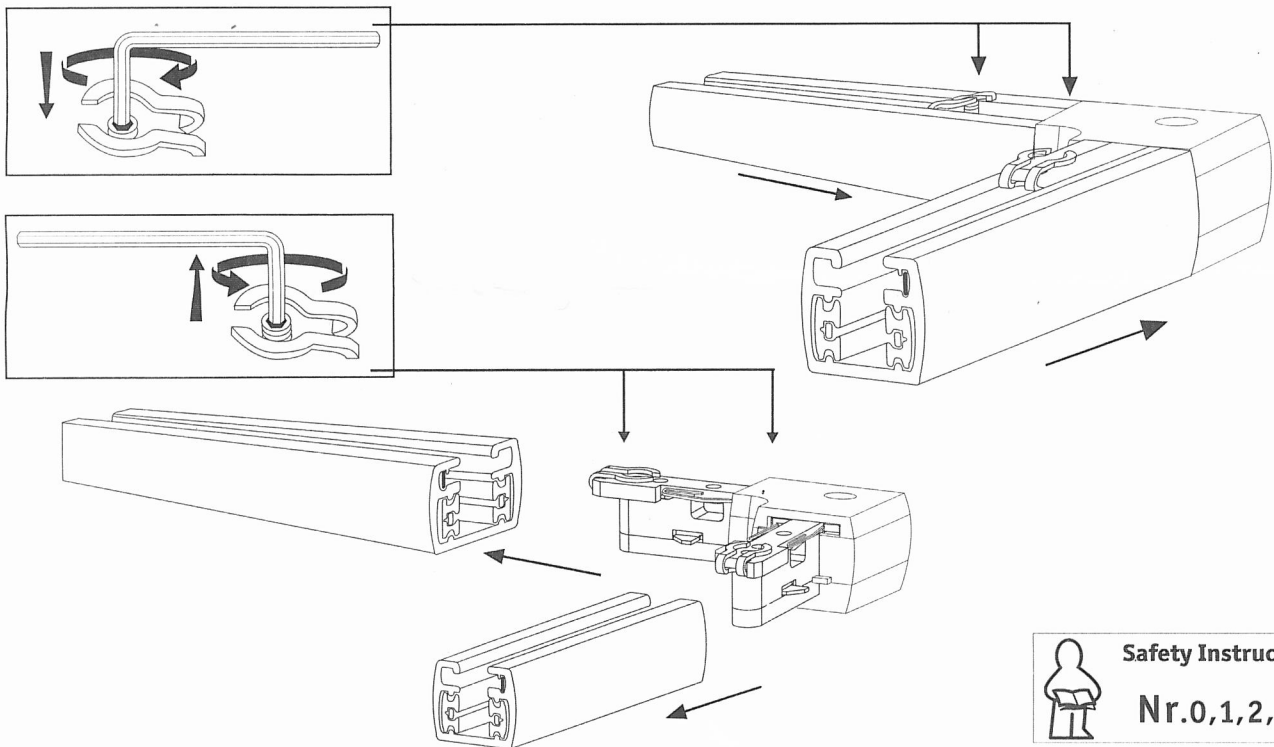


Safety Instructions

Nr.0,1,2,4



B



Safety Instructions

Nr.0,1,2,4