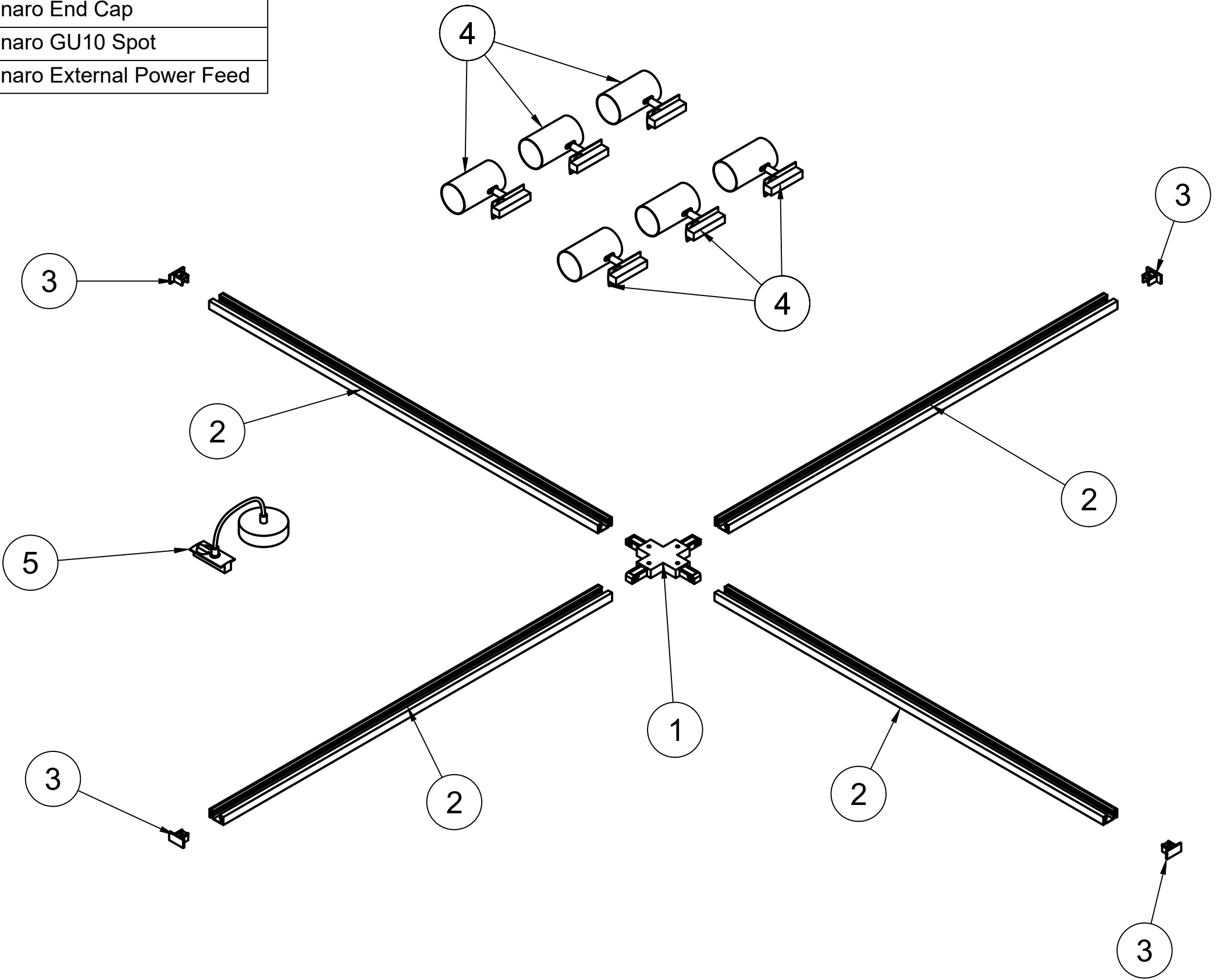
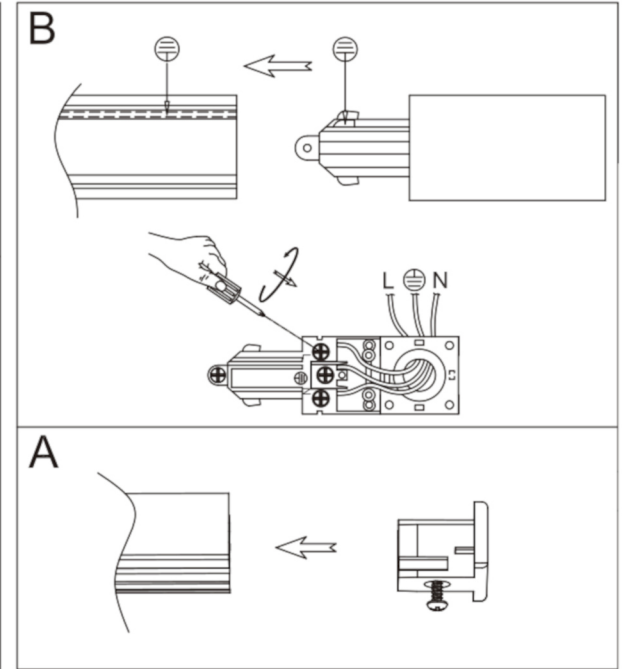
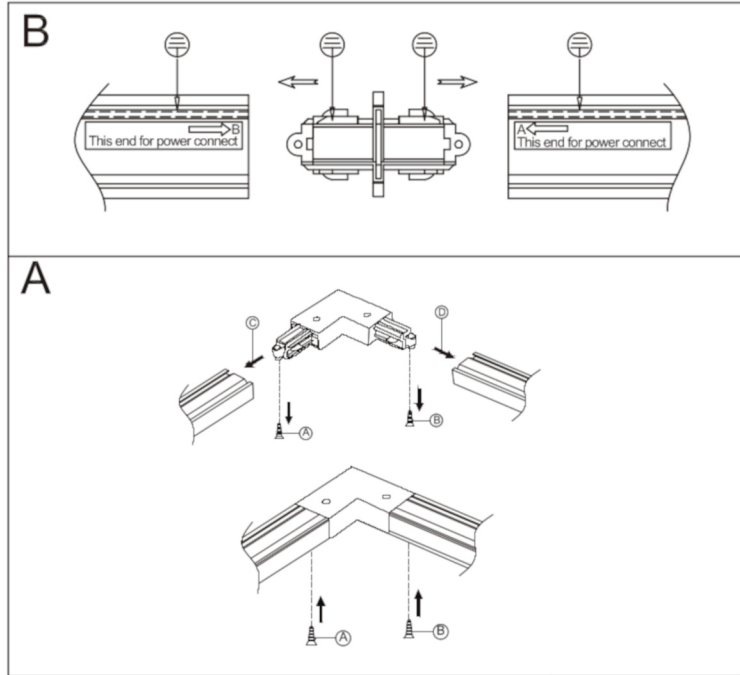
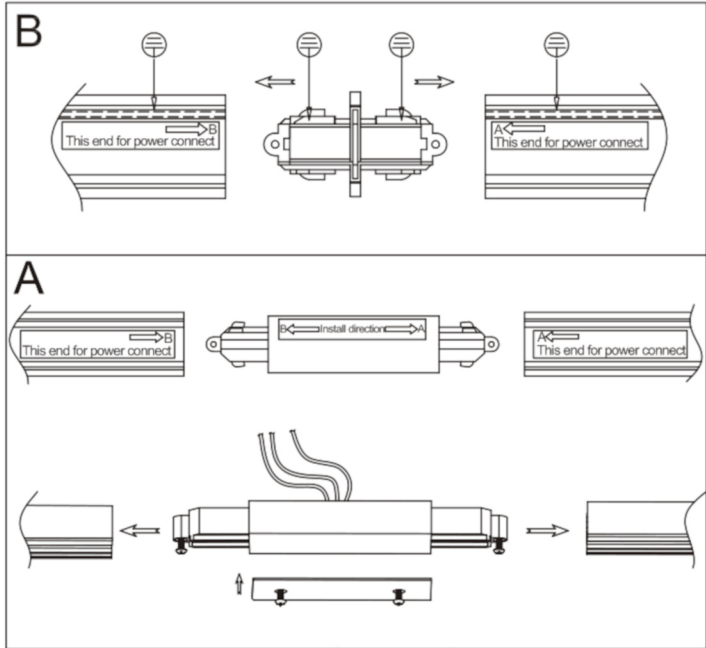
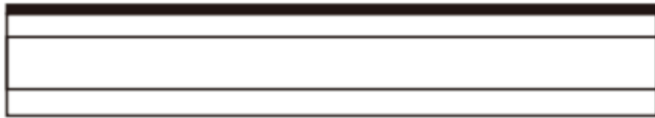
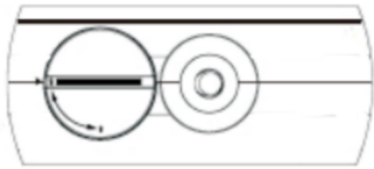


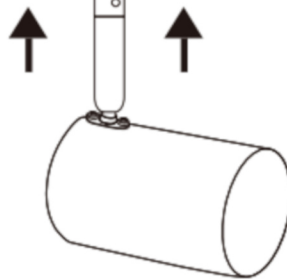
Parts List			
Item	Qty	Part Number	Description
1	1	9627173 / 9627174	Linaro X Connector
2	4	9627158 / 9627159	Linaro 1m Track
3	4	10024642 / 10024643	Linaro End Cap
4	6	9627146 / 9627147	Linaro GU10 Spot
5	1	9627149 / 9627150	Linaro External Power Feed





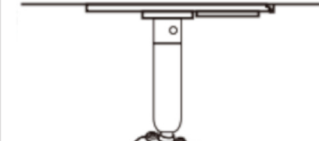


Please check the diection.
Earth connection is only given
when line on the base of the
spot is on the same side as the
line on the track



Example Spot

unlocked



Example Spot

locked

