

# Installation Manual

## LED Tri-proof Light PROLine

### Schritt Wiring Method

- Single Wired

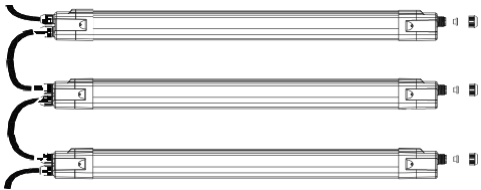


- Linkable (Double Wired)

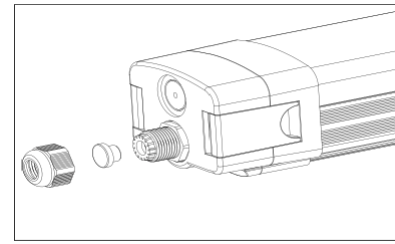
Option 1:



Option 2:



Protection cap



How many LED fixtures we could connect on one line

Input Voltage	Max. Qty	Input Voltage	Max. Qty
230VAC/20W	36	230VAC/50W	15
230VAC/30W	24	230VAC/60W	12
230VAC/40W	18	230VAC/100W	7

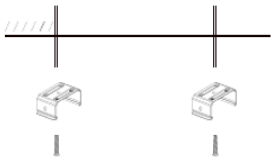
## Installation Drawing

Schritt

### Mounting Installation Kits and led tri-proof light

#### Ceiling Mounted

Make a right position and screw hole in Ceiling



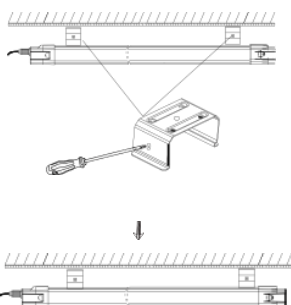
Fix the clip into ceiling  
Screw in the clip



Click into the tri-proof light

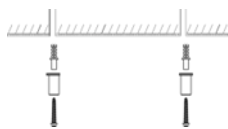


Fix the screw by driver

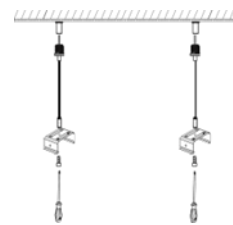


#### Suspension

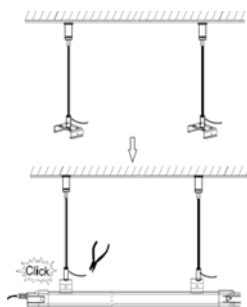
Make a right position and screw hole on Ceiling



Fix mounting hook into ceiling  
Install the clip



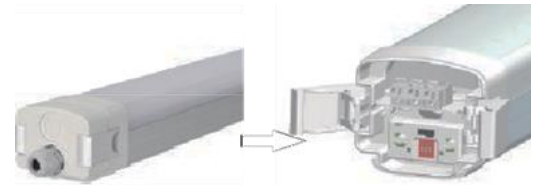
Click into the lamp  
Then adjust the length of suspension kits



Schritt

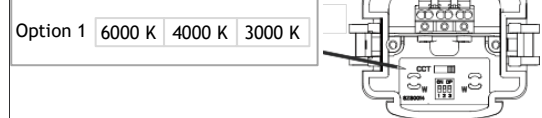
### Wattage/CCT setting

Open the end cap, then Wattage/CCT setting



- CCT setting (Option)

Before use, always check CCT setting:



- Wattage setting (Option)

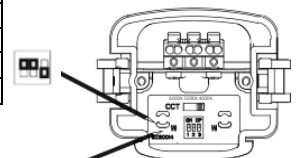
Before use, always check dipswitch setting:

Model NO.: 555.673067.33, 1,5 m

1	2	3	Power (W)
-	-	-	60
ON	-	-	55
-	ON	-	50
-	-	ON	40

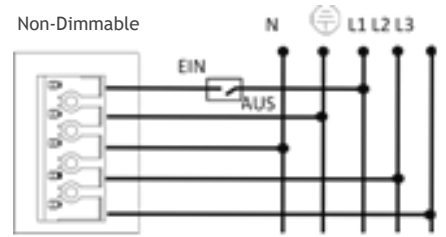
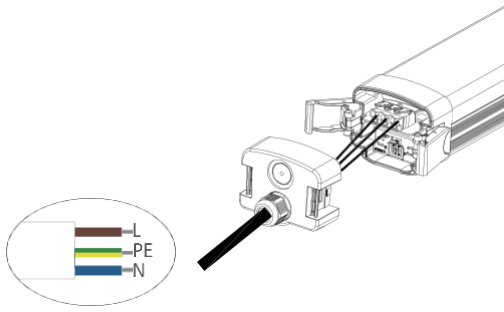
Model NO.: 555.673057.33, 1,2 m

1	2	3	Power (W)
-	-	-	50
ON	-	-	46
-	ON	-	42
-	-	ON	38

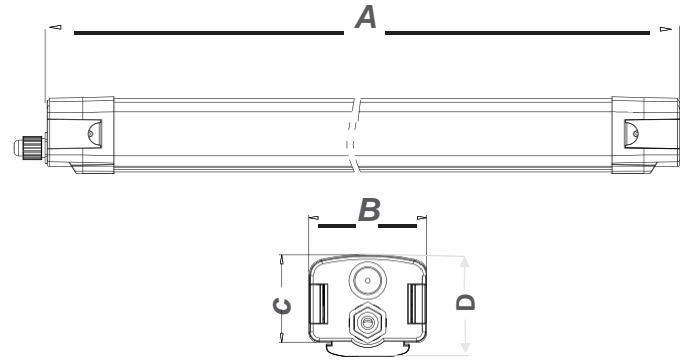
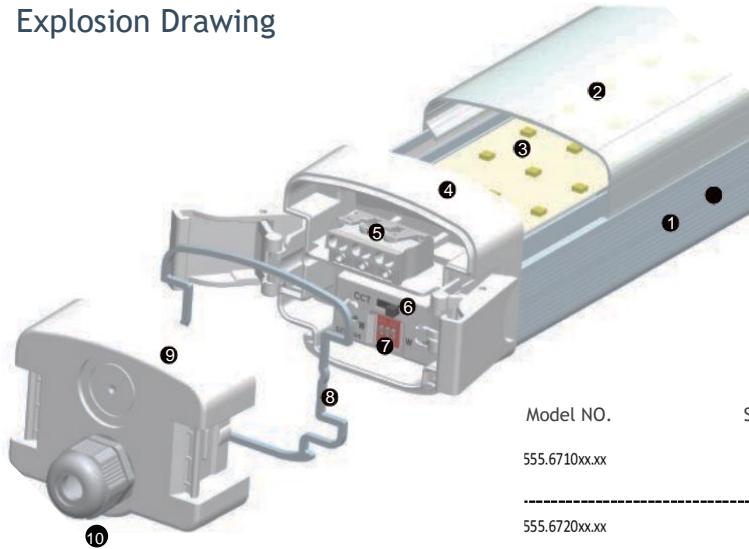


### Connecting Power Supply

The min. diameter is > 1,5mm<sup>2</sup>  
Cabel dimension: 8 mm-12mm



### Explosion Drawing



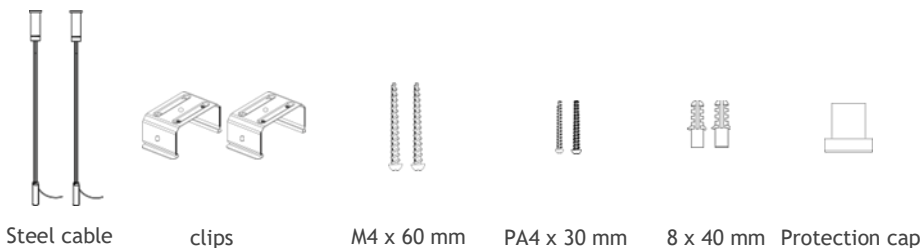
Model NO.	Size A (mm)	Size B (mm)	Size C (mm)	Size D (mm)
555.6710xx.xx	(600mm)	84	63	73
555.6720xx.xx	(1200mm)	84	63	73
555.6730xx.xx	(1500mm)	84	63	73

- (1) Aluminum Board
- (2) PC Cover
- (3) LED and PCB
- (4) Middle Cap
- (5) Terminal block
- (6) CCT Switch
- (7) Power Switch
- (8) Waterproofing Silica Gel
- (9) End Cap Cap
- (10) Cable Gland

### Maintenance

- To avoid injuries, disconnect power to the light and allow the unit to cool down before performing maintenance.
- Perform visual, mechanical and electrical inspections on a regular basis. We recommend routine checks to be made on an annual basis. Frequency of use and environment should determine this.
- The Covers should be cleaned periodically as needed to ensure continued photometric performance. Clean the Cover with a damp, non-abrasive, lint-free cloth. If not sufficient, use mild soap or a liquid cleaner. Do not use an abrasive, strong alkaline or acid cleaner as damage may occur.
- Inspect the topside on the luminaire to ensure that it is free of any obstructions or contamination (i.e.excessive dust build-up) Clean with a non-abrasive cloth if needed.

### Accessory



### Safety notes:

The installation and connection of the luminaire must be done when switched off and by qualified people.

Make sure no voltage while installation.

The manufacturer assumes no liability for damage caused by incorrect installation, improper use or modification of the luminaire. In order to ensure operational safety and function, the operating instructions must be followed.