



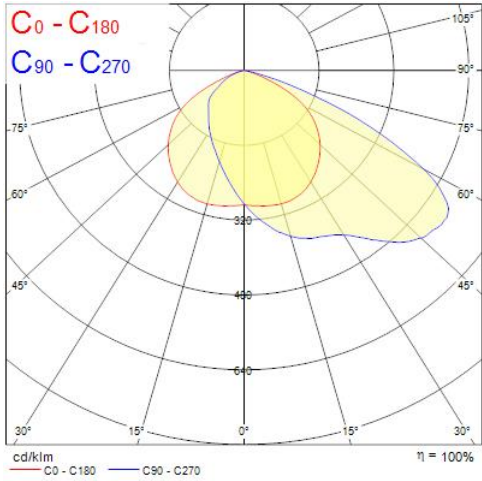
### Features

- Exterior LED Floodlight, comes complete with 1500mm flying lead and adjustable bracket, aluminium housing, clear glass diffuser, IP66, IK08, Class I, 4000K, Non-dimming, 6450lm, 50W, 129lm/W, CRI80, Asymmetrical Wide beam angle (65° x 120° imax@55°), 60000 hrs L70B50 lifetime, 314 x 240 x 63mm (LxWxD) dimensions, 2.5kg weight.

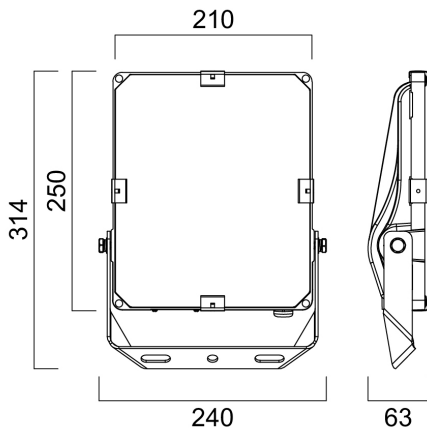
### Product Overview

Product name	Kalani IP66 6KLM 840 ASYM
Technology	LED
General application	Logistics & Industry
Fixture luminous flux (lm)	6450
Luminaire efficacy (lm/W)	129
Colour temperature (K)	4000
Light colour	Neutral White
CRI (Ra)	70
Colour Variation Initial (SDCM)	3
Beam Angle (°)	65*120
Photobiological Risk Group	RG1
Total power consumption (W)	50
Electrical protection	Class I
IP rating	IP66
IK rating	IK08

## Photometry



## Technical drawings



## Data table

### GENERAL DATA

Product name

Kalani IP66 6KLM 840 ASYM

## Kalani IP66 6KLM 840 ASYM 0048535

Technology	LED
General application	Logistics & Industry
Operating temperature range (°C)	-30°C - 50°C
Performance ambient temperature Tq (°C)	25

### OPTICAL DATA

Fixture luminous flux (lm)	6450
Luminaire efficacy (lm/W)	129
Colour temperature (K)	4000
Light colour	Neutral White
CRI (Ra)	70
Colour Variation Initial (SDCM)	3
Beam Angle (°)	65*120
Photobiological Risk Group	RG1

### ELECTRICAL DATA

Total power consumption (W)	50
Mains voltage (V)	220-240V~
Lamp power factor	0.95
Electrical protection	Class I
Control gear required	No
Drive current (mA)	950
Inrush Current (A)	40
Inrush Duration (µs)	450
Nominal Frequency (Hz)	50/60Hz
Max. Luminaires per 10A C Breaker	6
Max. Luminaires per 13A C Breaker	9
Max. Luminaires per 16A C Breaker	11
Max. Luminaires per 20A B Breaker	8
Mains surge immunity (differential mode -> L-N) (kV)	6
Mains surge immunity (common mode -> L/N - GND) (kV)	10

## LIFETIME DATA

Lumen maintenance - L70 B50	60000
Lumen maintenance - L80 B50	60000

## PHYSICAL DATA

IP rating	IP66
IK rating	IK08
Nominal Product Length (mm)	314
Nominal Product Width (mm)	240
Weight (kg)	2.5

## PACKAGING


Single packaging type	Carton
Packaging single width (cm)	11.0
Packaging single depth (cm)	28.0
DUN14 (outer)	05410288485355
Packaging outer length / height (cm)	37.0

## SAFETY DATA

Optimal operating condition (°C)	-30-50
Special purpose lamp	No
Dry applications use only	No
Suitable for household illumination	No

## Energy label

**SYLVANIA** 0048535

 This luminaire contains built-in LED lamps

**A<sup>++</sup>**  
**A<sup>+</sup>**  
**A**  
**B**  
**C**  
**D**  
**E**

} LED

The lamps cannot be changed in the luminaire.

874/2012 