

BUSTER + PUNCH

LONDON

CAGED WALL / LARGE

TECH SPEC



CAGED WALL / LARGE

CAGED Wall / Large perfectly frames the LED BUSTER BULB / TUBE. The wall light is made from a matt black metal cage. Caged Wall / Large can be displayed on its own, in linear procession or staggered heights for maximum impact.

busterandpunch.com
info@busterandpunch.com

BUSTER + PUNCH

LONDON


CAGED WALL / LARGE

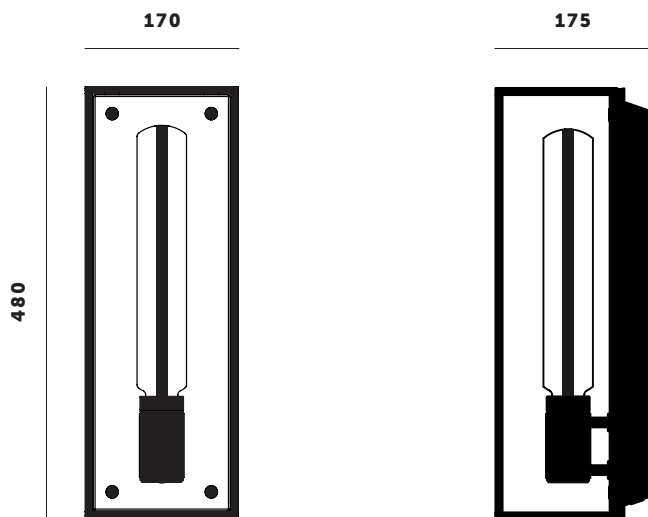
TECH SPEC


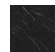
SPECIFICATIONS:

Wall light
 Matt black metal cage
 Matt black knurled details
 E27 / 200-240V / IP20
 5W Buster Bulb / Tube (included)

MOUNTING OPTIONS:

 Wall surface mounted



BACKPLATE FINISH	SKU	LIGHT SOURCE:
 White marble  Black marble	<p>RCA-14374</p> <p>RCA-02375</p>	<p>1 x BUSTER BULB / TUBE included 5W dimmable warm white LED E27 screw</p>

CARE INSTRUCTIONS

Wipe with damp cloth with no loose hairs, avoid using any chemicals. Please note all finishes are prone to aging.