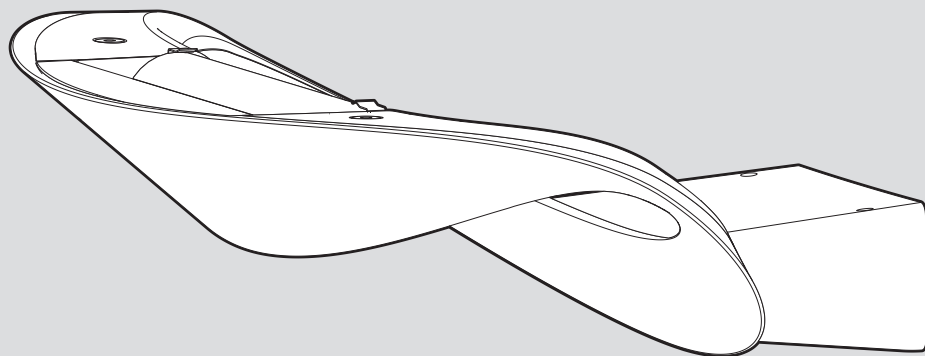


Artemide®

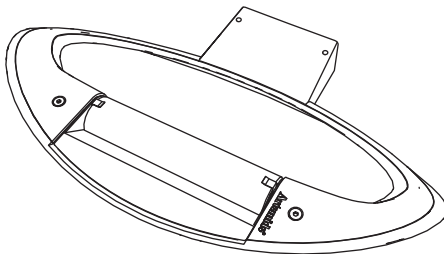
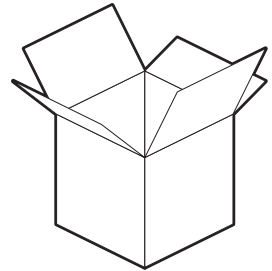
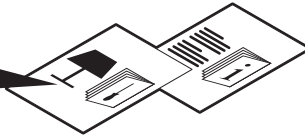
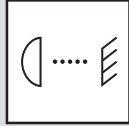
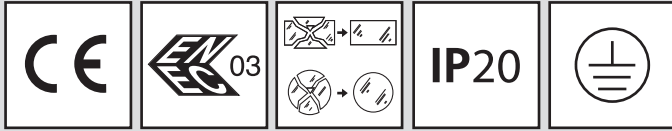
Mesmeri

design
E. Solé

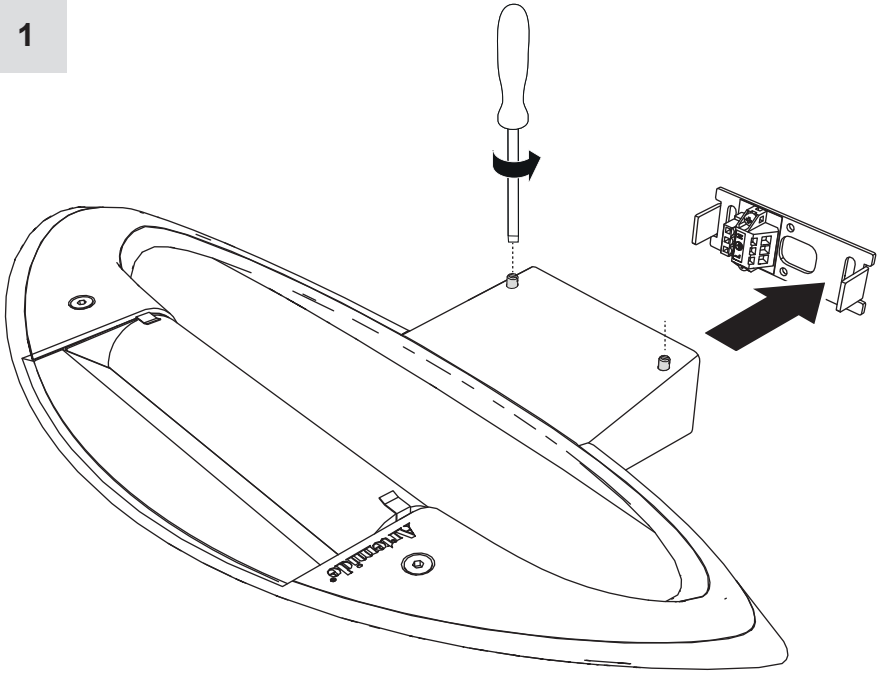




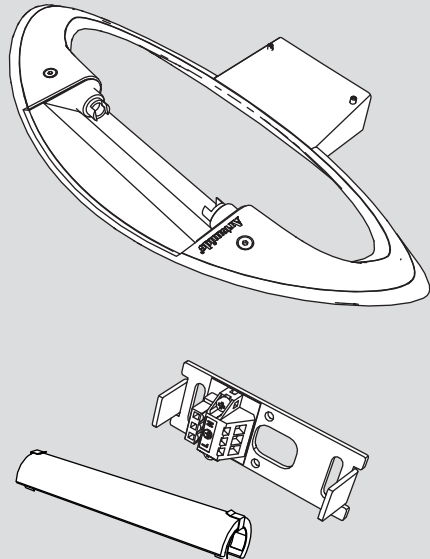
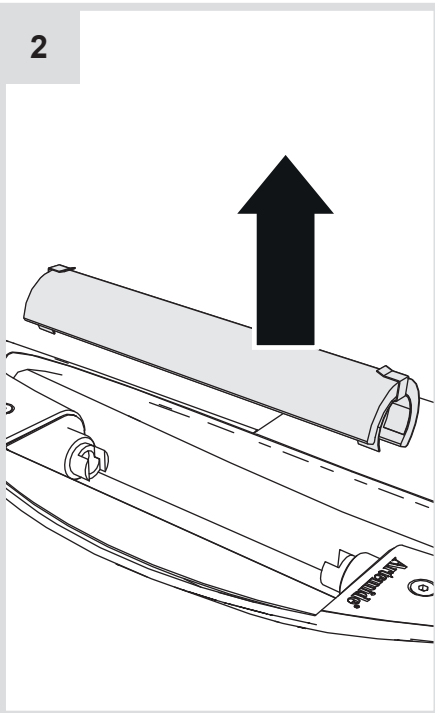
i

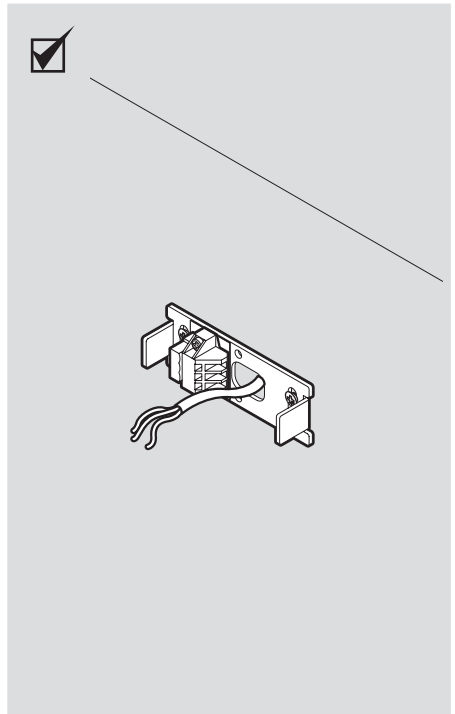
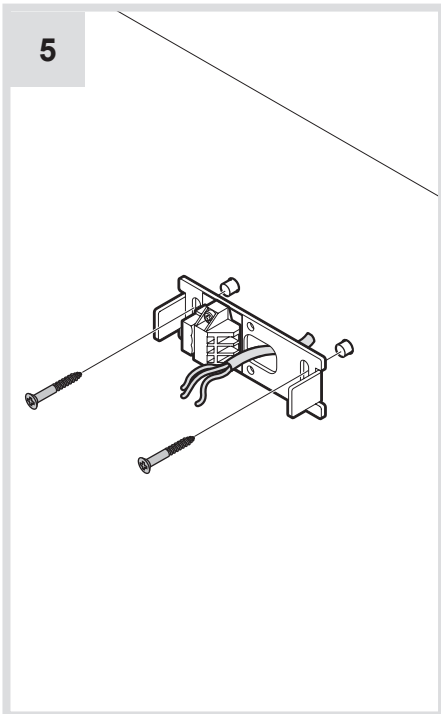
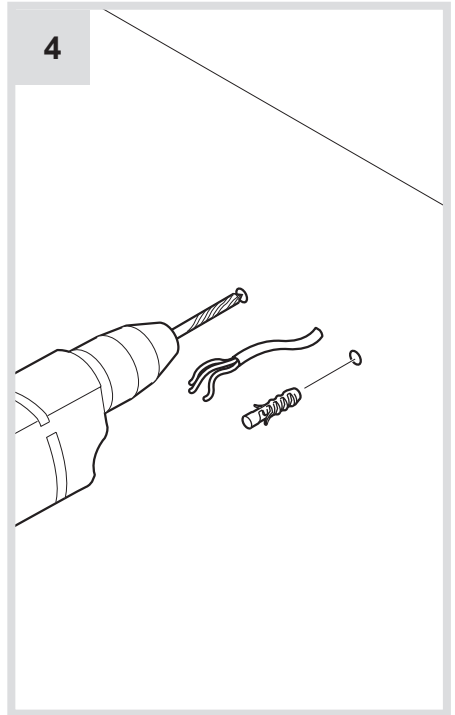
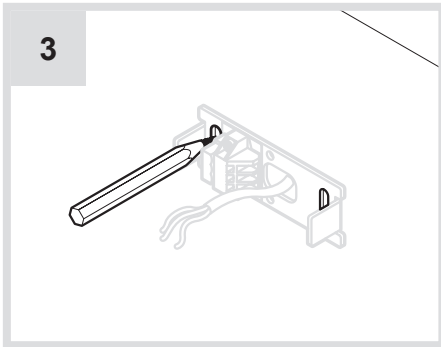
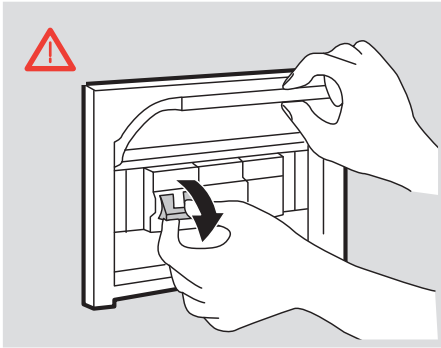


1

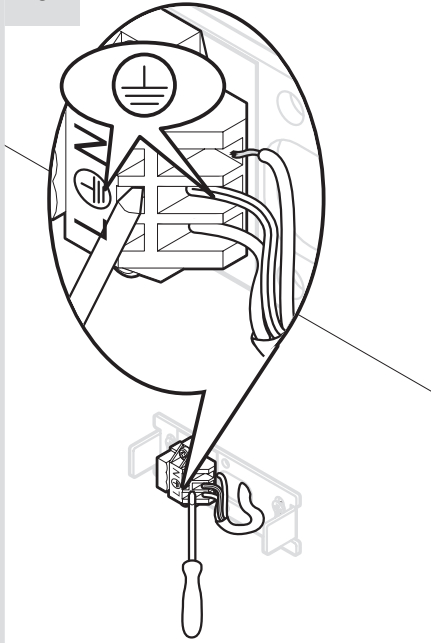


2

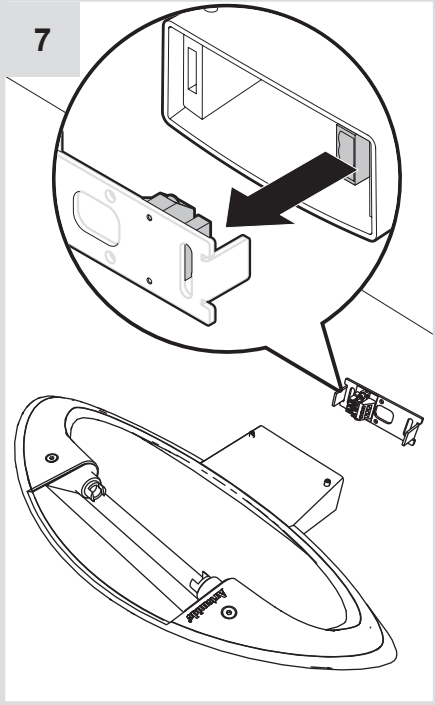




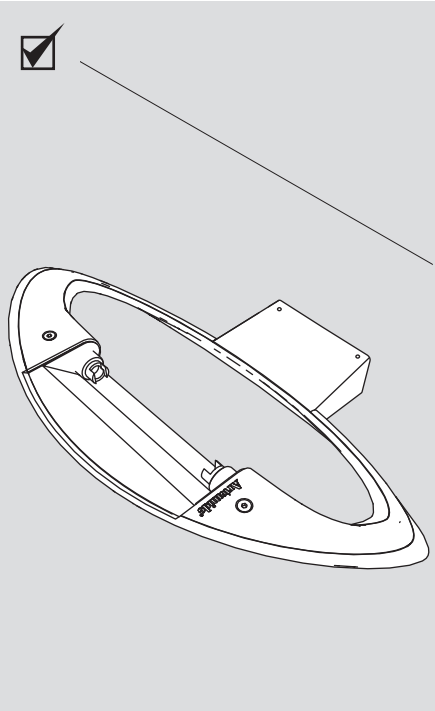
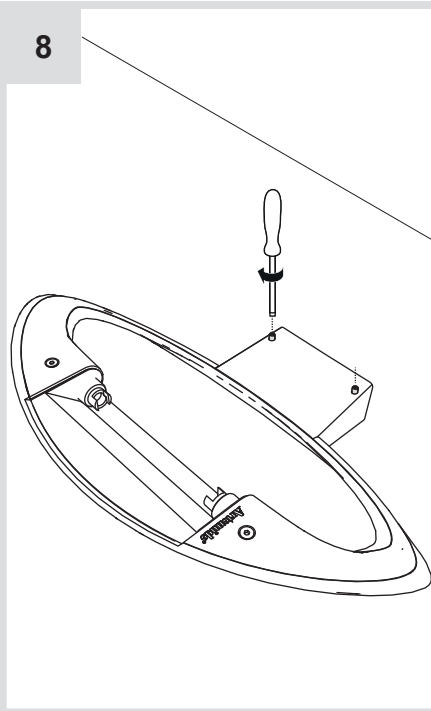
6



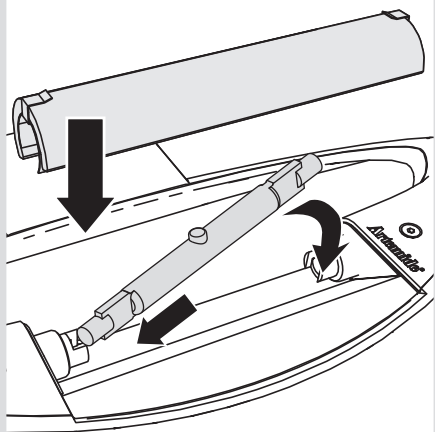
7



8



9a

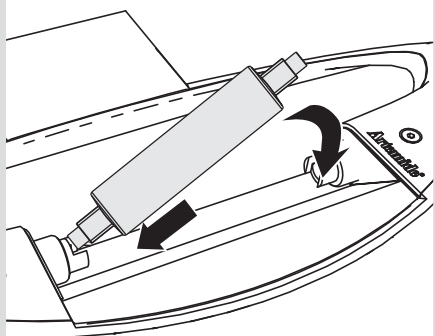


Halo

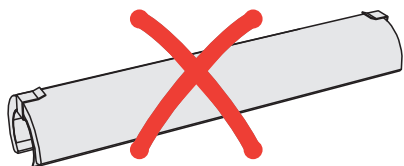


Halo

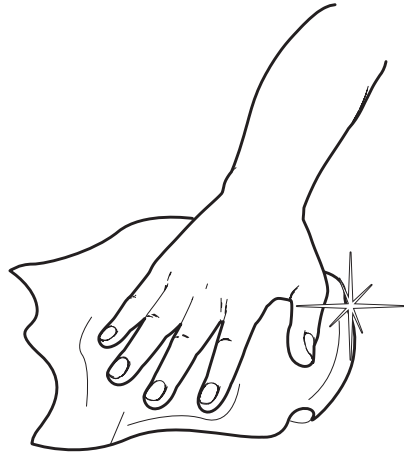
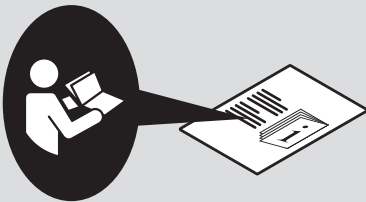
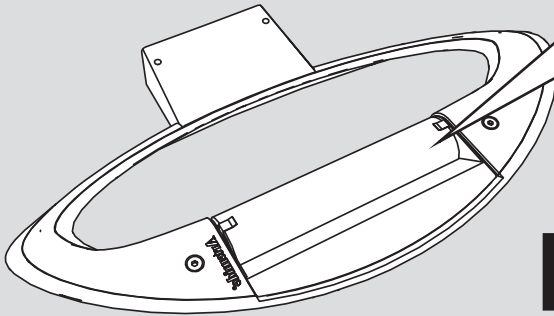
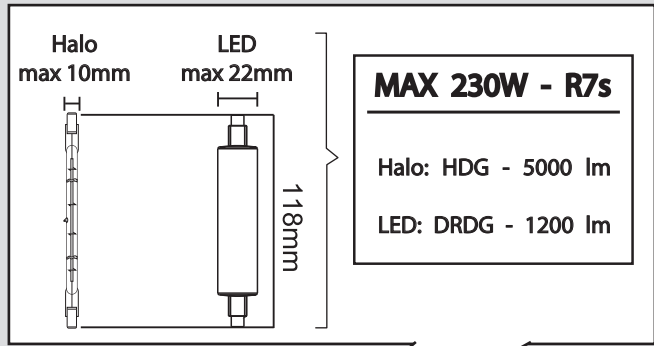
9b



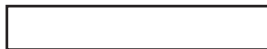
LED



i



Artemide®



Artemide

via Bergamo, 18
20010 Pregnana M.se (MI)
ITALIA

tel. +39 02 935 181
fax +39 02 935 90 254
fax +39 02 935 90 496

www.artemide.com

VAT IT00846890150

cod. Y513000554