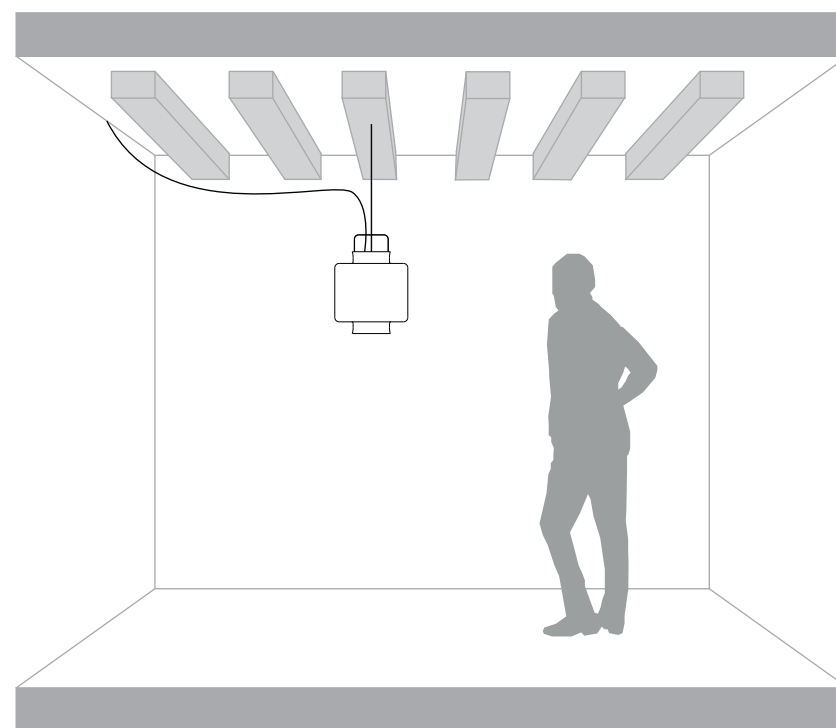


KIMONO

SE635V-EXT
SE636V-EXT

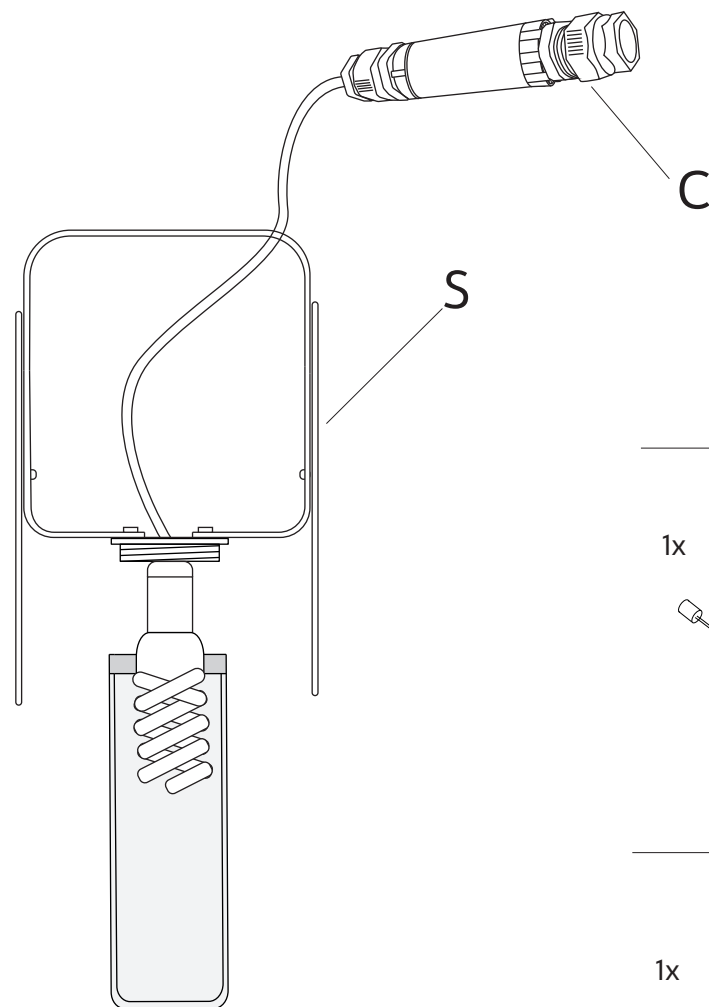
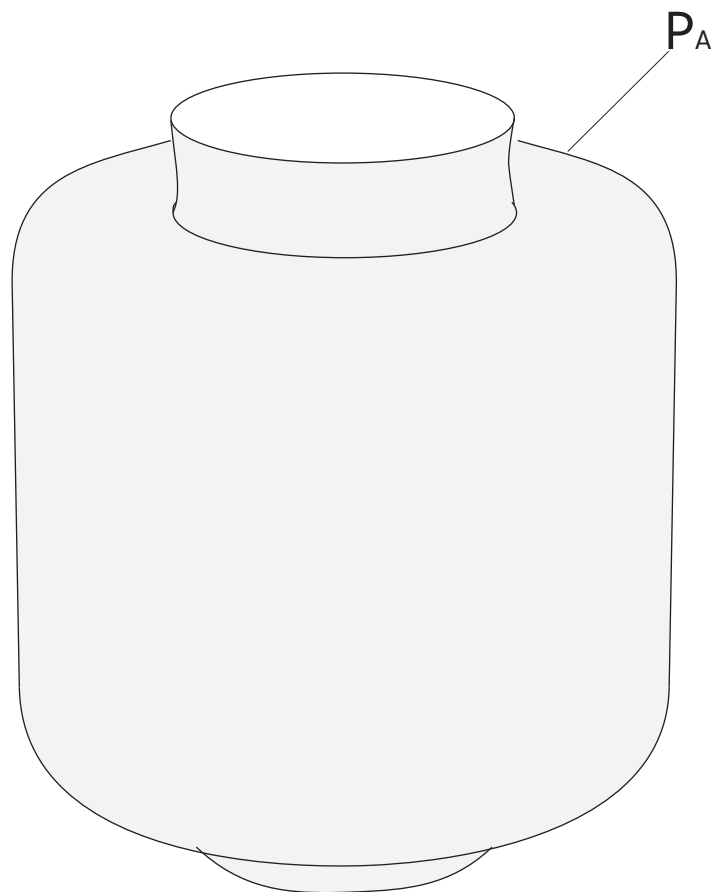
220-240 V.
max 1x23W - E27



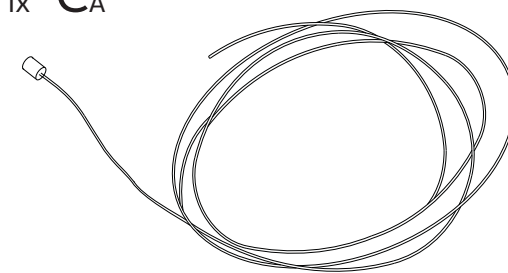
IP65     CE

Karman srl

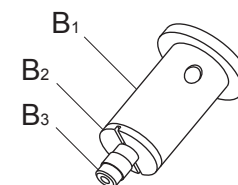
Via A. Grandi, San Martino del piano, 61034 Fossombrone (PU), Italy - p.iva 02175640412 tel +39 0721 71 5042 r.a fax +39 0721 716640 - www.karmanitalia.it



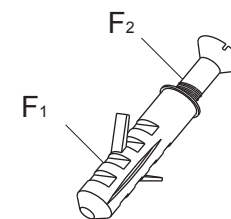
1x **C_A**

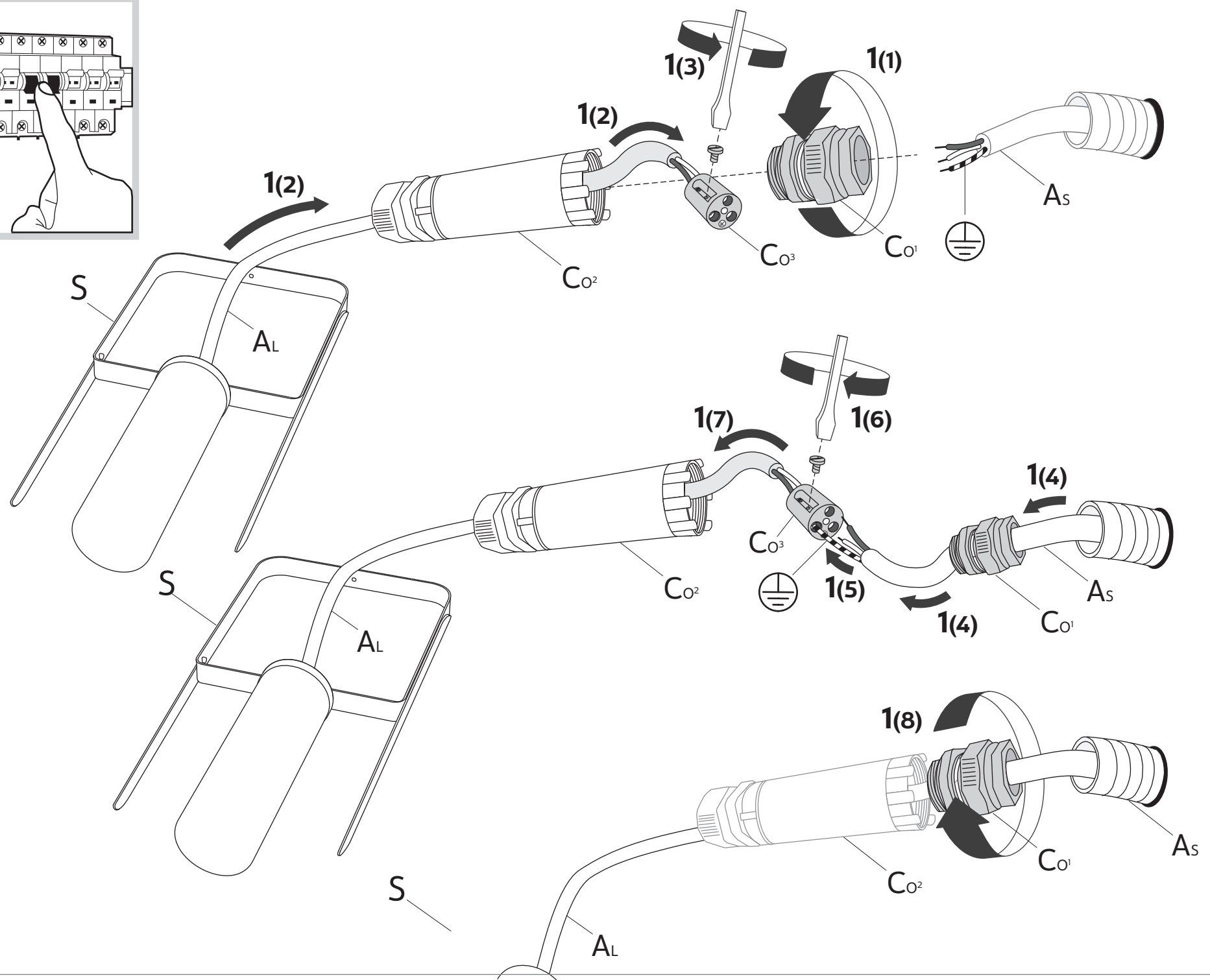
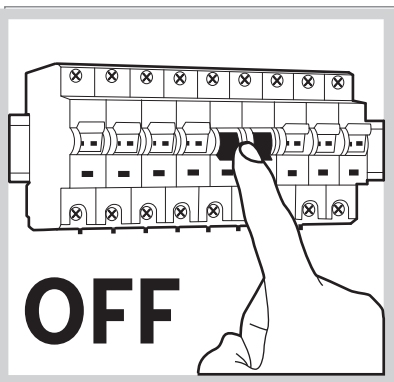


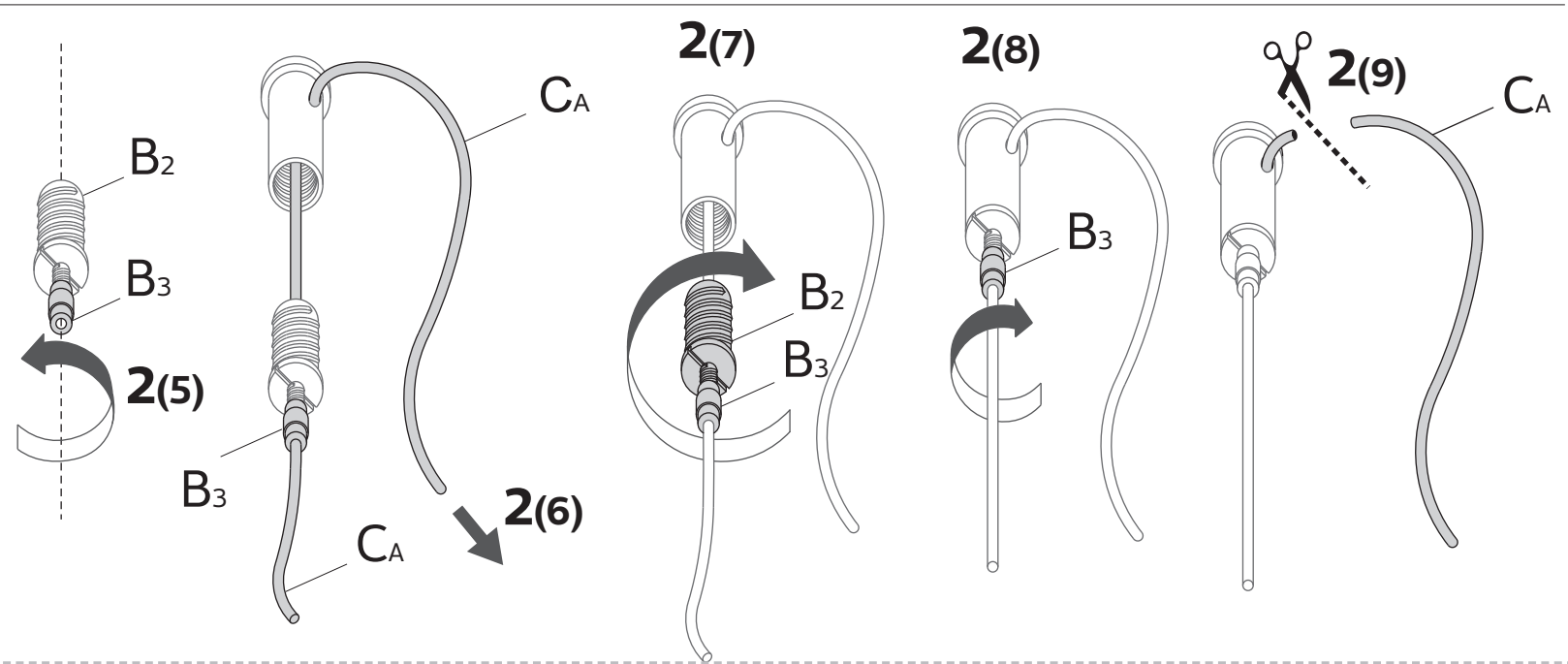
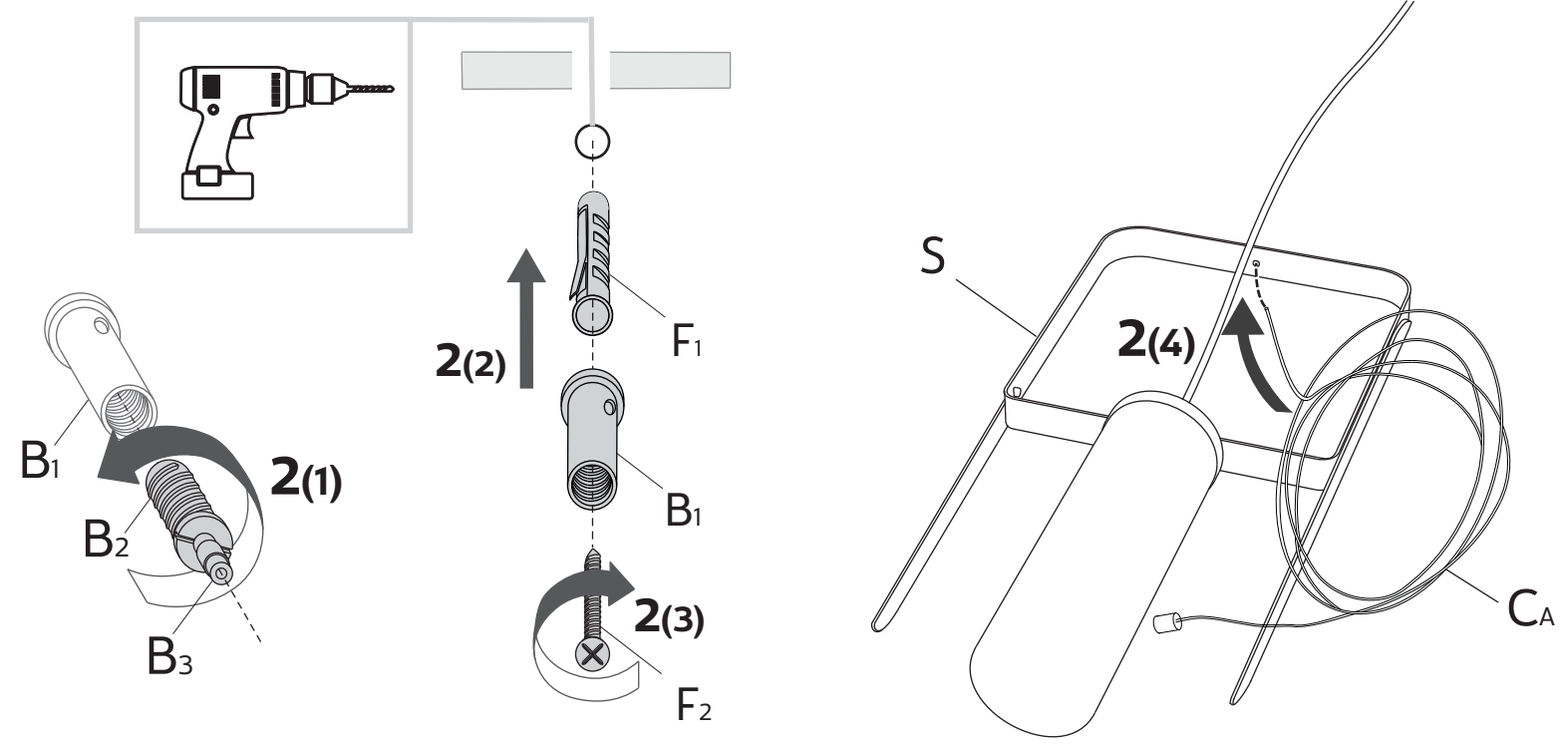
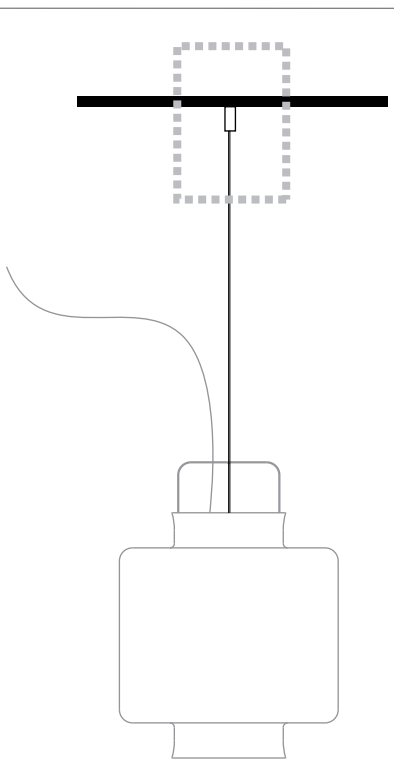
1x **B**

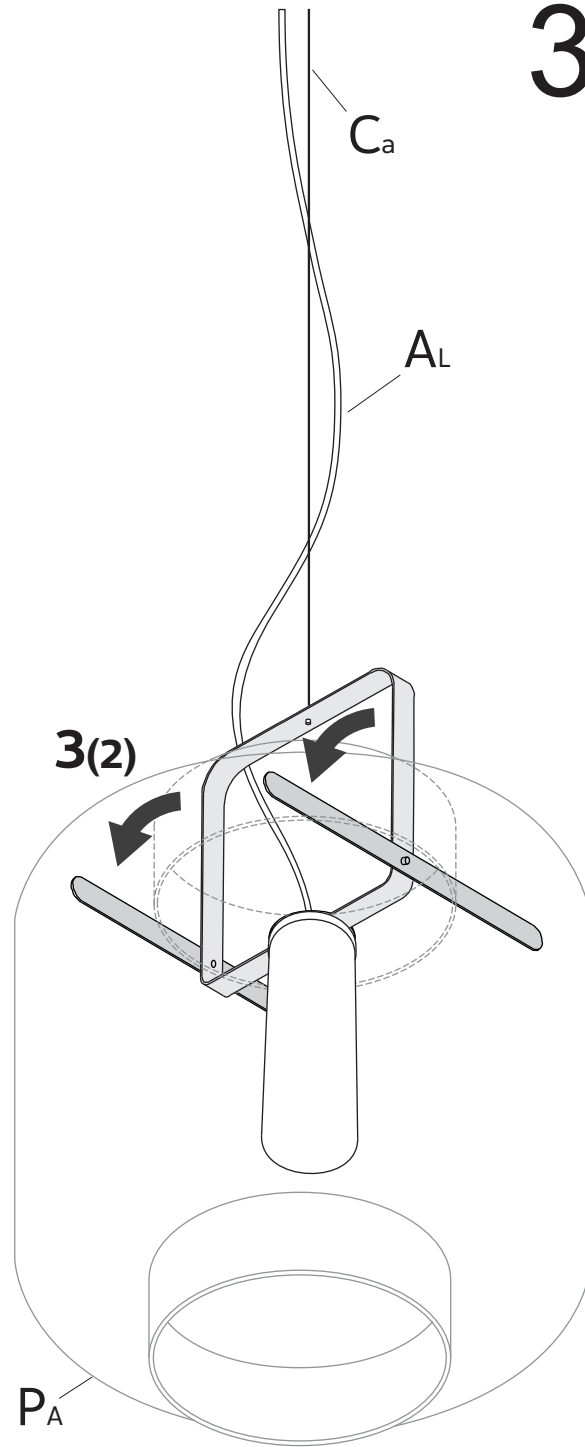
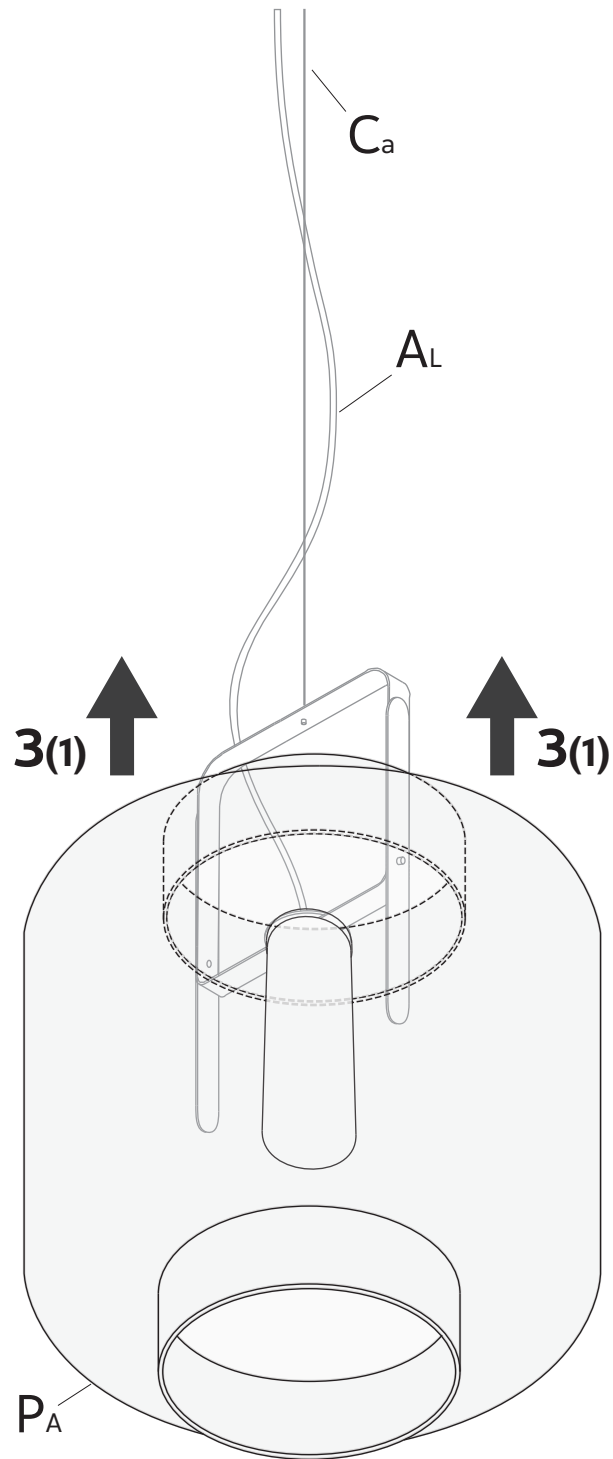


1x **F**









3

