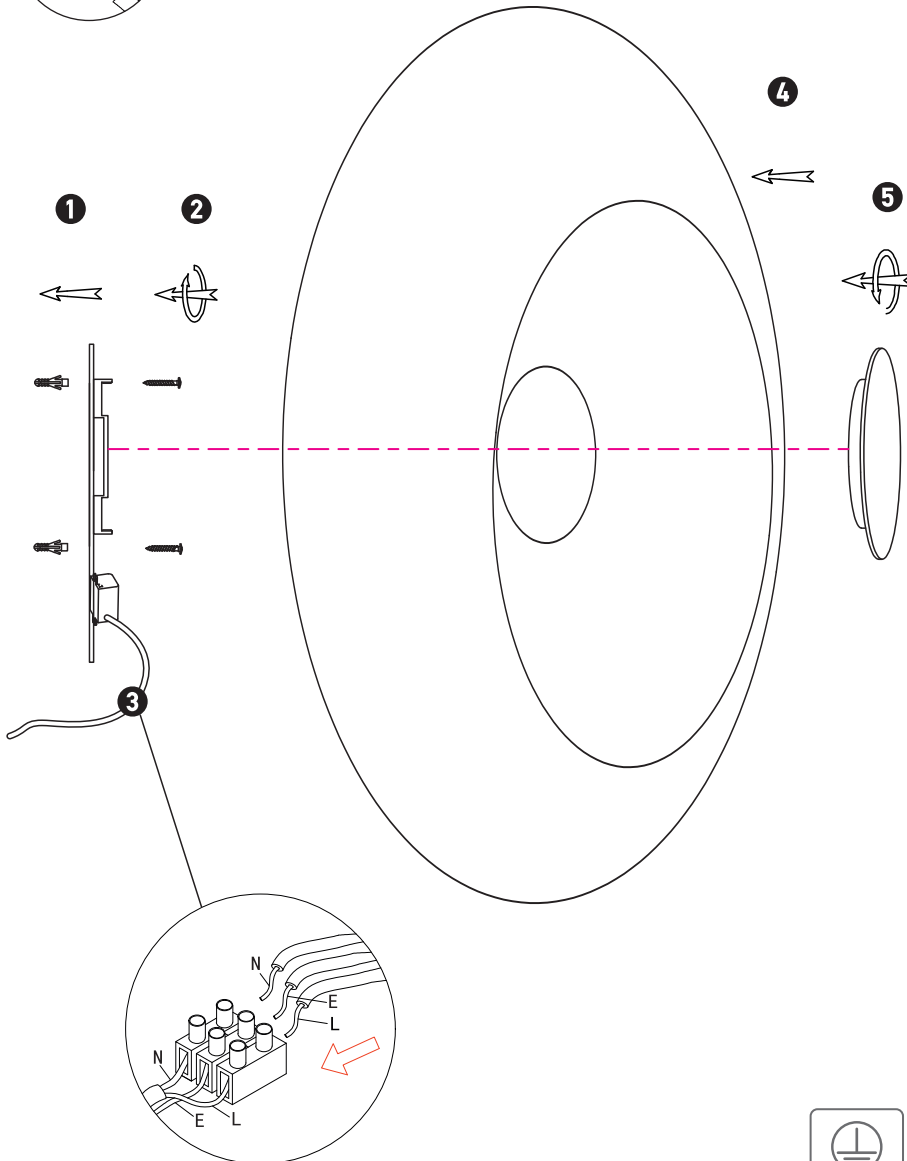
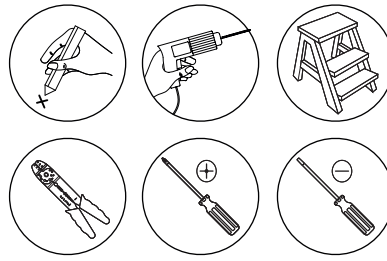


### Connecting the Terminal Block

Connect main supply (**brown - Live, blue - Neutral**) into terminal block making sure all connections are tight.



Please read instructions before commencing installation and retain for future reference.

### SPECIFICATIONS

- **Lamp Type:** LED | 6W | 3000K | CRI 90 | Non Dimmable
- **Material:** Metal | Acrylic | Acoustic Panel
- **Ingress Protection:** IP20 Protection against entry of solid objects greater than 12mm in diameter.

### INSTALLATION INSTRUCTIONS



Electrical products can cause death, injury, or property damage. Maintenance and installation should only be carried out by a professional electrician.

- Ensure the main supply is switched off.
- Install the mounting anchors on the wall (1).
- Fix the wall base using M4 self-tapping screws. (2).
- Connect the positive and negative ground wires, and connect the power cord.(3) Making sure all connections are tight.
- Add the acoustic panel on the wall base (4)
- Fix the cover by screwing it onto the base to stabilize both with the acoustic panel onto the wall base (5)
- Reconnect power.

### WARNING



Make sure that the products are installed properly before connecting to electricity. Do not cover the luminaire. Do not exceed the maximum wattage rating of the lamp. If the light source is contained in this luminaire (integrated LED), it shall only be replaced by the manufacturer, his service agent, or a similarly qualified person.

