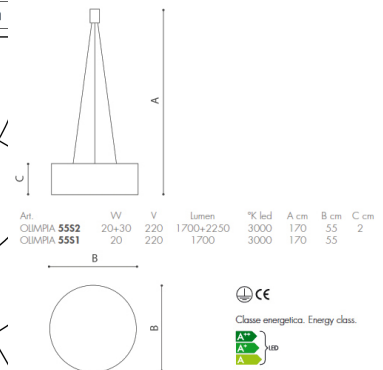
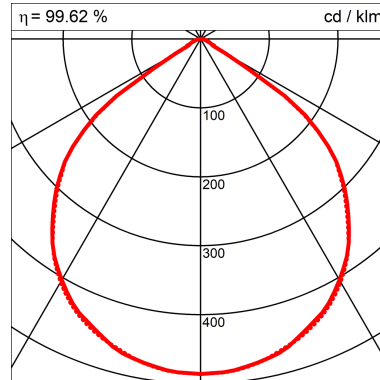


OLIMPIA
OLIMPIA 55S1



Luminaires

| | |
|----------------|-------------------|
| Hersteller | ICONE |
| Article number | OLIMPIA 55S1 |
| Product name | OLIMPIA |
| Product group | pendant luminaire |
| Mounting type | Pendant |
| Mounting place | Ceiling |
| Designer | Marco Pagnoncelli |
| Test mark | CE |

Model / Variant / Configuration

| | |
|---------------|-------|
| Number / Name | NE-FR |
|---------------|-------|

Description

black + copper leaf

Luminaires

| | |
|-------------------|--------------------|
| Efficiency | 99.62% |
| System Light flux | 1693.54 Lm |
| Luminaire output | 84.70 Lm/W |
| LiTG class | A50 |
| CIE flux codes | 64 96 99 100 100 |
| System power | 20.0W |
| Protection class | Protection class I |
| Protection degree | IP 20 |

Dimensions

| | |
|-----------------|-------------|
| Diameter/Height | 550mm/200mm |
|-----------------|-------------|

Light Source

| | |
|--------------------|-----------|
| Lamp type | 1 x LED |
| ZVEI / ILCOS | LED / LED |
| Lamp power | 20 W |
| System power | 20 W |
| Light flux | 1700 lm |
| Colour temperature | 2700K |
| Colour rendering | 1B |
| Lifetime | 50000 h |

Description

Turned aluminium suspension lamp available with direct/indirect or only direct light beam, LED 220V with no need of driver.

Color finishing white (BI), white+gold leaf (BI+FO), black+white (NE+BI), black+copper leaf (NE+FR). Available with 3000°K and 2700°K LED color temperature.

Energy class A++, A+, A