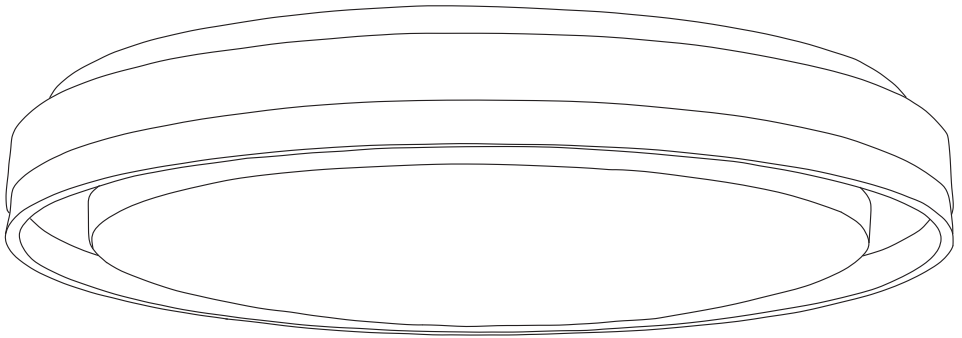
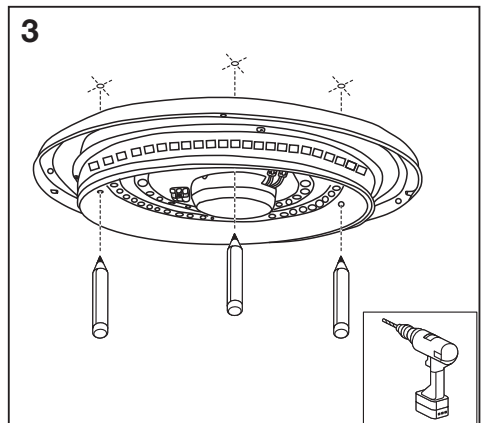
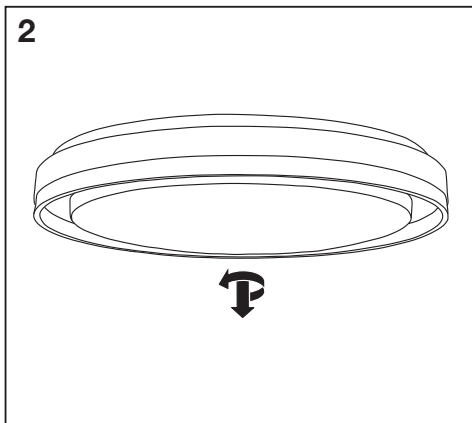
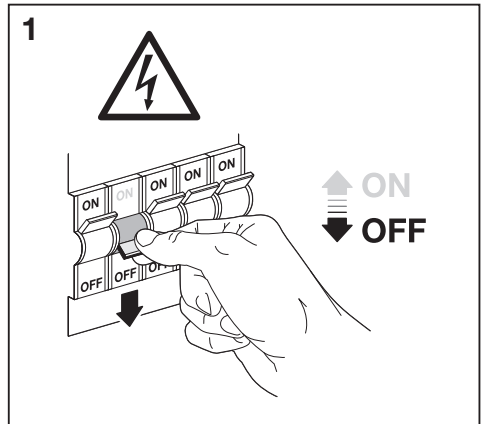
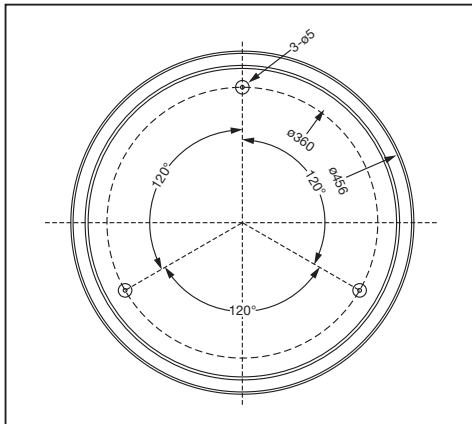
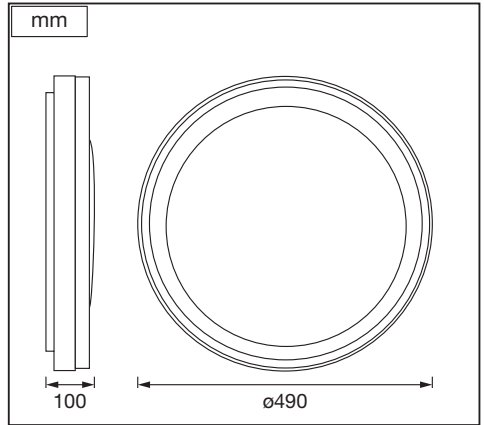
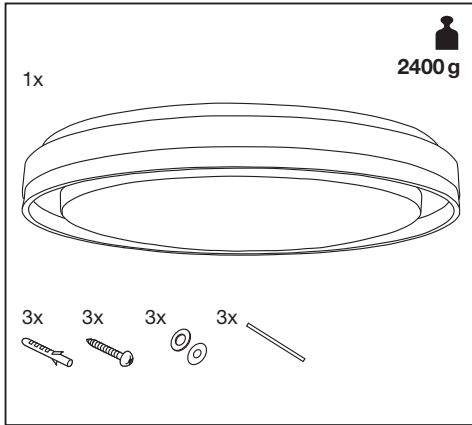


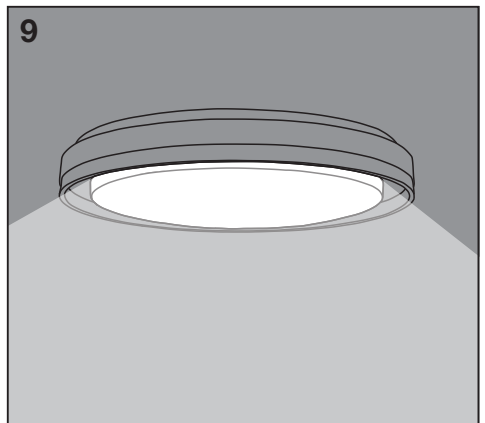
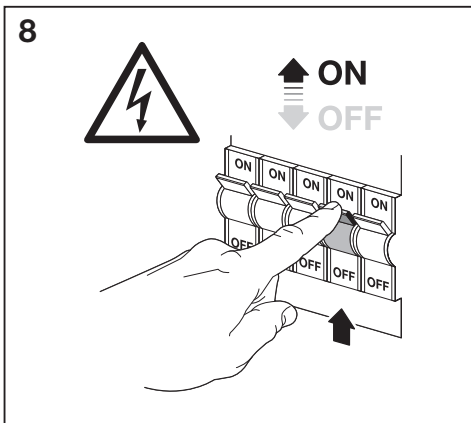
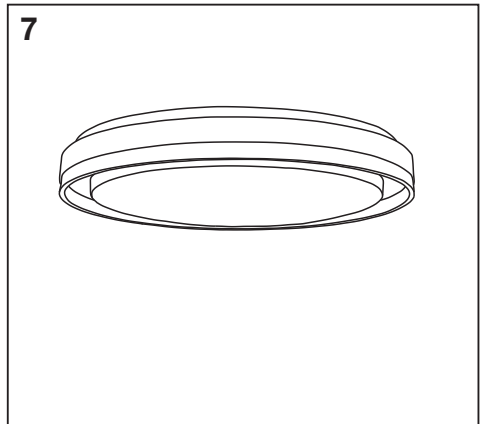
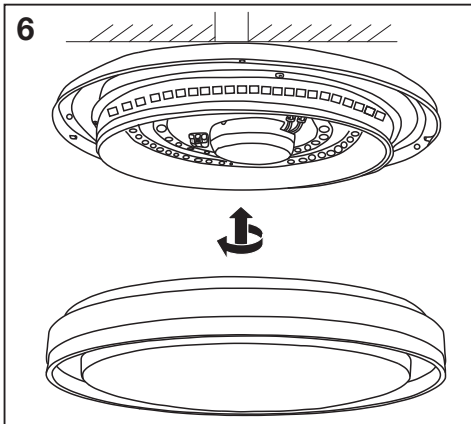
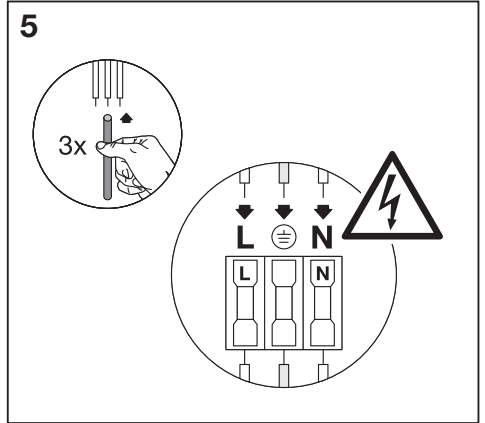
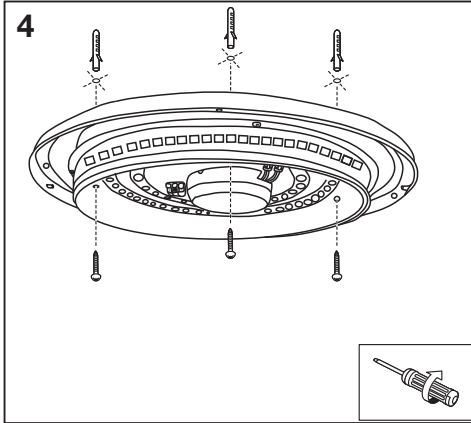




## SMART<sup>+</sup> ORBIS<sup>®</sup> ZEST

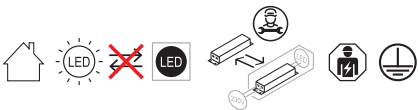


	EAN	W	lm Light Source	lm Output	K	°C	IP	V~	mA	Hz	DF	▽ (°)	
<b>SMARTWIFI ORBISZEST500 MGCRCBTW BWT</b>	4099854090288	38	3800	1050	2700-6500	-20... +40	20	220- 240	220	50/60	>0.9	120	25000
<b>SMARTWIFI ORBISZEST500 MGCRCBTW WT</b>	4099854090301	38	3800	1050	2700-6500	-20... +40	20	220- 240	220	50/60	>0.9	120	25000





	EAN	This product contains a light source of energy efficiency class	Contained Light Source
SMARTWIFI ORBISZEST500 MGCRGBTW BWT	4099854090288	E	
SMARTWIFI ORBISZEST500 MGCRGBTW WT	4099854090301	E	



Points de collecte sur [www.quefairedemesdechets.fr](http://www.quefairedemesdechets.fr)

C10449057  
G11159863  
28.02.2023



LEDVANCE GmbH  
Steinerne Furt 62  
86167 Augsburg, Germany  
[www.ledvance.com](http://www.ledvance.com)