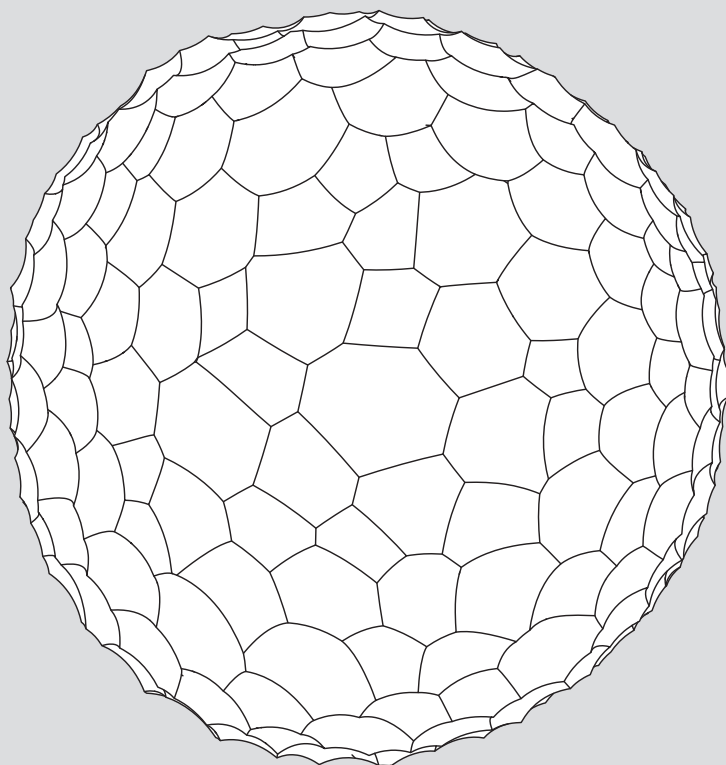


Artemide®

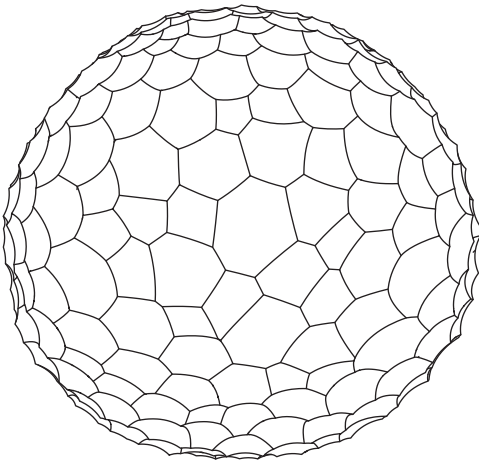
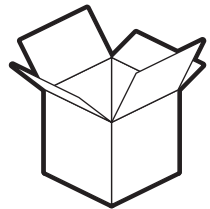
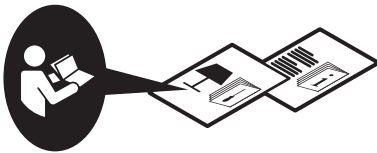
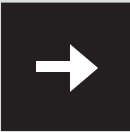
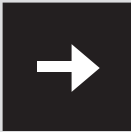
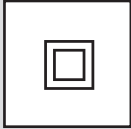
Meteorite

design
Pio & Tito Toso

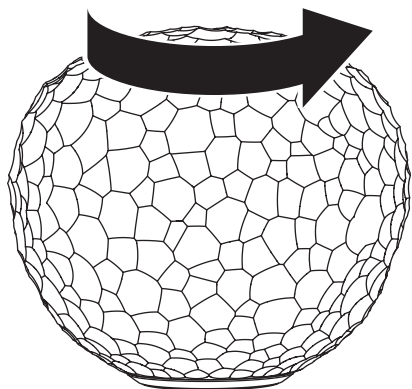




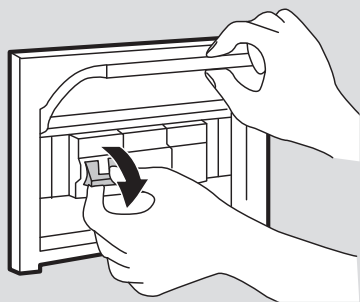
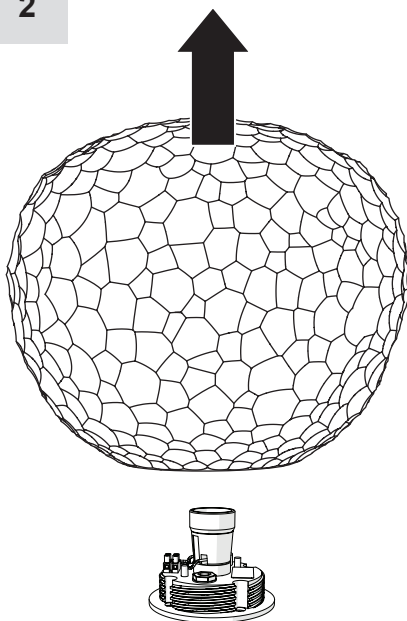
i



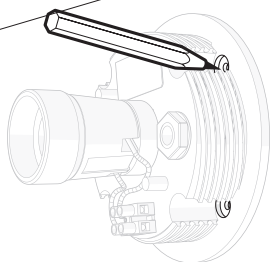
1



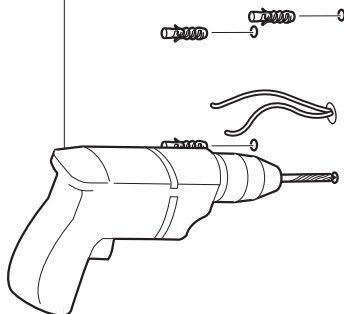
2

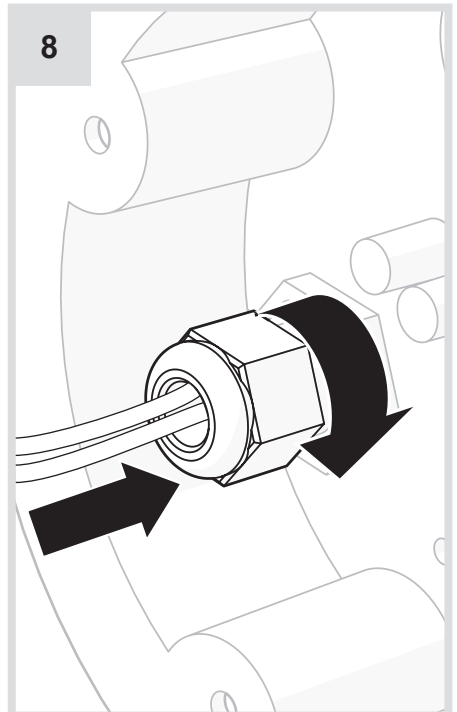
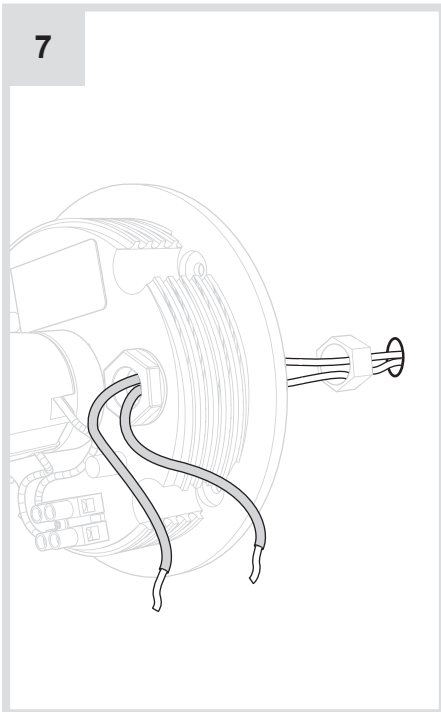
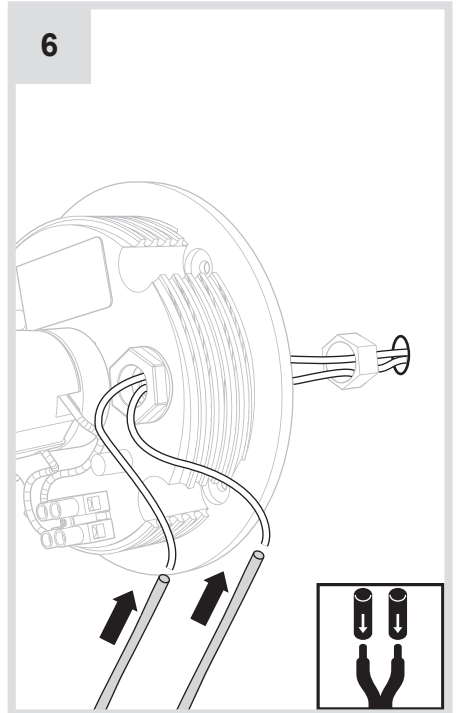
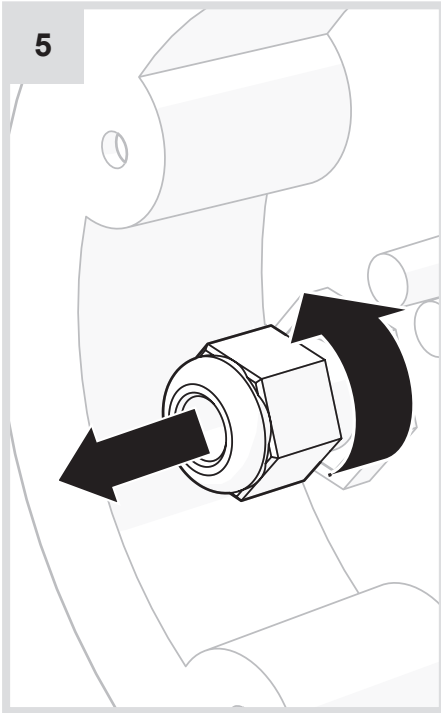


3

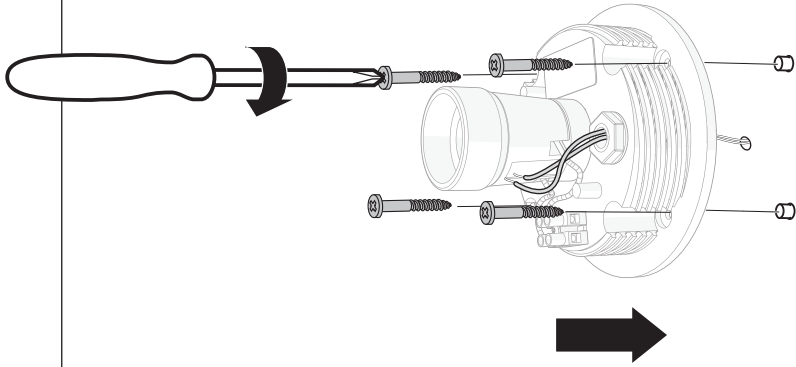


4

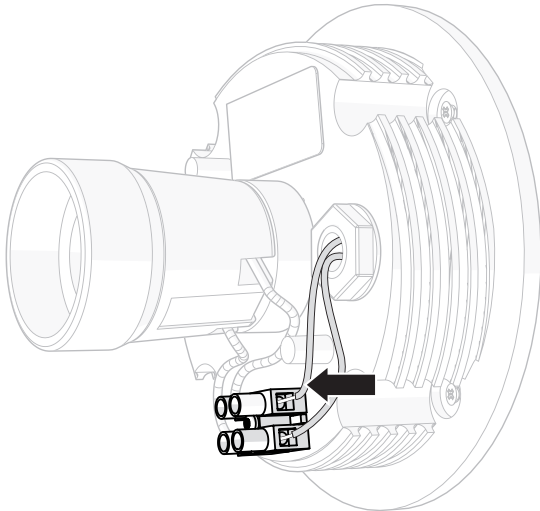




9

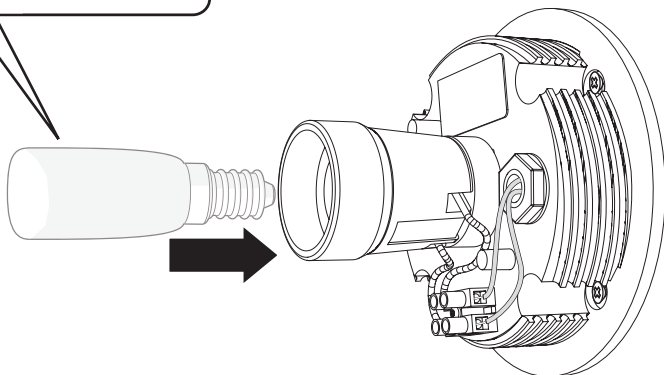


10

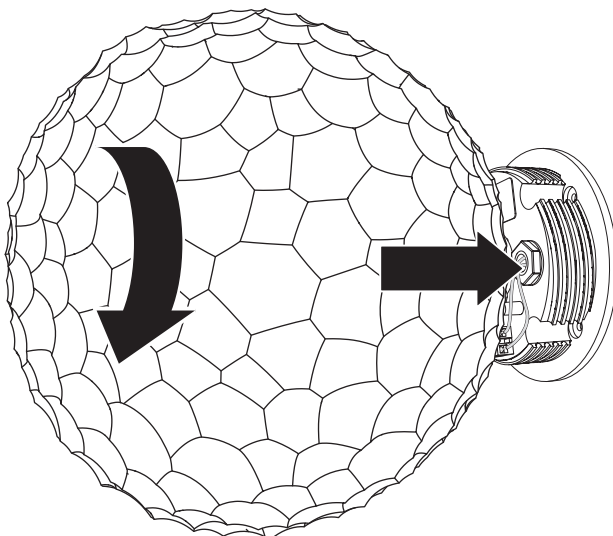


11

E27 - MAX 150W



12



i

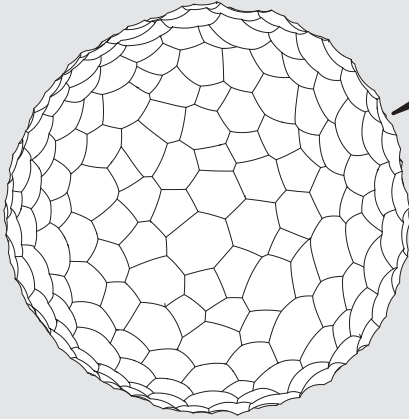


1 →

2 →

11 →

12



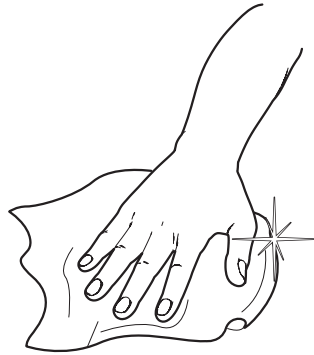
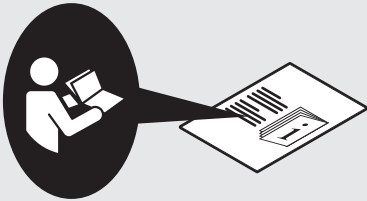
MAX 150W - E27

Halo: HSGST - 2900 lm

LED: DRAA - 2500 lm

i

1



Artemide®



Artemide

via Bergamo, 18
20010 Pregnana M.se (MI)
ITALIA

tel. +39 02 935 181
fax +39 02 935 90 254
fax +39 02 935 90 496

www.artemide.com

VAT IT00846890150

cod. Y513000575