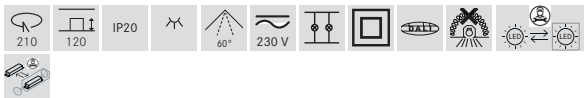
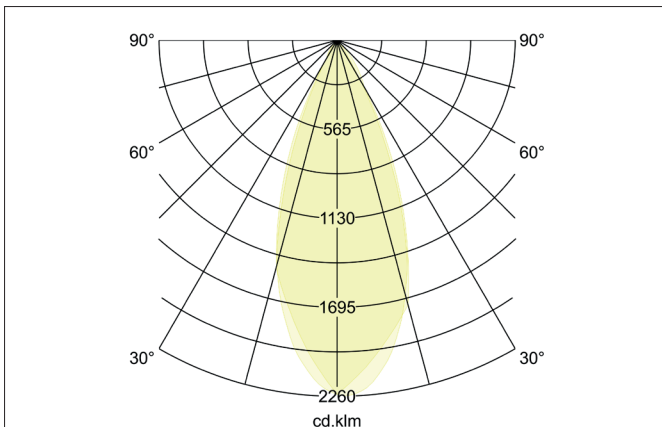
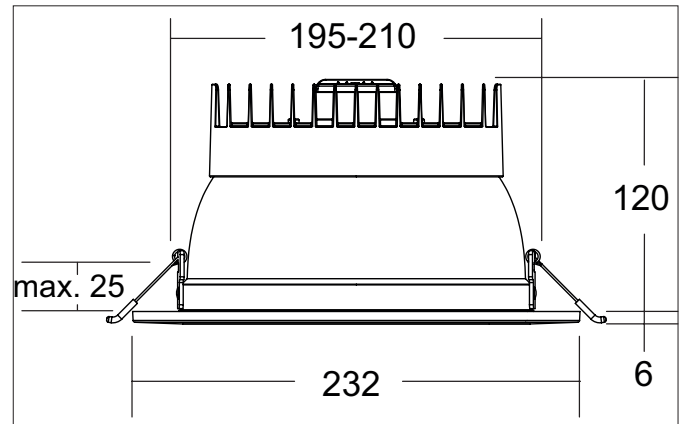




MUNA PRO MAXI LED recessed downlight, 5CCT, UGR<19, DALI dimmable, reflector silver, faceted
Article no. 12767073



Tender
LED recessed downlight, 5CCT, UGR<19, DALI dimmable, reflector silver, faceted, Round. Toolless ceiling installation by installation springs. Ceiling cut-out Ø 210 mm, Installation depth 120 mm, Outer diameter 232 mm, Weight 1,009 kg, Reflector silver with rotationssymmetrical, deep, wide distributed light intensity. Cover plastic, structured Luminous flux 2.700 - 3.340 lm, UGR < 19, Power 1 x 35 W, Light colour warm white to daylight white, Correlated color temprature (CCT) 2.700 - 5.700 K, Colour rendering index CRI > 90, Rated life time L70/B10 at 25 °C: 80.000 h, Rated life time L80/B50 at 25 °C: 50.000 h, Housing material: Aluminium / Polycarbonate / Steel, Colour: white matt, Permissible ambient temperature (ta): -20 °C up to +25 °C, Protection class (EN 61140): II, Degree of protection (DIN EN 60529): IP20. With electronic driver, DALI-2 dimmable.



MUNA PRO MAXI LED recessed downlight, 5CCT, UGR<19, DALI dimmable, reflector silver, faceted
 Article no. 12767073

Product Benefits

- Round recessed downlight made of aluminum with generously dimensioned thermal management.
- 3CCT: 3,000 K, 4,000 K or 5,700 K adjustable.
- High-quality aluminum reflector with lens.
- Simple and tool-free installation.
- UGR < 19.
- Low installation depth of 130 mm, diameter of 280 mm, Ceiling cut-out 240-255 mm.
- Phase section dimmable.
- Cover ring removable and replaceable with black ring (separate accessory).
- Ring in round black or round white also with additional, suspended float glass (partially frosted) (separate accessory).
- Cover frame also available in square in black or white instead of round instead of round (separate accessories).

Article data	
Article no.	12767073
GTIN	4255752524786
Series name	MUNA PRO MAXI
Short description	LED recessed downlight, 5CCT, UGR<19, DALI dimmable, reflector silver, faceted
Material	Aluminium / Polycarbonate / Steel
Colour	white matt
Type of surface	Matt
Shape	Round
Outer diameter	232 mm
Built-in diameter min.	195 mm
Built-in diameter max.	210 mm
Installation depth	120 mm
Hight	6.5 mm
Scope of delivery	inkl. Konverter mit vergrößertem Anschlussraum zur Durchgangsverdrahtung an 230 V-Netzspannung, DALI dimmbar mit Schalter zur Farbtemperatúrauswahl: 2.700 K / 3.000 K / 3.500 K / 4.000 K / 5.700 K
Weight	1.009 kg
D licence plate	No
Conformance	CE, UKCA


MUNA PRO MAXI LED recessed downlight, 5CCT, UGR<19, DALI dimmable, reflector silver, faceted

Article no. 12767073

Lighting technology	
Colour temperature	2.700 K / 3.000 K / 3.500 K / 4.000 K / 5.700 K
Light colour	white
Color Temperature 1	2,700 K
Color Temperature 2	3,000 K
Color Temperature 3	3,500 K
Color Temperature 4	4,000 K
Farbtemperatur 5	5,700 K
Light output	Direct
Luminous flux	2,700 - 3,340 lm
Luminous flux 1	2,700 lm
Luminous flux 2	2,750 lm
Luminous flux 3	2,900 lm
Luminous flux 4	3,020 lm
Lichtstrom 5	3,340 lm
System efficiency	95 lm/W
Colour rendering	CRI > 90
Reflector	Faceted
Reflector colour	silver
Beam angle	60°
Glare evaluation	UGR < 19
Light sharing	Symmetric
Adjustable color temperature	Stages

Operating technology of the luminaire	
System output	35 W
Voltage type	AC/DC
AC nominal voltage max	230 V
Frequency max	50 Hz
Lamp	LED
Lamp holder	Without fitting
Protection class	II
Degree of protection	IP20
Dimmable	Yes
Control	DALI-2
Bulb change possible	The light source of this luminaire may only be replaced by the manufacturer or a service technician commissioned by him or a similarly qualified person.
Rated life time L80/B50 at 25 °C	50.000 h
Energy efficiency class	not required

Operating technology of driver	
Article No. of used driver	04376700
Length	156 mm
Width	43 mm
Hight	21 mm
AC nominal voltage min	198 V
AC nominal voltage max	264 V
Frequency max	60 Hz
Dimmable	Yes
Control	DALI-2 PUSH-Dimm
Starting current	5,33 A, 40 µs
Power	40 W
Output current	700 mA - 1.050 mA
Degree of protection	IP20



MUNA PRO MAXI LED recessed downlight, 5CCT, UGR<19, DALI dimmable, reflector silver, faceted
Article no. 12767073

Mounting technology	
Mounting method	Recessed mounting
Place of installation	Ceiling-mounted
Adjustability	Not adjustable
Max. ceiling thickness	25 mm
Further references	No cover with thermal insulation material
Cover	Plastic, structured
Suitable for through-wiring	Yes

Packing data	
Gross weight	1.285 kg
Length of packaging	260 mm
Packaging width	255 mm
Packaging height	155 mm
Disposal at end of life	This product must not be disposed of with household waste. You are obliged, to dispose of such electrical waste separately. By disposing of electrical waste and other old or defective electronics separately, you support recycling or other forms of re-use. In that way you help to take care and to avoid that harmful substances get into the environment.

Optional accessories	
Article no.: 81218070 Cover frame, square, for 12567	Dimensions: 232 mm x 232 mm x 6.5 mm https://www.brumberg.com/fileadmin/products/Datenblatt_81218070_2021_DE.pdf
Article no.: 81218080 Cover frame, square, for 12567	Dimensions: 232 mm x 232 mm x 6.5 mm https://www.brumberg.com/fileadmin/products/Datenblatt_81218080_2021_DE.pdf
Article no.: 81213080 Cover ring, round, for 12567	Dimensions: 232 mm x 6.5 mm https://www.brumberg.com/fileadmin/products/Datenblatt_81213080_2021_DE.pdf
Article no.: 81223070 Cover ring, round, with suspended float glass, partially frosted, for 12567	Dimensions: 232 mm x 28 mm https://www.brumberg.com/fileadmin/products/Datenblatt_81223070_2021_DE.pdf
Article no.: 81223080 Cover ring, round, with suspended float glass, partially frosted, for 12567	Dimensions: 232 mm x 28 mm https://www.brumberg.com/fileadmin/products/Datenblatt_81223080_2021_DE.pdf
Article no.: 81231070 Surface-mounted housing, round, for 12567	Dimensions: 240 mm x 180 mm https://www.brumberg.com/fileadmin/products/Datenblatt_81231070_2021_DE.pdf
Article no.: 81231080 Surface-mounted housing, round, for 12567	Dimensions: 240 mm x 180 mm https://www.brumberg.com/fileadmin/products/Datenblatt_81231080_2021_DE.pdf