

Warning: Please cut off the electric before the installation.

PRODUCT FEATURES

1. The simple structure, small size, friendly installation.
2. No noise, No Glare, High CRI, High transmittance.
3. Energy saving, Eco-Friendly, 50000H Lifespan, Wide applicability.

CAUTIONS:

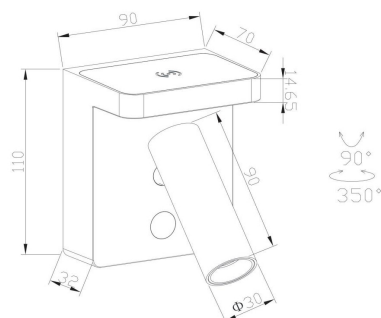
- The luminaires should be installed, connected and tested by a qualified electrician. Do not use in direct sunlight, moist, shock, rain or corrosive gas condition. Avoid covering the lamp shell and avoid damage to the lamp body. The electric wire must be cut off and work to be damaged before the luminaires installation or replacement.
- The light cannot be covered by insulating tape or other materials.
- Do not touch the lamp when the environment temperature too high or too low at all times that Maytoni.
- When cleaning the lamp, please use soft cloth and keep away from using and clean brush or not use with volatile materials such as thinner and gasoline, to prevent deterioration. The surface of the lamp should be maintained regularly.
- Do not use the lamp in the environment of acid, alkali, electric shock or fire. When the lamp is abnormal, please cut off the power quickly.
- Proper use of lamps or random replacement of non-original accessories will not guarantee the accuracy performance. Installation can refer to change drawings, specifications and assembly instructions.

WARNING:

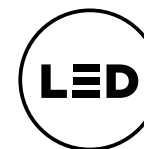
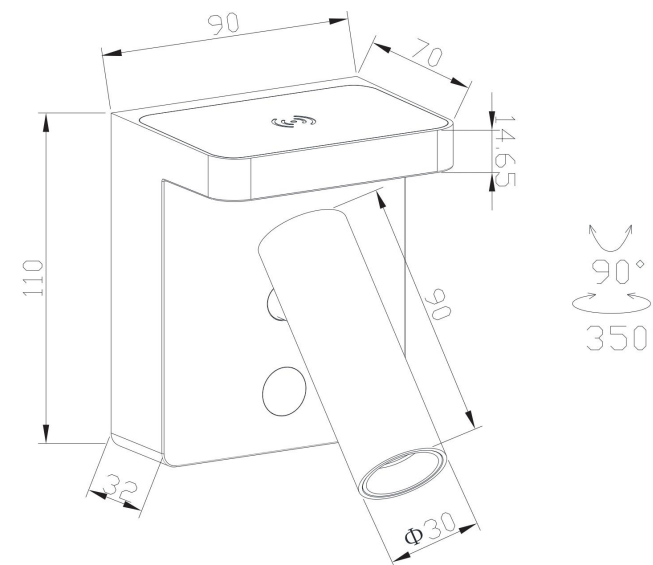
The light and Driver cannot install on the combustible surface, and the place where has explosive gas, liquid dust.

wireless charging

Short presson turns on/off.
Long presson dims the light.



Model: C179WL-L7B2.7K-DE
Collection: Wall
Series: Aron
Wall Lamps



MAX 7W
400 Lumen

Model: C179WL-L7B2.7K-DE
Collection: Wall
Series: Aron
Wall Lamps

This product contains a light source of the energy efficiency class G