

## Safety Instructions

1, 2, 3, 4, 5, 6, 7, 10, 12, 13, 14, 15, 16,  
17, 18, 19, 20, 21, 22, 24, 28, 33, 34



Info

[www.paulmann.com](http://www.paulmann.com)

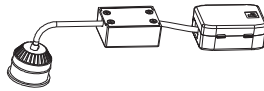
Paulmann Licht GmbH  
Quezinger Feld 2  
31832 Springe  
Germany

[www.paulmann.com](http://www.paulmann.com)

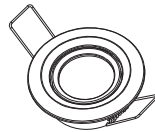
Art.-Nr.: 929.70  
929.71  
929.72  
929.73  
929.74  
929.75  
929.76



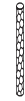
929.70\_929.72\_929.74



1x

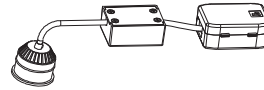


1x

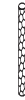


2x

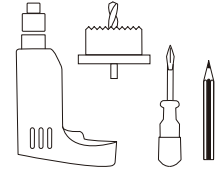
929.76



1x



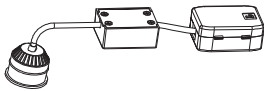
2x



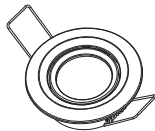
(+MA326) PSPU 01/20



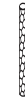
929.71\_929.73\_929.75



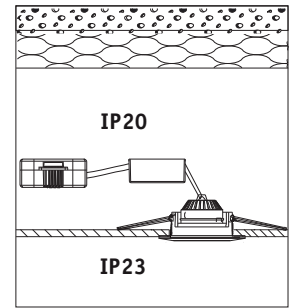
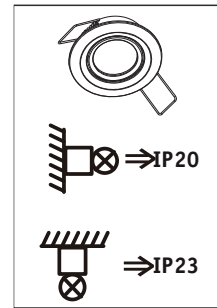
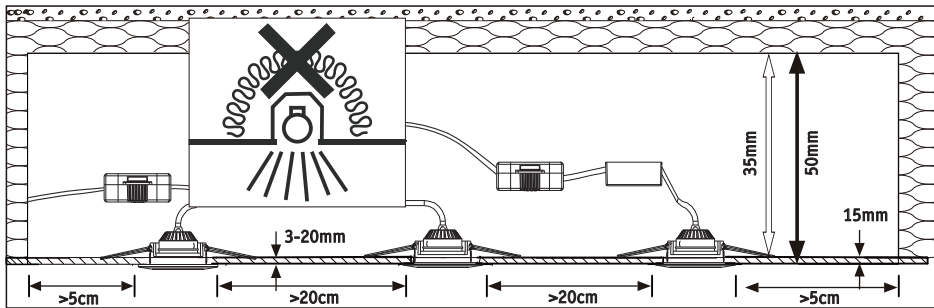
3x



3x



6x



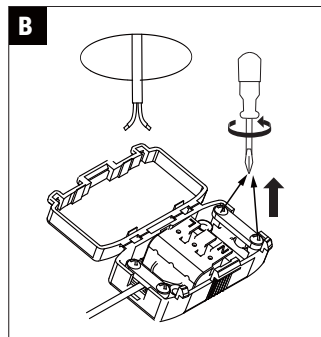
**A**

**Safety Instructions**  
Nr. 1, 4, 5, 7

off

item number	hole size
929.70_929.71	ø54mm
929.72_929.73	ø54mm
929.74_929.75	ø55mm

ø x mm



**C**

a. ø8-12mm 7mm 14mm

230V-

b.

Nr. 3, 4, 5, 6

230V-

