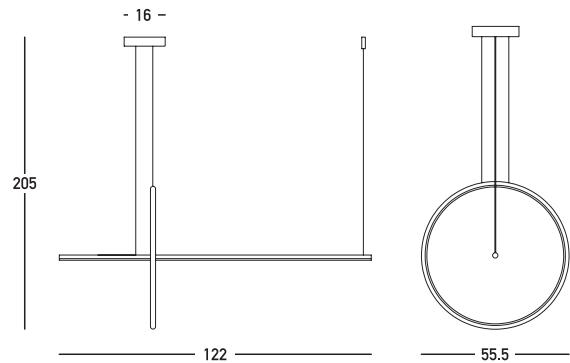
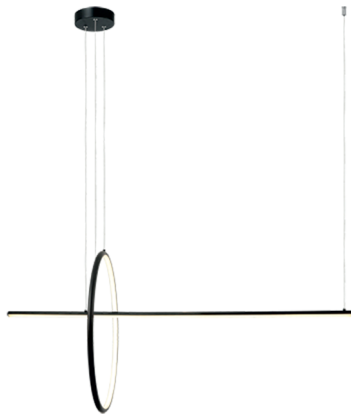


Product Data Sheet

Code 20128

Color: Black Matt

Date: 7/11/2025
Zambelis Lights



Physical Specifications

Luminaire Type	Indoor Pendant Lights
Color	Black Matt
Material	Aluminium - Acrylic
IP	20
Warranty	3 Years

Dimensions Reference

Overall Dimensions	Ø: 55.5cm W: 122cm H: 205cm
Base	Ø: 16cm H: 3.5cm
Profile	Ø: 2cm
Cable & Wires	150cm Cable Adjustable
Cutting Hole	None
Depth Required	None

Illumination Data

Color Temperature	3000K
Cri	80
Lumen Output	3720Lm
Beam Angle	360° in a sphere
UGR	N/A
Energy Efficiency Class	E
Indicative Lifetime	L70B50 36000h
Mc Adam	SDCM<3

Electrical Specifications

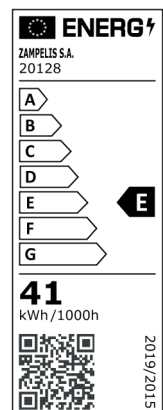
Input Voltage	220-240V
Operating Frequency	50/60Hz
Power	41W
Supply Current	1050mA
Voltage Compatibility	N/A
Light Source	LED Built in
Dimming Options	Triac
	Step Dimming 10%-40%-100%
Safety Class	I

Packing Info

Package Size	L: 127cm W: 60cm H: 10cm
Gross Weight	3.6kg

Product Description

Pendant LED Light 41W 3000K Triac Black Matt
Aluminium - Acrylic



www.zambelislights.gr | info@zambelislights.gr

