

Features

- START Downlight 5in1 is an integrated LED recessed / surface mounted downlight with built in non dimmable driver. Colour temperature (3000K, 4000K and 6500K) can be adjusted by a 3-way switch located on the back of the fixture. Adaptability to various cut-outs from 50mm to 125mm.

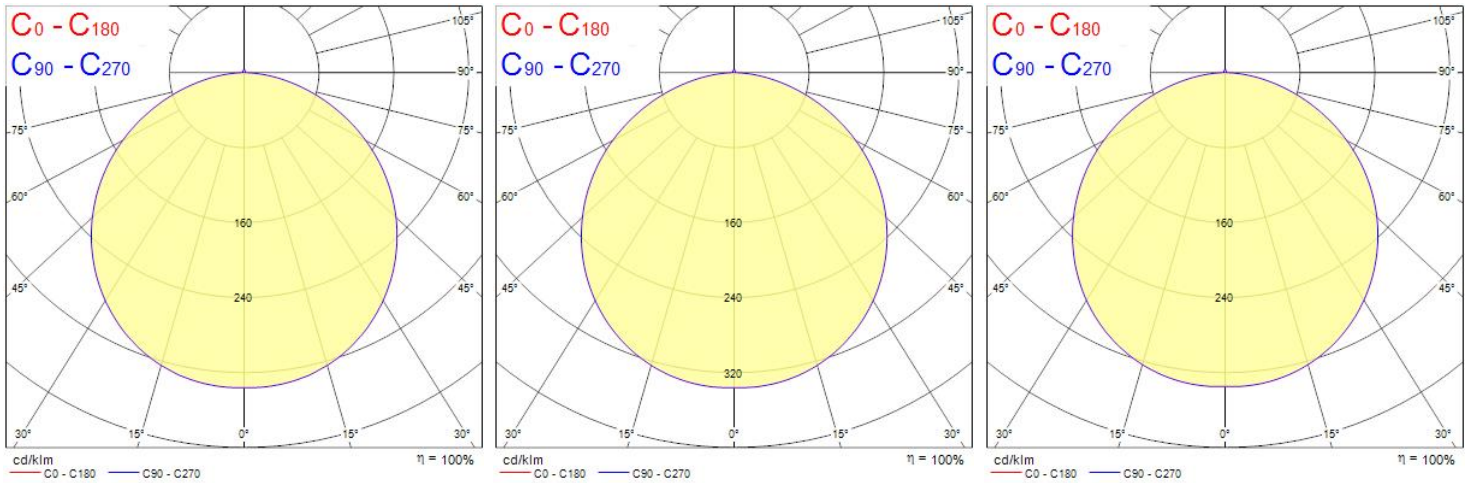
Product Overview

Product name	START Downlight 5IN1 50-125 1150LM
Technology	LED
Cap/Base	N/A
Housing	PC Polycarbonate
Mount	Ceiling recessed mounting, Ceiling surface mounting
General application	Residential & Consumer
ETIM Class	EC001744
Fixture luminous flux (lm)	1150
Luminaire efficacy (lm/W)	96
Colour temperature (K)	4000
Light colour	N/A
CRI (Ra)	80
Colour Variation Initial (SDCM)	6
Beam Angle (°)	110
Photobiological Risk Group	RG0
Total power consumption (W)	12
Electrical protection	Class II
Control gear type	LED driver constant current
Dimmable	No
Housing colour	RAL 9003 - Signal white

START Downlight 5IN1 50-125 1150LM 0053148

IP rating	IP20
IK rating	IK05
Product EAN number	5410288531489
Warranty	3 years

Photometry



Distance [m]	Cone diameter [m]	E _(0°) [lx]	E _(C0) [lx]	Beam Angle [°]	Efficiency [lm]
0.5	1.57	1430	111	57.5°	1596
1.0	3.14	358	28	57.5°	399
1.5	4.71	159	12	57.5°	177
2.0	6.28	89	7	57.5°	100
2.5	7.85	57	4	57.5°	64
3.0	9.42	40	3	57.5°	44

Distance [m] Cone diameter [m] Illuminance [lx]

— C₀ - C₁₈₀ (Half beam angle: 115.0°)

Distance [m]	Cone diameter [m]	E _(0°) [lx]	E _(C0) [lx]	Beam Angle [°]	Efficiency [lm]
0.5	1.56	1596	128	57.3°	1596
1.0	3.12	399	32	57.3°	399
1.5	4.67	177	14	57.3°	177
2.0	6.23	100	8	57.3°	100
2.5	7.79	64	5	57.3°	64
3.0	9.35	44	4	57.3°	44

Distance [m] Cone diameter [m] Illuminance [lx]

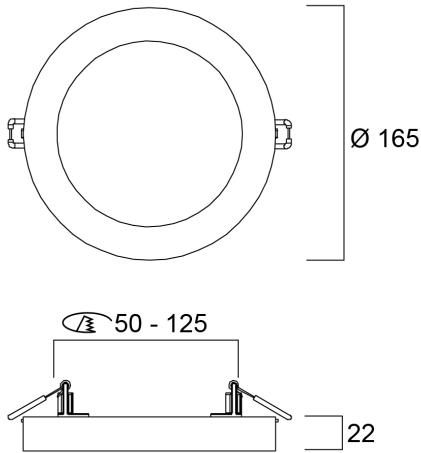
— C₀ - C₁₈₀ (Half beam angle: 114.6°)

Distance [m]	Cone diameter [m]	E _(0°) [lx]	E _(C0) [lx]	Beam Angle [°]	Efficiency [lm]
0.5	1.56	1512	120	57.3°	1512
1.0	3.12	378	30	57.3°	378
1.5	4.67	168	13	57.3°	168
2.0	6.23	94	7	57.3°	94
2.5	7.79	60	5	57.3°	60
3.0	9.35	42	3	57.3°	42

Distance [m] Cone diameter [m] Illuminance [lx]

— C₀ - C₁₈₀ (Half beam angle: 114.6°)

Technical drawings



Data table

GENERAL DATA

Product name	START Downlight 5IN1 50-125 1150LM
Technology	LED
Cap/Base	N/A
Housing	PC Polycarbonate
Mount	Ceiling recessed mounting, Ceiling surface mounting
General application	Residential & Consumer
Operating temperature range (°C)	-20°C - 40°C
ETIM Class	EC001744
Warranty	3 years

OPTICAL DATA

Fixture luminous flux (lm)	1150
Luminaire efficacy (lm/W)	96
Colour temperature (K)	4000
Correlated colour temperature range (K)	3000 - 6500

START Downlight 5IN1 50-125 1150LM 0053148

Light colour	N/A
CRI (Ra)	80
Colour Variation Initial (SDCM)	6
Beam Angle (°)	110
Distribution type	Symmetric
Photobiological Risk Group	RG0

ELECTRICAL DATA

Total power consumption (W)	12
Mains voltage (V)	220-240V~
Lamp power factor	0.7
THD (at 230 V, 50 Hz, full load, at 100% dimming level) ≤ xx.x %	85.0
Electrical protection	Class II
Control gear required	No
Control gear type	LED driver constant current
Dimmable	No
Drive current (mA)	36
Glow Wire Test (°C)	650
Energy Efficiency Class (A->G) of contained light source	F
Nominal Frequency (Hz)	50/60Hz
Max. Luminaires per 16A C Breaker	119
Max. Luminaires per 16A B Breaker	70

PHYSICAL DATA

Housing colour	RAL 9003 - Signal white
IP rating	IP20
IK rating	IK05
Diffuser finish	Opal
Diffuser material	PC Polycarbonate
Reflector finish	White
Nominal Product Height (mm)	22
Nominal Product Diameter (mm)	165

START Downlight 5IN1 50-125 1150LM 0053148

Weight (kg)	0.269
-------------	-------

PACKAGING

Single packaging type	Carton
Product EAN number	5410288531489
Packaging single length / height (cm)	18.3
Packaging single width (cm)	4.3
Packaging single depth (cm)	17.0
DUN14 (outer)	15410288531486
Units per outer package	14
Packaging outer length / height (cm)	38.1
Packaging outer width (cm)	32.1
Packaging outer depth (cm)	19.5

SAFETY DATA

Optimal operating condition (°C)	-20-40
Special purpose lamp	No
Dry applications use only	No
Suitable for household illumination	No