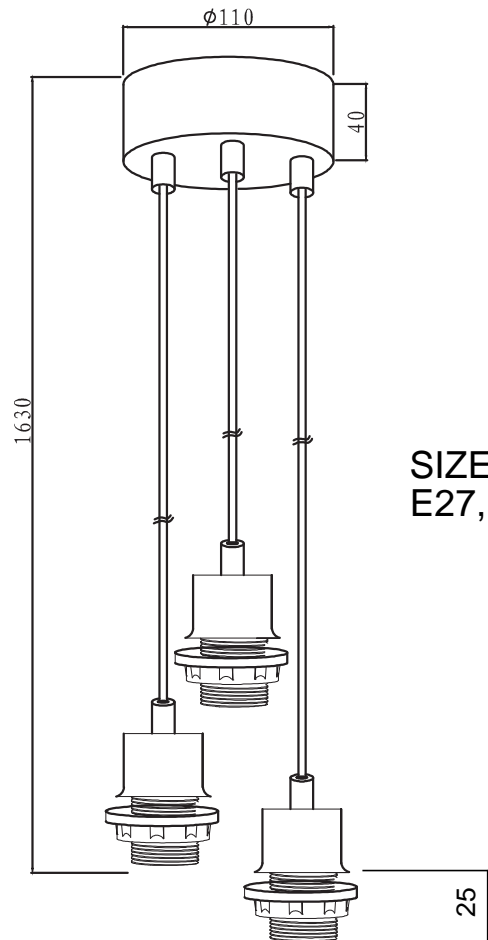
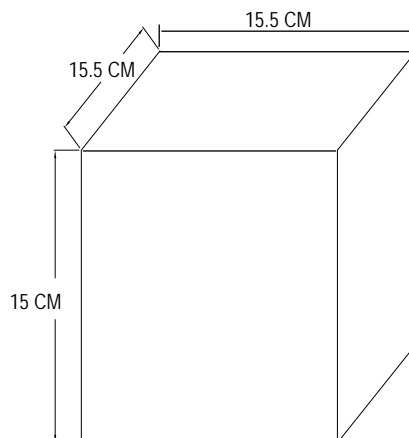


HANGING SYSTEM FOR 3 LAMP  
( GM0020-H3-WB )



SIZE: Max.163cm H  
E27, Max.3x40W or 3x8W CFL



PACKING DETAILS

Box size: 15.5 x 15.5 x 15 CM  
Total cbm: 0.0036  
G.W.: 0.83 KGS  
N.W.: 0.72 KGS  
Number of boxes: 1 PC