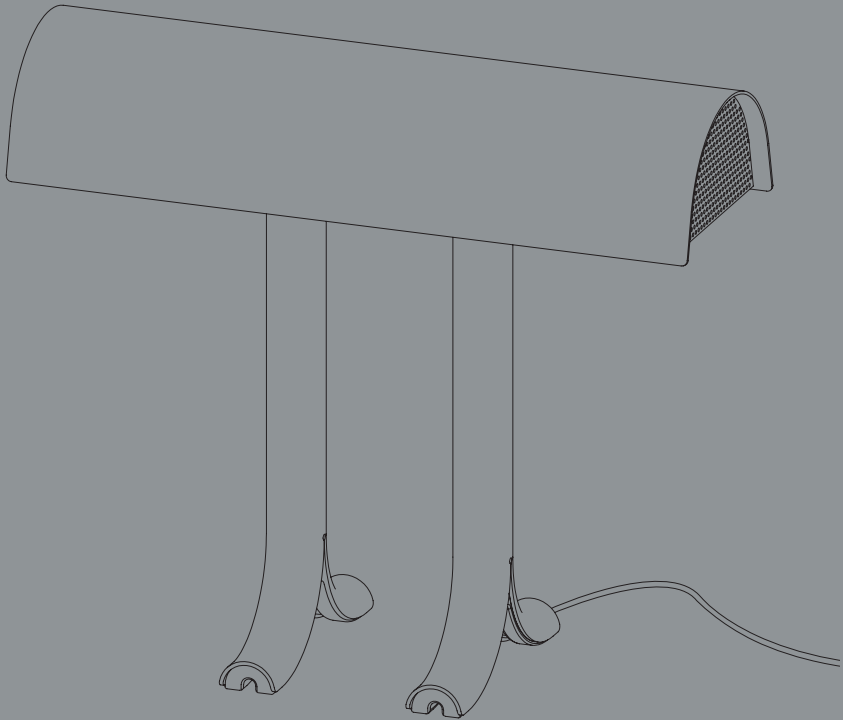


- INSTRUCTION MANUAL -

# ANAGRAM TABLE LAMP



DESIGN BY SAM WELLER

**HAY**



- GENERAL INFORMATION -

TECHNICAL DATA

This product is fitted with two E14 (EU) or E12 (US) bulb fittings. HAY recommends using this product with LED bulbs.

FITTING TYPE | LED E14 (EU) or LED E12 (US)

POWER (W) | 5-8W

COLOUR TEMPERATURE | Warm white.

HAY will not accept any responsibility for any accidents, injuries or damages that occur due to the use of incorrect bulbs.

ATTENTION

Ensure that the power supply to the circuit has clearly been turned OFF before installing the product. In some countries, electrical installation must be carried out by authorised electricians/contractors; please check with your local authority for guidance.

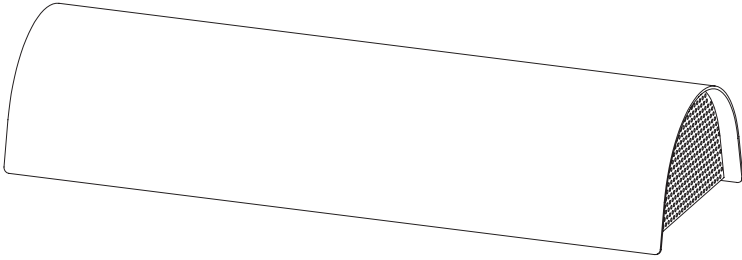
The product must not be modified in any way. HAY accepts no responsibility for any products that have been modified or tampered with. If the external flexible cable or cord of this luminaire is damaged, it should be exclusively replaced by a qualified electrician in order to avoid an electrical hazard. This lamp is designed for indoor use only.

CARE AND MAINTENANCE

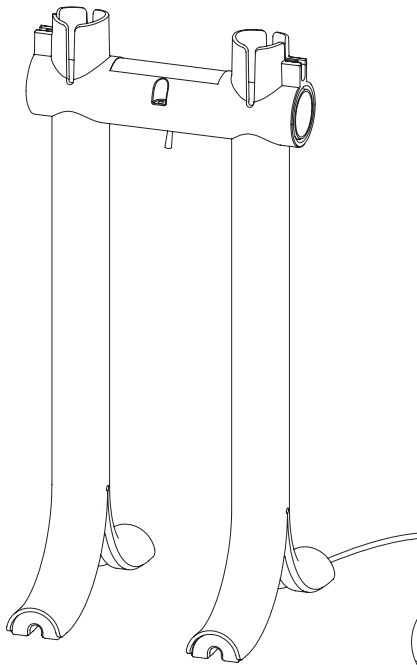
The product can be cleaned with a soft damp cloth and mild detergent, or a dry microfibre cloth. Do not use alcohol or any other solvents to clean the product and avoid using abrasive or rough sponges. Ensure that the power supply has been turned OFF before cleaning the product.



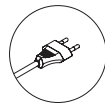
- PARTS -



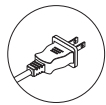
Shade



Body



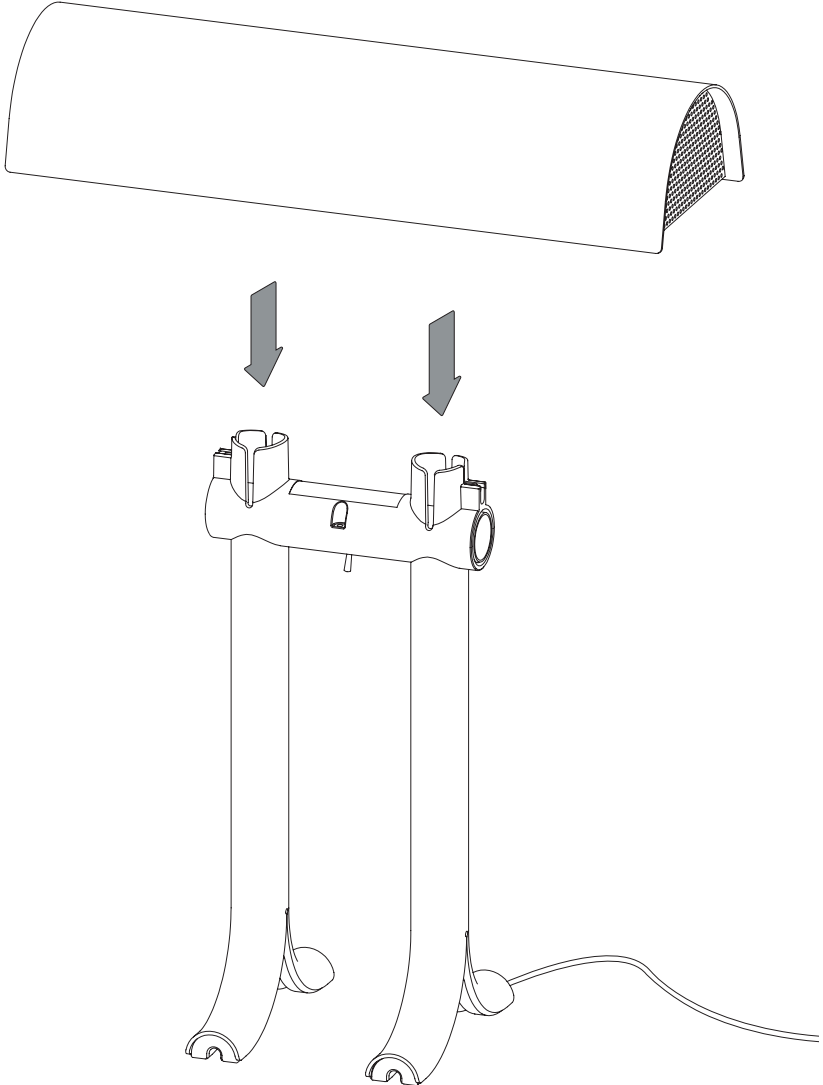
EU Plug



US Plug

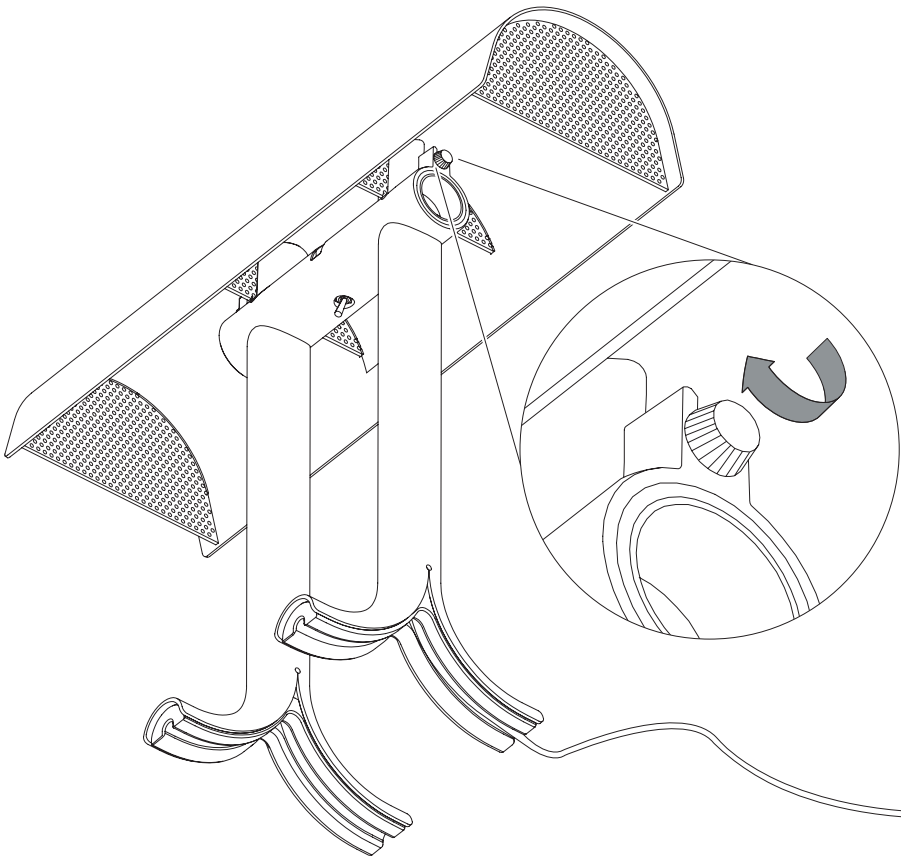
1.

Unpack all the parts and check that you have received all the parts listed. Begin by placing the lamp body on a flat surface. Place the shade on top of the lamp body, aligning the two thumb screws in the shade with the corresponding guiding slots in the lamp body as pictured below.



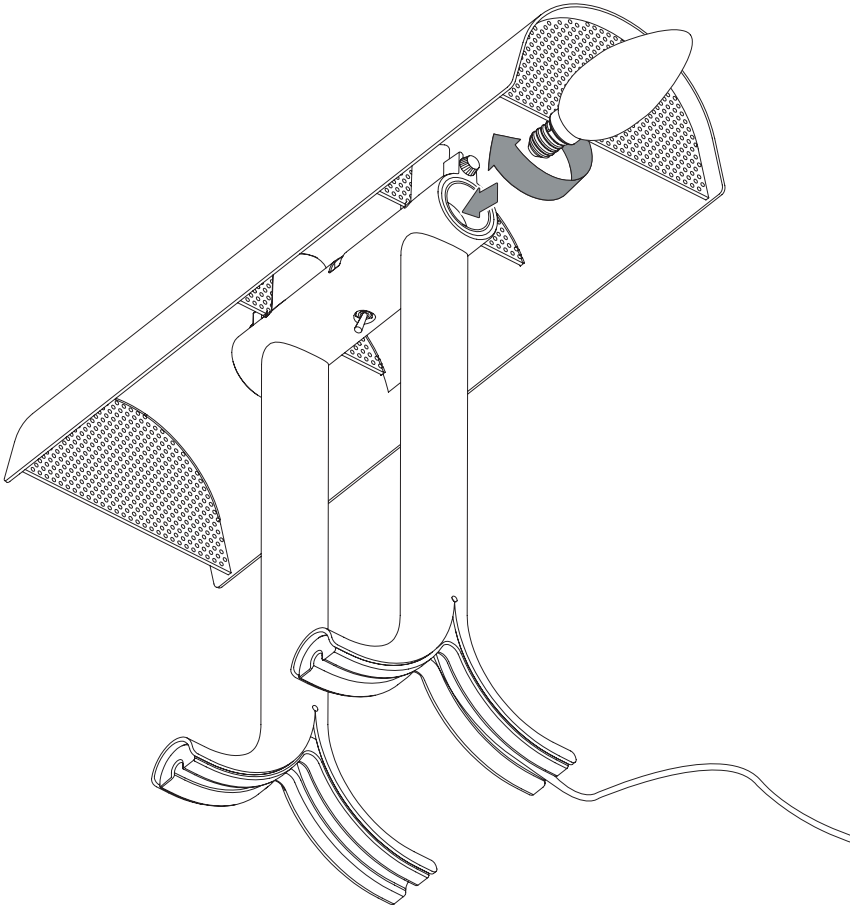
2.

Once the shade is resting on top of the lamp body, tighten the two thumb screws underneath the shade to attach it to the lamp body. Do not overtighten but make sure that the shade is properly fastened to the lamp body.



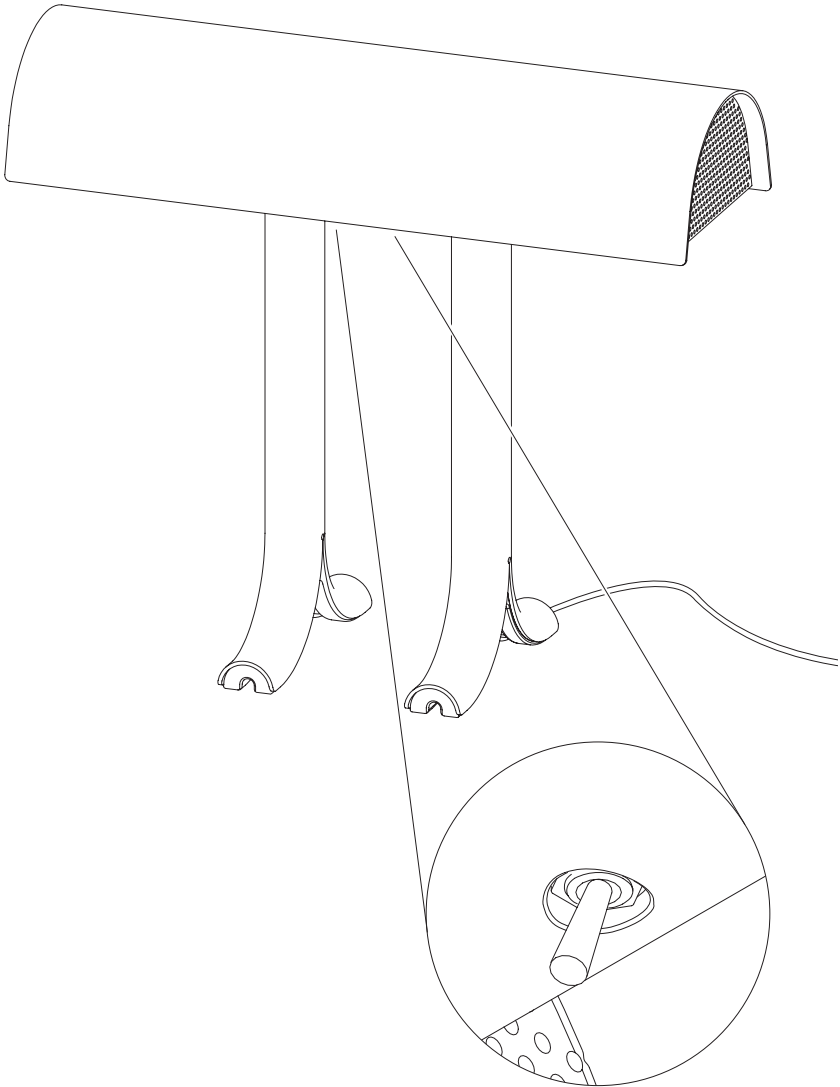
3.

Insert two E14 (EU) or two E12 (US) LED bulbs into the fittings.



4.

Plug the cable into a power outlet. Use the toggle switch, centred under the shade, to turn the lamp on. The lamp is now ready to use.

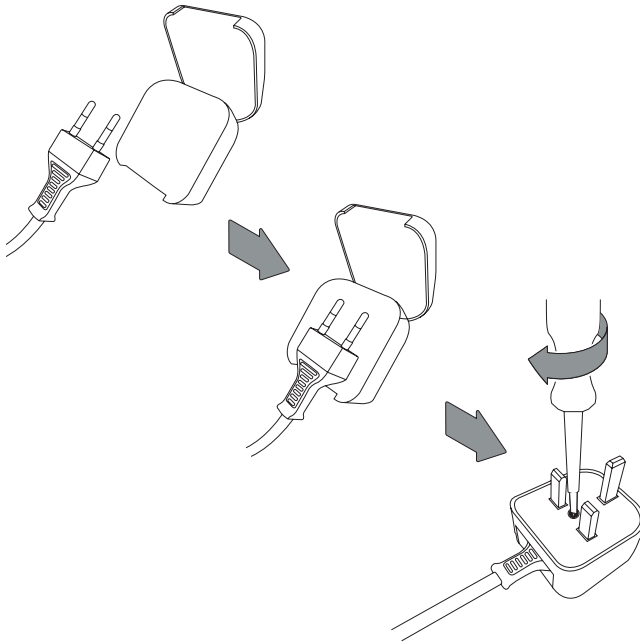




- UK CUSTOMERS ONLY -

For UK customers, a plug converter will be supplied. If not included, please contact the HAY retailer from where the lamp was purchased.

Insert the EU plug into the converter provided. Close the converter over the EU plug with the pins secured in the internal spring clip contacts. Screw the converter together to ensure the UK plug is secure.



- CARE & MAINTENANCE -

Our Care & Maintenance offers guidance for optimal maintenance of your HAY product. It includes advice and instructions on cleaning and caring for specific materials to prolong the life of your lighting.



Please find our Care & Maintenance guide by scanning the QR code



You can find more relevant information on Anagram Table Lamp by scanning the QR code

You can also find the same information here  
[hay.dk/downloads](http://hay.dk/downloads)



Havnen 1 8700 Horsens Denmark  
+45 4282 0282 / hay@hay.com

[www.hay.com](http://www.hay.com)

16/12/2021

**HAY**