


## INSTALLATION MANUAL EN

A qualified person may be required for installation.

The product can be used outdoors if the symbol on the light is IP44 or IP54. In other cases, the product should only be used indoors. A lamp that uses wooden elements may only be installed in heated rooms.

It is recommended to use a 3 x 1.5mm<sup>2</sup> YDY power cord in a double cover.

### Assembly:

1. Disconnect the power supply.
2. Strip 6 mm of the power supply cables and feed them through the grommet grommet of the metal base.
3. Pull the base out of the bracket by sliding as shown in Figure 1.
4. Screw the base to the base with the appropriately selected screws.
5. Connect the power wires to the appropriate marked terminals on the plug - live (L) brown and neutral (N) blue. Picture 2.
6. Connect the protective earth wire (green-yellow) to the protective terminal marked with the symbol  on the metal base inside the housing
7. Slide the light onto the base so that the pins fit into the mounting holes. Move the light in the right direction - Figure 3.

### Maintenance:

Work related to maintenance and bulb replacement should be performed with the power disconnected and after waiting for the bulb to cool down. After disassembling and disconnecting the power supply, clean the lampshade with a soft cloth.

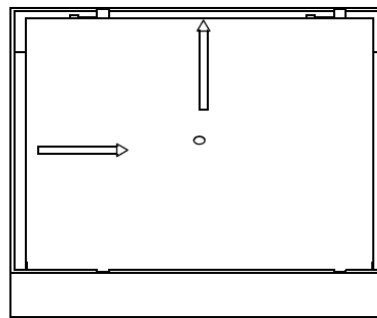
2 year guarantee:

1. The warranty extends over a period of 2 years from the date of purchase in Poland and is only valid with proof of purchase - receipt or invoice.
2. The warranty does not cover damage caused by power surges, lightning strikes and mechanical damage.
3. The warranty is only valid if the fitting has been manufactured by a person with appropriate electrical rights and includes repair or replacement of the product for one free from defects or a refund of the amount paid.
4. If a defect is found, the product must be sent to the following address: Temar sp. z o.o. 39-300 Mielec, ul. Inwestorów 12 or back to the place of purchase. The repair should not take longer than 14 working days.
5. The guarantee does not exclude, limit or suspend the buyer's rights under the provisions of the guarantee for defects in the item sold.

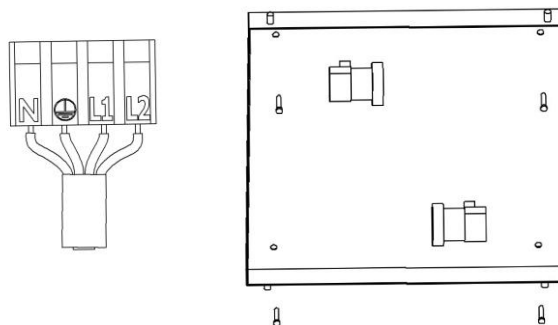


 - selective collection of electronic devices

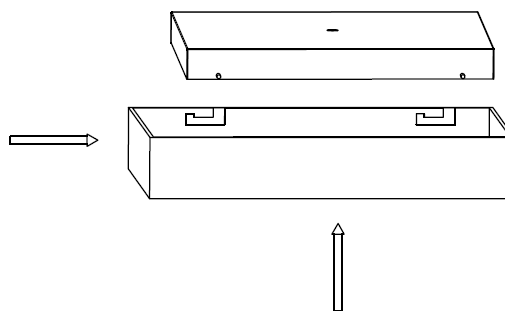
1



2



3



|  |  |
|--|--|
|  |  |
|--|--|