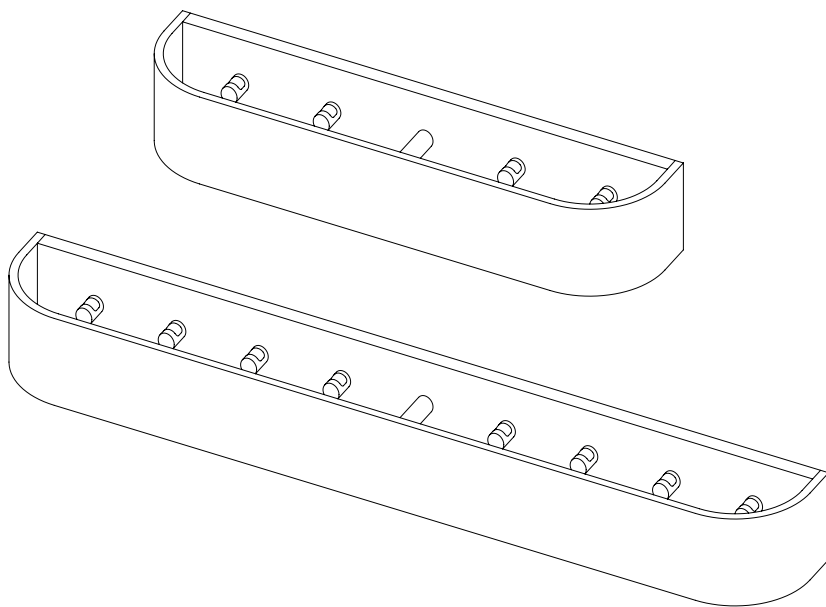


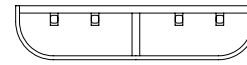
Audo

EPOCH RACK 50 & 79
Designed by *Nina Bruun*

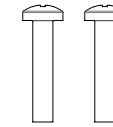
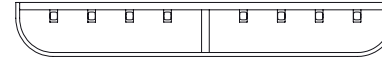


COPENHAGEN

Component overview



1 x Epoch Rack 50 or 79

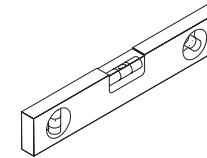


2 x Screws

Congratulations on your new EPOCH RACK by *Nina Bruun*. We hope you will enjoy using this item and follow these instructions to ensure correct installation. These instructions are provided for your safety.

It is important that the instructions are read carefully and completely before assembling.

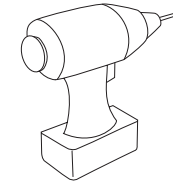
Tools Needed



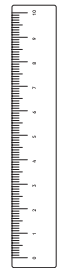
1 x Spirit Level



1 x Pencil



1 x Driller



1 x Ruller

Caution

Use screws and wall plugs that are suitable for the walls in your home. If you are uncertain as to which types of screws/wall plugs to use, you should ask your DIY store.

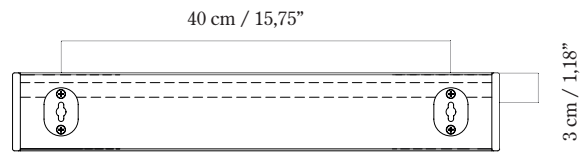
If the Epoch Rack is mounted according to the assembly instruction and the recommendations of screws and wall plugs, Epoch Rack 50 can handle up to 16 kg and Epoch Rack 79 can handle up to 32 kg

Care and maintenance

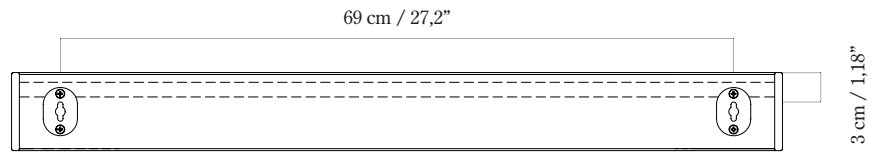
Please see care instructions on www.audocph.com.

1

EPOCH RACK, 50

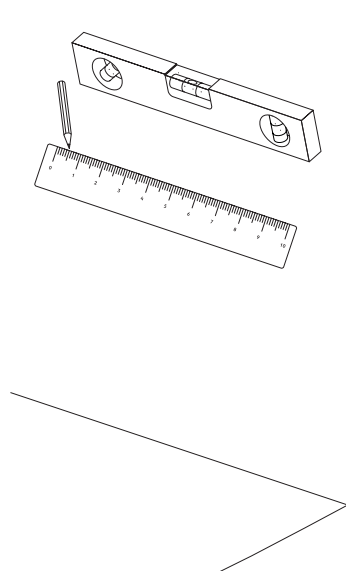


EPOCH RACK, 79

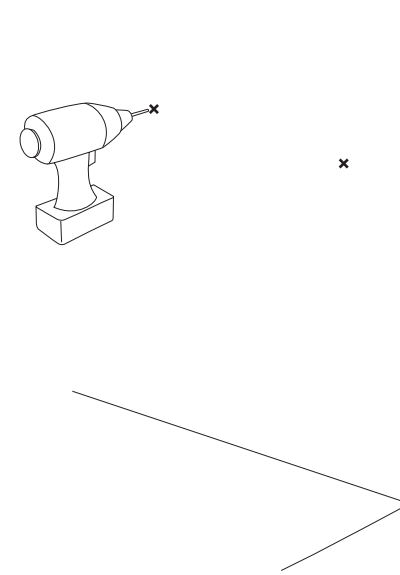


2

Mark the hole distance and ensure the holes are in level before drilling.



3



4

