



CARE INSTRUCTIONS

Daily cleaning can be done by wiping the frame with a clean dry cloth. Should the surface need more attention this can be cleaned with water and a light detergent or soap applied with a damp cloth. Wipe after with a clean dry cloth. Avoid any abrasive materials.

TROUBLESHOOTING

If lamp does not light, turn off the power. Check the bulb for a broken filament. Replace bulb if necessary, then turn it on. If the lamp still does not light, please contact customer service at the local dealer. If the external flexible cable or cord of this lamp is damaged, it must be replaced by a qualified electrician in order to avoid a hazard.



For enquiries contact GUBI A/S - CVR: 17940384
Klubiensvej 7-9, 2150 Nordhavn, Copenhagen, Denmark
T +45 69 15 60 60 – order@gubi.com
GUBI.COM

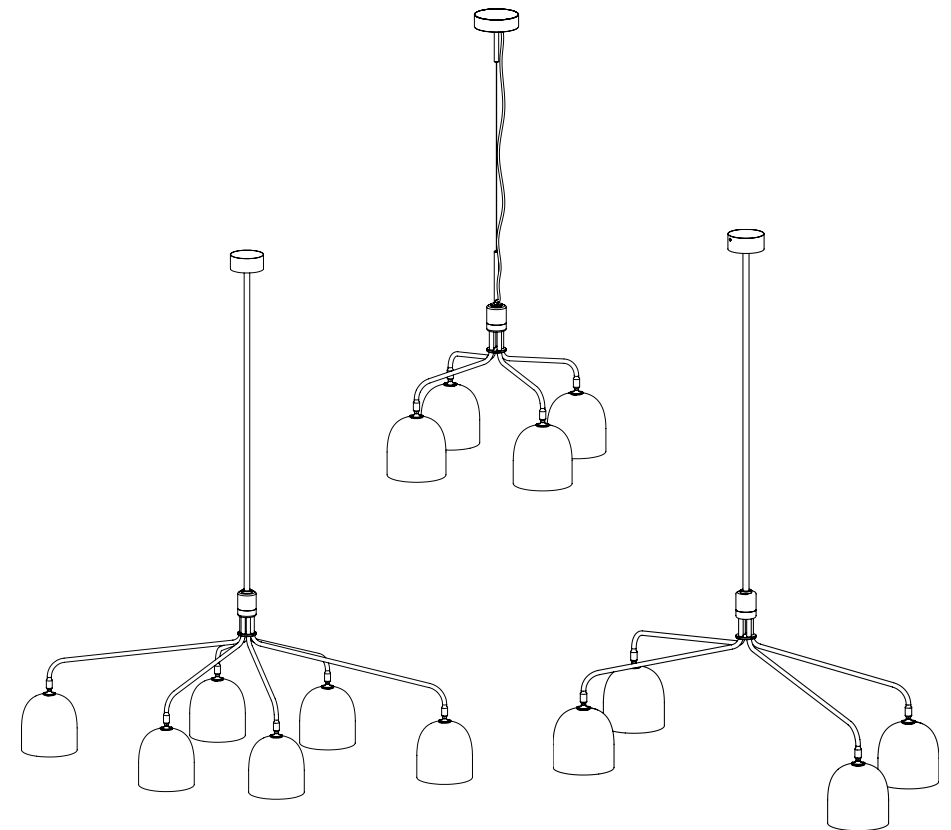
138-20-004-01 Howard Chandelier - Adjusting Direction

GUBI

ASSEMBLY INSTRUCTIONS

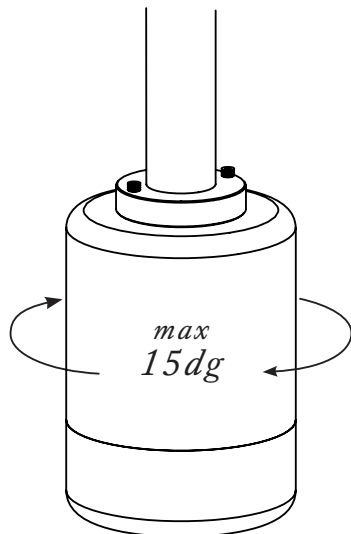
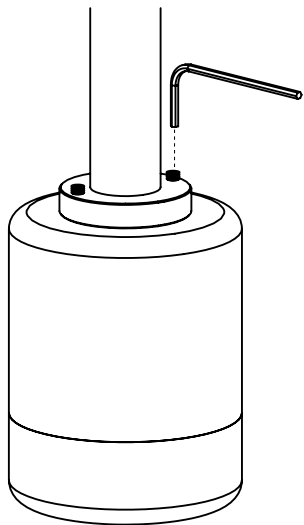
for

Howard Chandeliers Adjusting Direction

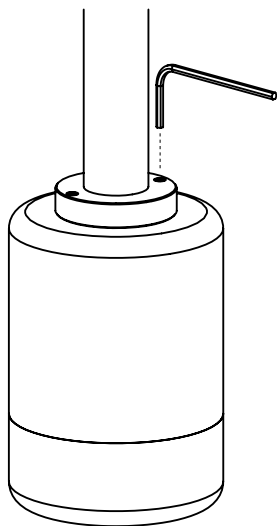


Adjusting lamp base

- 1) Using the allen key, slightly loosen the two set screws on the pendant tube
- 2) While holding the pendant tube, rotate the base counter clockwise. Do not exceed 15 degrees of rotation



- 3) Using the allen key, re-tighten the set screws firmly



Adjusting ceiling bracket

- 1) Unscrew the two machine screws on either side of the canopy
- 2) Slightly loosen the two wood screws in the ceiling bracket. Once loosened, adjust the direction of the ceiling bracket to the desired angle, before tightening the wood screws again

