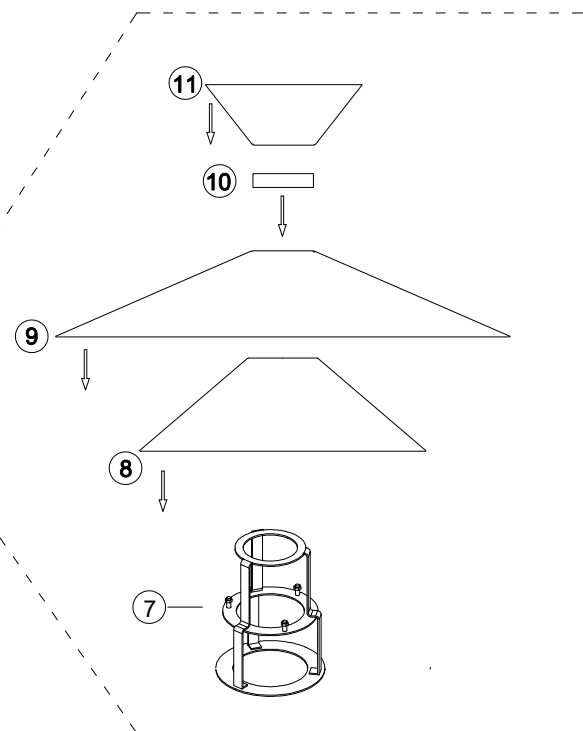
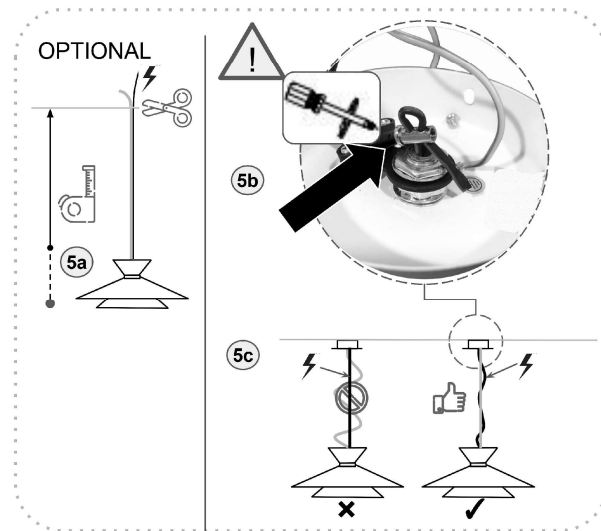
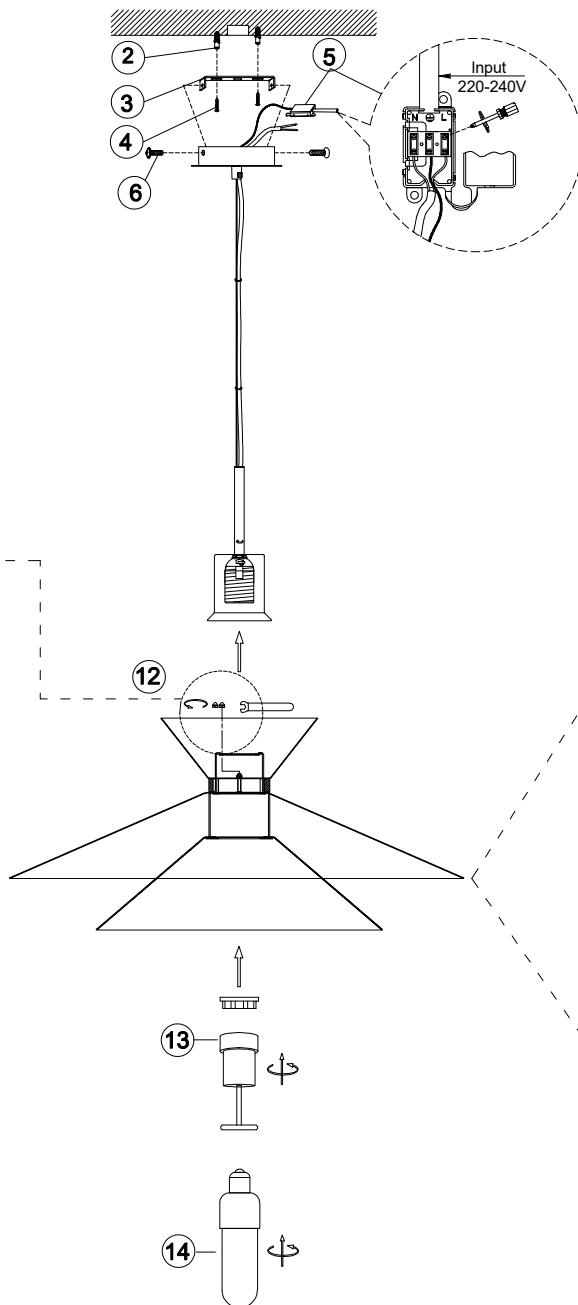
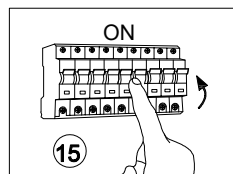
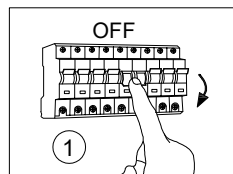


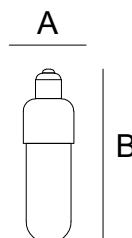
# miloox®

Model: 1744.294



Imported from Miloox  
 a brand of Sforzin Illuminazione  
 Viale dell' Industria, 21  
 20037 PADERNO DUGNANO - MILANO - ITALY  
 MADE IN CHINA

DESIGN: ARCH. DAVIDE NEGRI



TYPE: E27 LED  
 1 x MAX 28W

220~240V 50/60Hz

A max : Ø55mm  
 B max height: 200mm

www.miloox.com