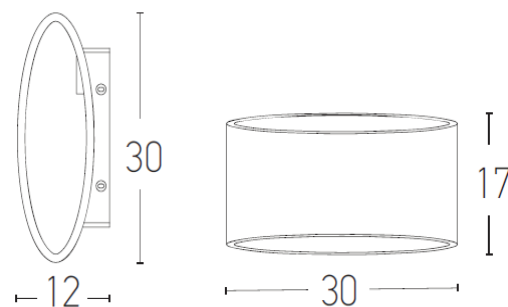


Indoor Lighting

180020

Wall Light

Bulb:	1xE27 MAX 40W
Voltage:	220-240V
Operating Frequency:	50/60HZ
IP:	IP20
Class:	I
Color:	Concrete
Material:	Concrete
Height:	17 cm
Width:	12 cm
Length:	30 cm
Net Weight:	2.35 kg



Description

Wall up-down light made by concrete.

E27
LAMP



5213007830005



PRODUCT DATA SHEET