

**QUOIZEL**  
 8 CORPORATE PARKWAY  
 GOOSE CREEK, S.C. 29445  
 www.quoiseled.com

## Assembly Instruction Sheet #IS-UPGO5004IS For Style UPGO5004IS

**Tools Required:** Flathead screwdriver, Phillips screwdriver, pliers, wirecutters, wire strippers, electrical tape, safety glasses.

**Bulb Recommended:** (4) Frosted G9 Halogen **40W** (Maximum (supplied))

**Estimated Assembly Time:** 30-45 minutes

**Preparation:** Identify and inspect all parts before beginning installation. Check package content list and diagrams below to be sure all parts are present. If any parts are missing or damaged, do not attempt to assemble, install, or operate the fixture. Contact customer service for replacement parts.

Elstead Lighting Ltd  
 Elstead House,  
 Mill Lane, Alton,  
 Hampshire  
 GU34 2JU  
 Customer Service  
 T: +44 (0)1420 82377.  
 www.elsteadlighting.com



### Warnings and Cautions

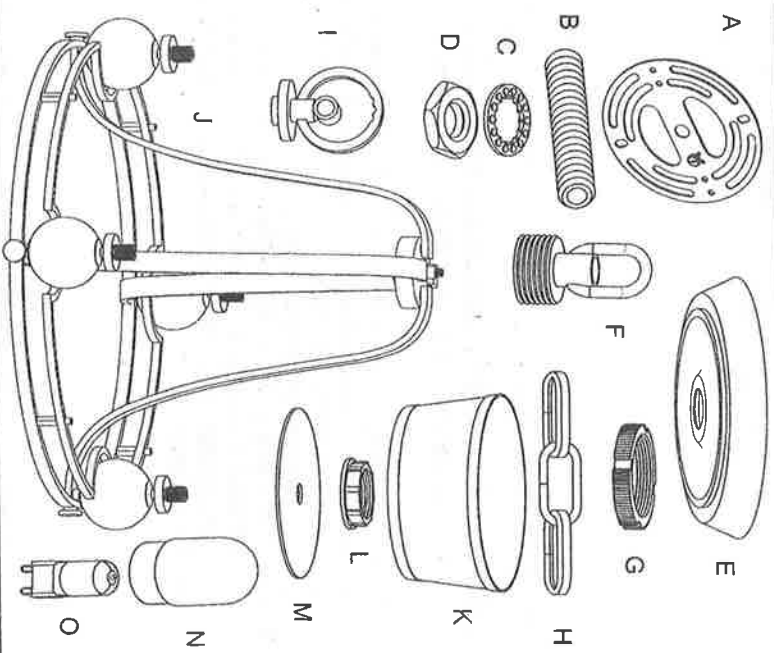
Turn off electricity at circuit breaker or main fuse box before installation. Consult a licensed electrician if in doubt. These instructions are provided for your safety. It is very important you read them completely before installing the fixture. We strongly recommend that a licensed, professional electrician perform the installation.

Disconnect fixture from power source before replacing bulbs. Make sure bulbs are given sufficient time to cool before removal. Do not subject glass parts to any shock while in operation or shattering may result.

Do not touch the bulb with bare hands use a cloth or glove.

### Package Contents

Part	Description	Quantity
A	Crossbar	1 pc.
B	Nipple	1 pc.
C	Lock Washer	2 pcs.
D	Hex Nut	2 pcs.
E	Ceiling Canopy	1 pc.
F	Canopy Chain Loop	1 pc.
G	Canopy Lock Ring	1 pc.
H	Fixture Chain	1 pc.
I	Fixture Loop	1 pc.
J	Socket Assembly	1 pc.
K	Shade	4 pcs.
L	Socket Collar	4 pcs.
M	Diffuser	4 pcs.
N	Bulb Shield	4 pcs.
O	G9 Bulb	4 pcs.

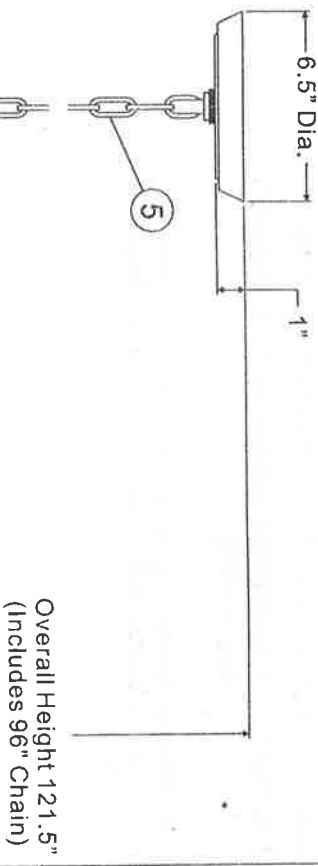
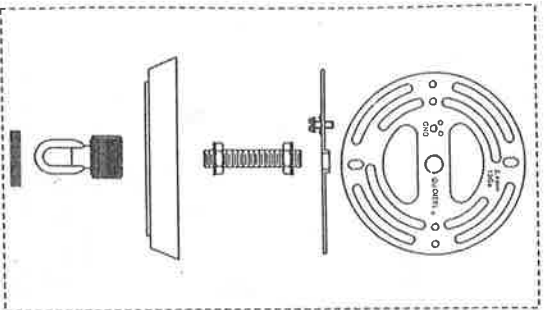


Thank you for purchasing a Quoizel product

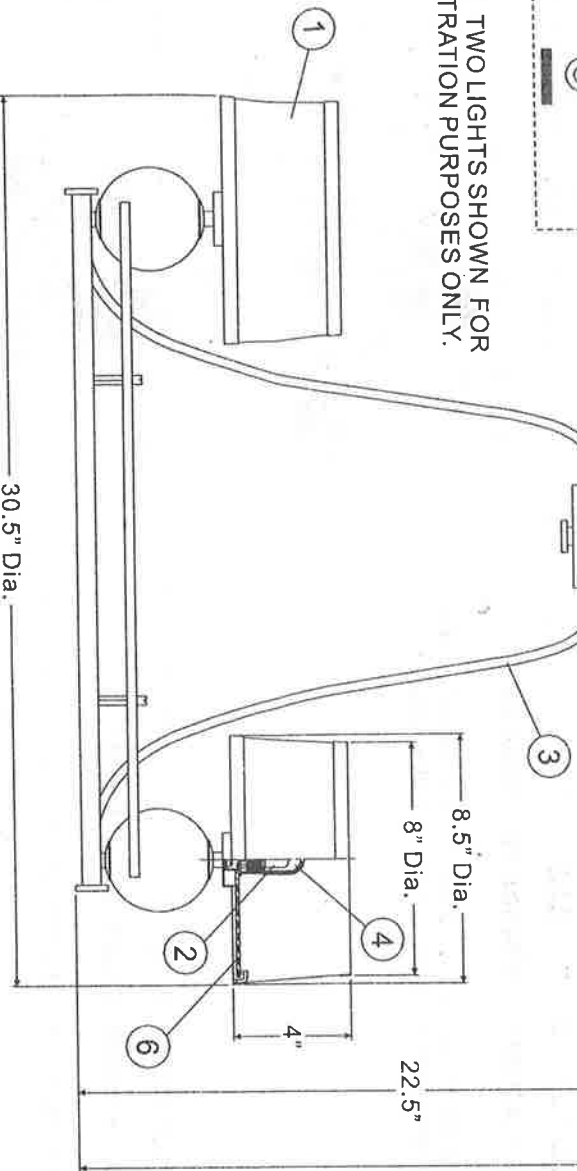
Need assistance with parts or assembly? Call our customer service at +44(0) 1420 82377 or visit us at [www.elsteadlighting.com](http://www.elsteadlighting.com)

UPGO50041S

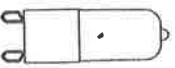
FINISH: IMPERIAL SILVER



NOTE: TWO LIGHTS SHOWN FOR ILLUSTRATION PURPOSES ONLY.



(4) 40W Frosted G9 Halogen Bulbs (Supplied)



NOTE: ALL DIMENSIONS ARE ROUNDED UP TO THE NEAREST 1/2"

NO.	PART NUMBER	REPLACEMENT PART DESCRIPTION	REQ.
1	S1444BK	BLACK FABRIC SHADE	4
2	I828SF	BULB 130V 75W HALOGEN G9 FROSTED	4
3	150041SUPGO	BASE IMPERIAL SILVER UPGO50041S	1
4	G2641BS	BULB SHIELD GLASS 1"D X 2"H	4
5	M2381CHIS	CHAIN 4 MM SQ - 4' IMPERIAL SILVER	1
6	G3438DI	TEMPERED GLASS DIFFUSER	4

**STEP 1 – Assemble Fixture Loop to Socket Assembly**

- A. Thread Fixture Loop (I) onto the nipple on the top center of the Socket Assembly (J). Hand tighten until snug.

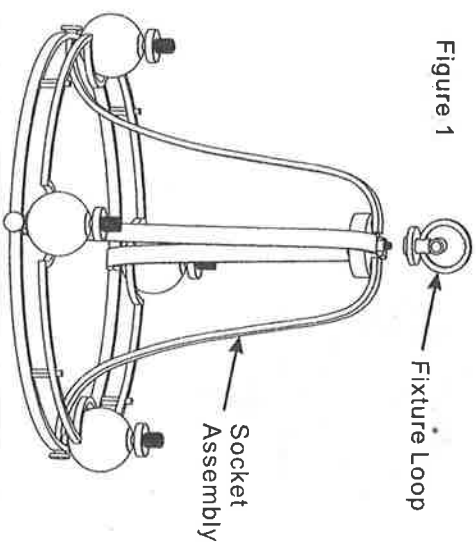


Figure 1

**STEP 2 – Attach Crossbar to Outlet Box**

- A. Secure the Crossbar (A) to the outlet box with outlet box screws (not supplied). Tighten until snug.

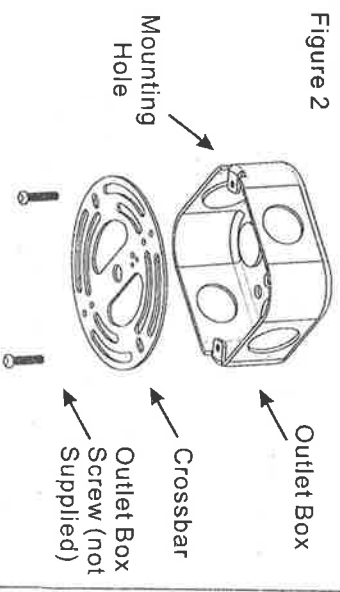


Figure 2

**STEP 3 – Attach Nipple to Crossbar**

- A. Thread one Hex Nut (D) onto the top end of the Nipple (B).  
B. Place one Lock Washer (C) over the top end of the Nipple (B) and then thread the Nipple (B) into the center lock hole of the Crossbar (A).  
C. Using pliers, thread the Hex Nut (D) against the Crossbar (A) and hand tighten until snug.

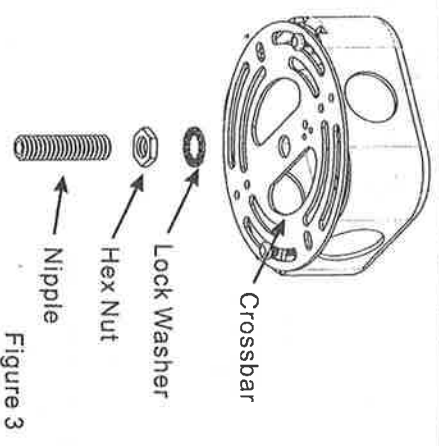


Figure 3

Thank you for purchasing a Quoizel product

Need assistance with parts or assembly? Call our customer service at +44(0) 1420 82377 or visit us at [www.elsteadlighting.com](http://www.elsteadlighting.com)

## Assembly Instruction Sheet #IS-UPGO5004IS For Style UPGO5004IS

### STEP 9 – Attach Shade and Diffuser

- A. Place the Diffuser (M) over the Socket with Sandblasted surface upward and secure with the Socket Collar (L). Hand tighten until snug.
- B. Seat the Shade (K) onto the Diffuser (M).

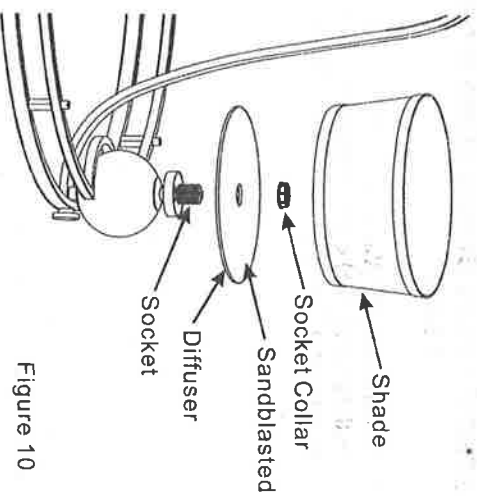


Figure 10

### STEP 10 – Install Bulb and Bulb Shield

- A. This fixture uses Frosted G9 Halogen Bulbs (supplied). Maximum **40** watts.
- B. Insert bulb and seat properly into place.
- C. Screw Bulb Shield (N) onto the Socket and hand tighten until snug.

**IMPORTANT:** Do not touch the bulb with bare hands use a cloth or glove.

Your fixture is now assembled and ready to use. Enjoy!

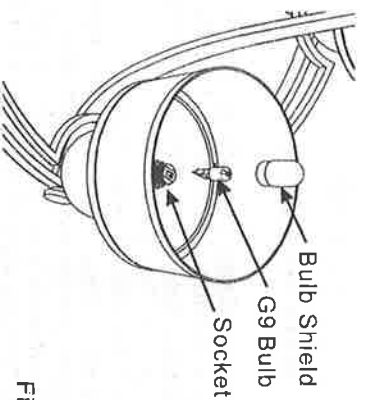


Figure 11

### CAUTION FOR BULB REPLACING

- A. When replace bulb, turn off power and allow lamp to cool. For safety purpose, wear gloves and eye protection.
- B. If bulb is scratched or cracked, **DO NOT** use the lamp to avoid breakage during use or installation.
- C. Use only in fixtures rated for lamps wattage and voltage.
- D. Lamp operate under high pressure generating intense heat. Prevent contact with liquid and combustible materials.

Thank you for purchasing a Quoizel product

Need assistance with parts or assembly? Call our customer service at +44(0) 1420 82377 or visit us at [www.elsteadlighting.com](http://www.elsteadlighting.com)

### STEP 7 - Pass Supply Wires through Fixture Chain

- A. Pull the Supply Wires and Ground Wire up through the Fixture Chain (H) alternating links. Push the wires up through the Canopy Chain Loop (F) into the outlet box.

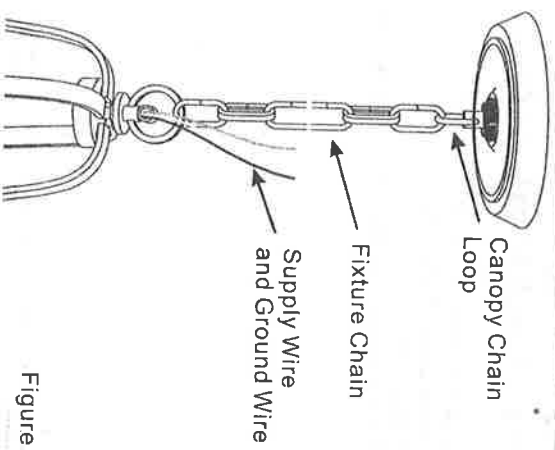


Figure 7

### STEP 8 - Make Wire Connections

- A. Un-thread the Canopy Lock Ring (G) and slide Canopy Lock Ring (G) and Ceiling Canopy (E) down the Fixture Chain (H).
- B. Push all slack fixture wire through Canopy Chain Loop (F) into Outlet Box. Trim excess fixture wire leaving a minimum of 6 inch. Hanging out of the Outlet Box.
- C. Use standard wire connectors to make all wire connections. (Connectors are not included with fixture.) Strip and prepare wire ends according to instructions supplied with connectors.
- D. Connect White Supply Wire from the Outlet Box to White Wire from fixture.
- E. Connect Black (or Red) Supply Wire from the Outlet Box to Black Wire from fixture.
- F. Connect Ground Wire from the Outlet Box to Ground Wire from fixture.
- G. Twist connectors until wires are tightly joined together.
- H. Wrap each connection with approved electrical tape and carefully stuff all the connected wires into the Outlet Box.
- G. Re-attach the Ceiling Canopy (E) as shown in Step 5.

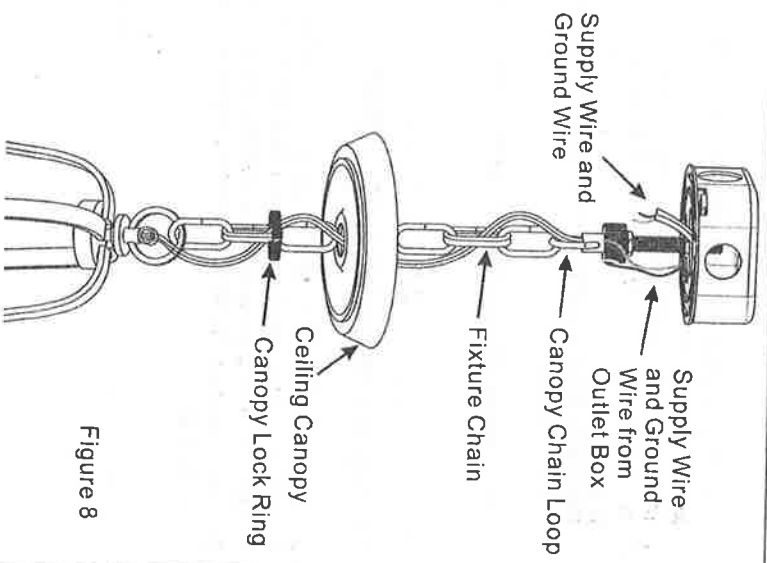


Figure 8

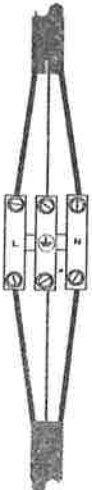


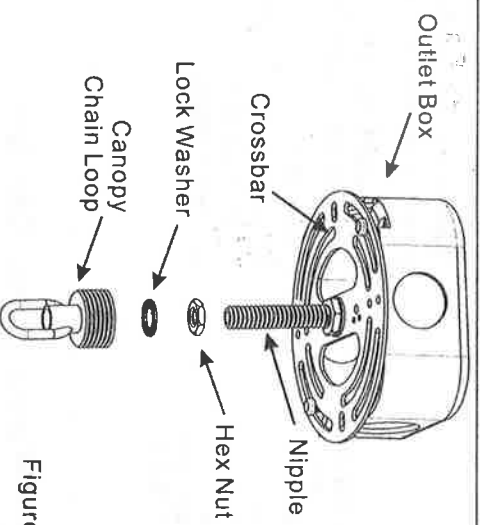
Figure 9

Thank you for purchasing a Quoizel product

Need assistance with parts or assembly? Call our customer service at +44(0) 1420 82377 or visit us at [www.elesteadlighting.com](http://www.elesteadlighting.com)

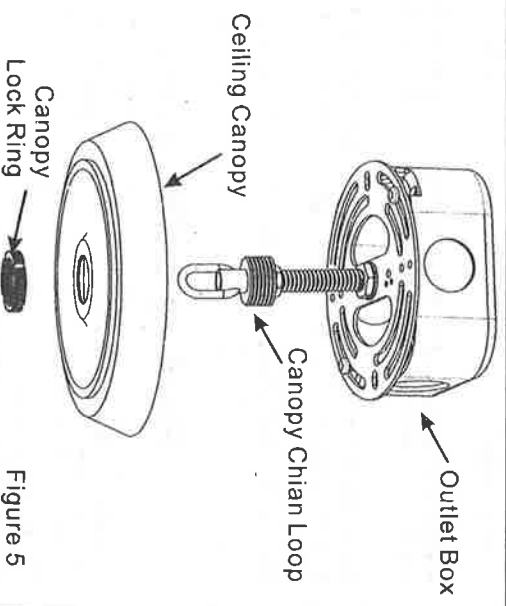
## Assembly Instruction Sheet #IS-UPGO5004IS For Style UPGO5004IS

- STEP 4 - Attach Canopy Chain Loop to Nipple**
- A. Thread another Hex Nut (D) onto the end of the Nipple (B).
  - B. Place the Lock Washer (C) over the end of the Nipple (B) and then thread the Canopy Chain Loop (F) onto the end of the Nipple (B).
  - C. Using pliers, thread the Hex Nut (D) against the Canopy Chain Loop (F) and hand tighten until snug.



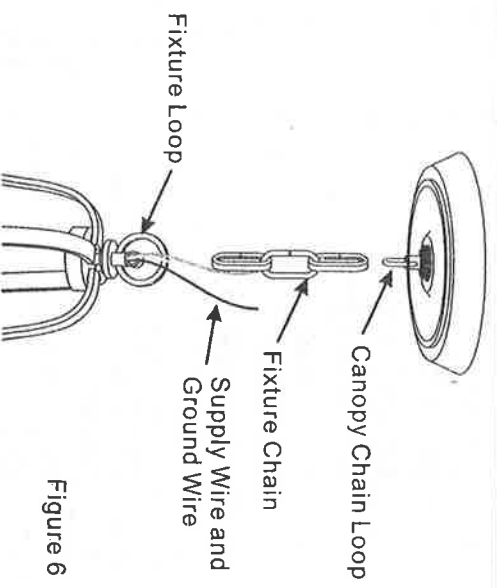
**STEP 5 - Assemble Ceiling Canopy**

- A. Push the Ceiling Canopy (E) upward over the Outlet Box. Thread the Canopy Lock Ring (G) onto the Canopy Chain Loop (F) and tighten until snug to secure the Ceiling Canopy (E).



**STEP 6 - Attach Fixture Chain to Canopy Chain Loop and Fixture Loop**

- A. Adjust the Fixture Chain (H) to your desired length by removing the links if needed. You may need to use plier to open the chain links. If so, put a cloth over the chain to protect the finish from the pliers.
- B. Attach one end of the Fixture Chain (H) onto the Canopy Chain Loop (F) and then attach the other end of the Fixture Chain (H) onto the Fixture Loop (M) on the top of the fixture.



Thank you for purchasing a Quoizel product

Need assistance with parts or assembly? Call our customer service at +44(0) 1420 82377 or visit us at [www.elsteadlighting.com](http://www.elsteadlighting.com)